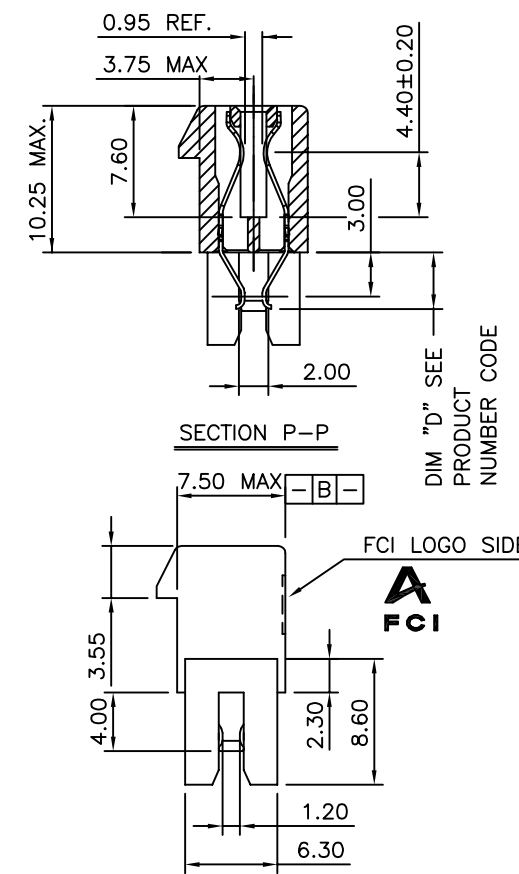
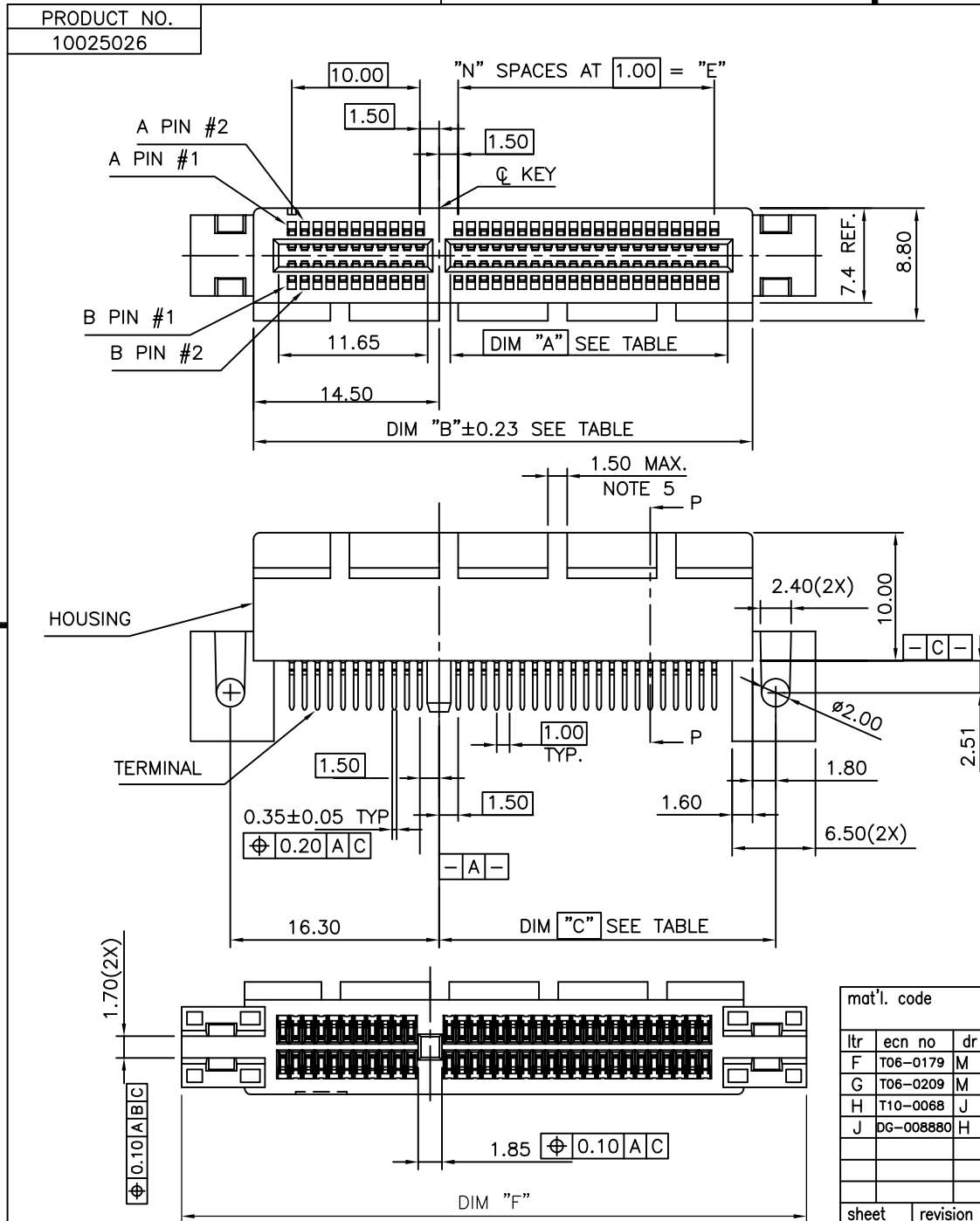


All rights strictly reserved. Reproduction or issue to third parties in any form whatever is not permitted without written authority from the proprietor. Property of FCI. Copyright FCI.



Tous droits strictement réservés. Reproduction ou communication a des tiers interdite sous quelque forme que ce soit sans autorisation écrite du propriétaire. Propriété de c FCI. Droits de reproduction FCI.

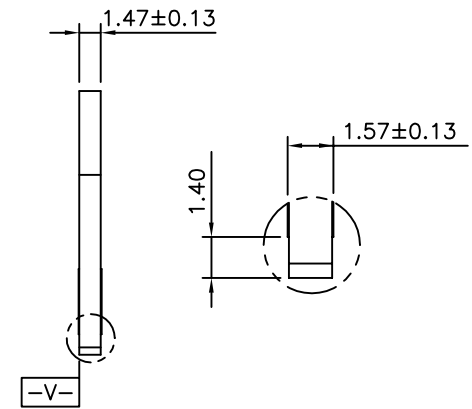
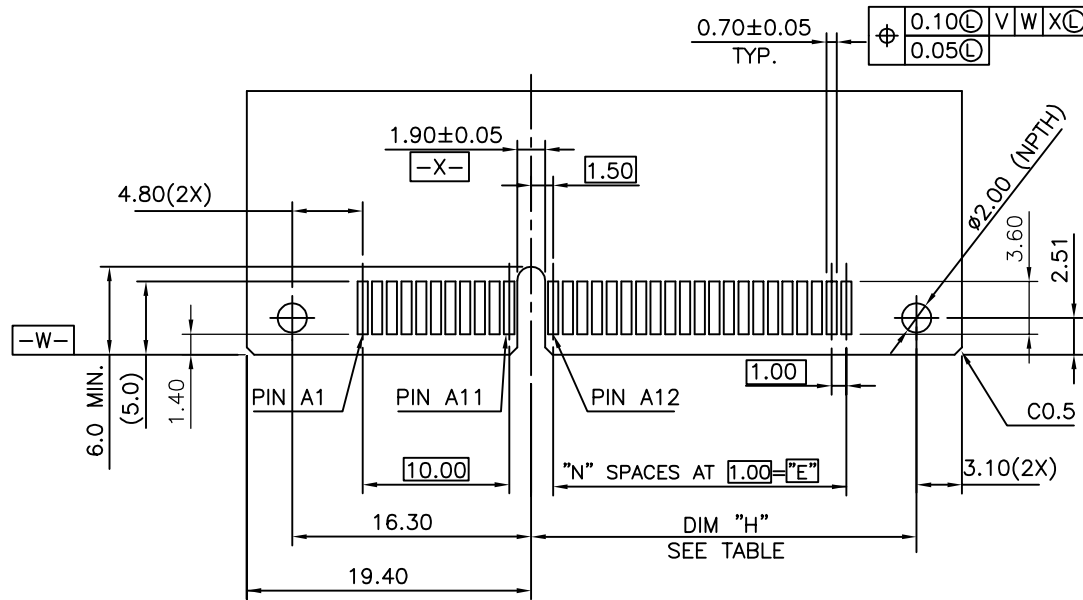


mat'l. code				tolerances unless otherwise specified				CUSTOMER COPY		 www.fciconnect.com	
ltr	ecn no	dr	date	linear	.X ± 0.30		projection	title		PCI EXPRESS STRADDLE MOUNT CARD EDGE ASSY	
F	T06-0179	M W	10/24/06		.XX ± 0.20			product family		EDGE CARD	
G	T06-0209	M W	12/08/06		.XXX ± 0.10			code		TWN	
H	T10-0068	J H	5/26/10	angles	0° ±2°		 scale 2:1	size		10025026	
J	06-008880	H T	12/12/11	dr	MAGGIE WU	03/13/03		product family		EDGE CARD	
				enr	R Y LIU	03/13/03		code		1 of 7	
				chr	R Y LIU	03/13/03	size		10025026		
				appd	JENN TSAO	03/13/03	sheet		1 of 7		
sheet index	revision sheet	J 1	J 2	J 3	J 4	J 5	J 6	J 7			

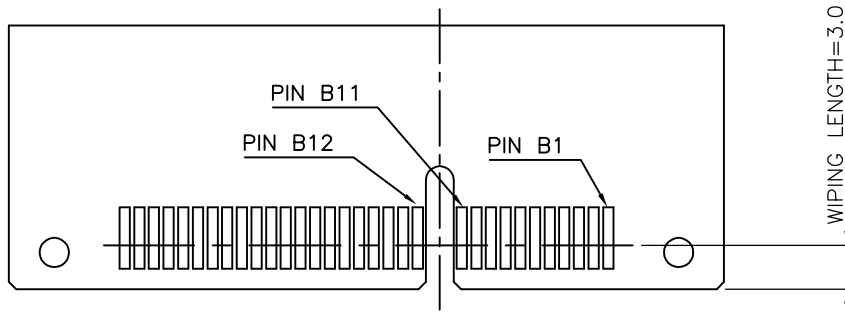
Tous droits strictement reserves. Reproduction ou communication a des tiers interdite sous quelque forme que ce soit sans autorisation ecrite du proprietaire. Propriete de c FCI. Droits de reproduction FCI.



All rights strictly reserved. Reproduction or issue to third parties in any form whatever is not permitted without written authority from the proprietor. Property of FCI. Copyright FCI.



SCALE 2:1



RECOMMEND OF PCB DIMENSIONS

#	POS REF.	N	DIM "H"	DIM "E"
36		6	12.30	6.00
64		20	26.30	20.00
98		37	43.30	37.00
164		70	76.30	70.00

mat'l. code				tolerances unless otherwise specified			CUSTOMER COPY		 www.fciconnect.com		
ltr	ecn no	dr	date	linear	.X ± 0.30		projection	 title PCI EXPRESS STRADDLE MOUNT CARD EDGE ASS'Y			
J					.XX ± 0.20						
					.XXX ± 0.10						
				angles	0° ± 2°		 MM scale 2:1	product family EDGE CARD		code	
				dr	MAGGIE WU	03/13/03		size dwg no		TWN	
				enr	R Y LIU	03/13/03		A4		10025026	sheet
				chr	R Y LIU	03/13/03				2 of	
				appd	JENN TSAO	03/13/03					
sheet index	revision sheet										

cage code
22526

Tous droits strictement réservés. Reproduction ou communication a des tiers interdite sous quelque forme que ce soit sans autorisation écrite du propriétaire. Propriété de c FCI. Droits de reproduction FCI.

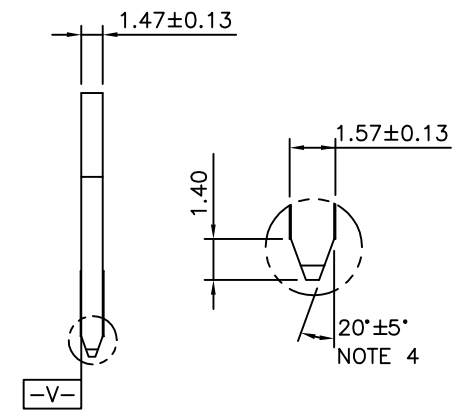
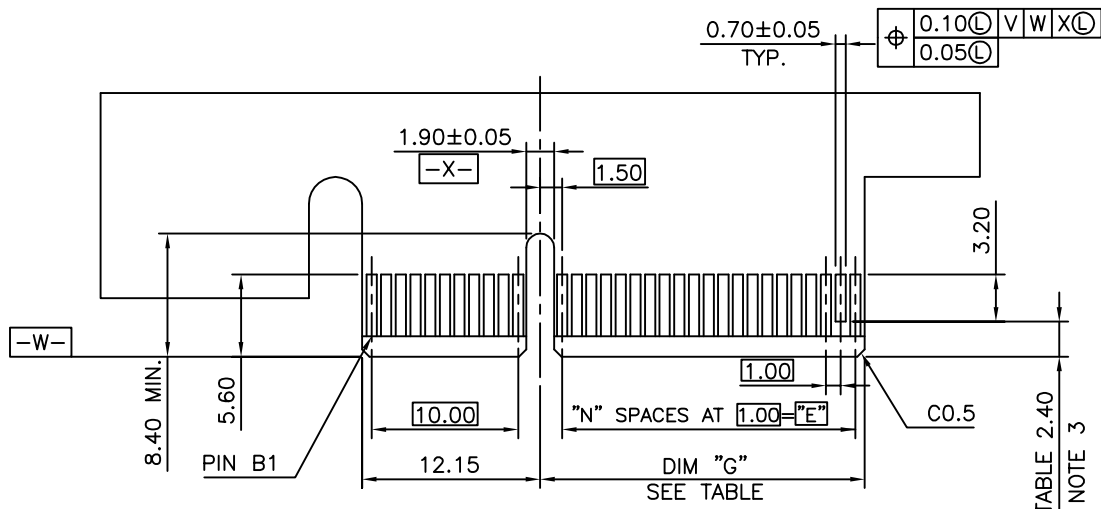
All rights strictly reserved. Reproduction or issue to third parties in any form whatever is not permitted without written authority from the proprietor. Property of FCI. Copyright FCI.



1 | 2

3 |

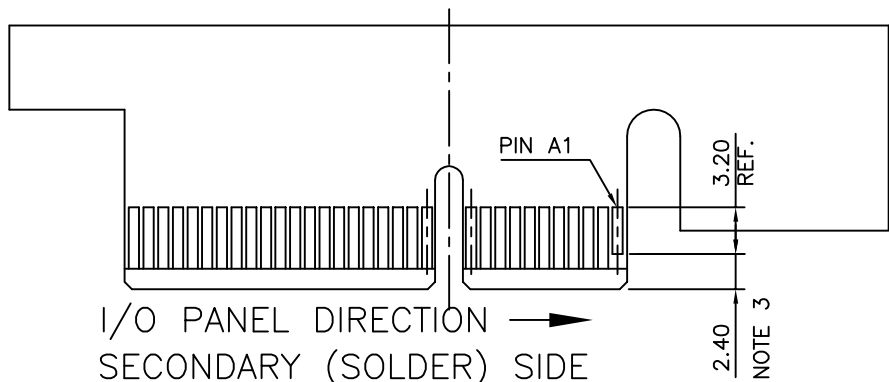
4



SCALE 2:1

← I/O PANEL DIRECTION
PRIMARY (COMPONENT) SIDE

PIN "F" SEE TABLE 2.40
NOTE 3



I/O PANEL DIRECTION →
SECONDARY (SOLDER) SIDE

ADD-IN CARD EDGE-FINGER DIMENSIONS

CONFIDENTIAL

#	POS	REF.	N	DIM "G"	"F"
36	6		6	8.15	B17
64	20		20	22.15	B31
98	37		37	39.15	B48
164	70		70	72.15	B81

mat'l. code				tolerances unless otherwise specified		CUSTOMER COPY			
ltr	ecn no	dr	date	linear	.X ± 0.30	projection			
J					.XX ± 0.20				
				angles	.XXX ± 0.10				
					0° ± 2°		title PCI EXPRESS STRADDLE MOUNT CARD EDGE ASS'Y		
		dr	MAGGIE WU	03/13/03	MM			product family	EDGE CARD
		enr	R Y LIU	03/13/03	scale			size	dwg no
		chr	R Y LIU	03/13/03	2:1			A4	10025026
		appd	JENN TSAO	03/13/03			code	TWN	
sheet index	revision sheet						sheet	3 of	

cage code
22526

1 | 2

3 |

4

NOTES:

1.MATERIAL:

HOUSING: HIGH TEMPERATURE NYLON, GLASS FILLED UL94V-0 RATED.

TERMINAL: COPPER ALLOY

PLATING: 50u" NICKEL UNDERPLATE ALL OVER CONTACT AREA PLATING - SEE PRODUCT NUMBER CODE SOLDER TAIL: TIN OR TIN/LEAD (90/10) - SEE PRODUCT NO. CODE 100u" MIN. OVER 50u" NICKEL

METAL BOARD LOCKS: COPPER ALLOY FINISH: 100u" TIN OR TIN/LEAD (90/10) OVER 50u" NICKEL UNDERPLATE SEE PRODUCT NUMBER CODE

2.PRODUCT SPECIFICATION: GS-12-233

③NO TIE BAR PERMITTED FROM CARD EDGE TO LEADING EDGE OF PAD FOR PINS A1 AND PIN NUMBERS "F".

④CHAMFER EDGES MUST BE FREE OF CUTTING BURRS.

⑤FREQUENCY & LOCATION AT SUPPLIER DISCRETION. RIDGE MAY BE CONTINUOUS WITH NO BREAKS.

6.RoHS COMPATIBLE PRODUCT SPECIFICATIONS

a - PLATING:

- "LF" MEANS THE PRODUCT IS LEAD-FREE, 2um MINIMUM MATTE TIN OVER 1.27um MINIMUM NICKEL UNDERPLATE.

b - MANUFACTURING PROCESS COMPATIBILITY

- THE HOUSING WILL WITHSTAND EXPOSURE TO 260°C±5°C SOLDER BATH TEMPERATURE FOR 5 SECONDS IN A REFLOW SOLDER APPLICATION WITH A 1.6mm MIN THICK CIRCUIT BOARD.

CONNECTOR	# POS REF.	N	DIM "A"	DIM "B"	DIM "C"	"E"	"F"
1 PORT	36	6	7.65	25.00	12.30	6.00	34.8
4 PORT	64	20	21.65	39.00	26.30	20.00	48.8
8 PORT	98	37	38.65	56.00	43.30	37.00	65.8
16 PORT	164	70	71.65	89.00	76.30	70.00	98.8

PRODUCT NUMBER CODE

10025026 -X 0 X 0 X T □ □

HOUSING COLOR OPTIONS

- 0-NATURAL
- 1-BLACK

RESERVE

TERMINAL PLATING OPTIONS

- 0-50u" Ni UNDERPLATE 30u" Au CONTACT AREA 100u" TIN TAIL AREA ----- COMPATIBLE RoHS
- 1-50u" Ni UNDERPLATE 15u" Au CONTACT AREA 100u" TIN TAIL AREA ----- COMPATIBLE RoHS
- 2-50u" Ni UNDERPLATE GOLD FLASH CONTACT AREA 100u" TIN TAIL AREA ----- COMPATIBLE RoHS
- 3-50u" Ni UNDERPLATE 30u" Au CONTACT AREA 100u" TIN/LEAD TAIL AREA ----- INCOMPLIANT RoHS
- 4-50u" Ni UNDERPLATE 15u" Au CONTACT AREA 100u" TIN/LEAD TAIL AREA ----- INCOMPLIANT RoHS
- 5-50u" Ni UNDERPLATE GOLD FLASH CONTACT AREA 100u" TIN/LEAD TAIL AREA ----- INCOMPLIANT RoHS

LEAD FREE OPTIEON

LEAVE BLANK FOR TERMINAL PLATING 3.4.5 "LF" FOR TERMINAL PLATING OPTION 0,1,2

PACKAGING OPTIONS

- T: TRAY PACKAGING(IN GENERAL VERTICAL DIRECTION)
- C: TAPE & REEL WITH INSERT CAP (FOR 98P ONLY)
- H: TRAY PACKAGING(IN SPECIAL HORIZONTAL DIRECTION)

POS OPTIONS

- 0-36
- 1-64
- 2-98
- 3-164

TAIL LENGTH OPTIONS

DIM "D"	PCB THICKNESS
3.85 +0.25 -0.13	1.56

CONFIDENTIAL

mat'l. code				tolerances unless otherwise specified		CUSTOMER COPY	FCJ		
ltr	ecn no	dr	date	linear	.X ± 0.30	projection MM	www.fciconnect.com		
J					.XX ± 0.20		title PCI EXPRESS STRADDLE MOUNT CARD EDGE ASS'Y	product family EDGE CARD	
				angles	.XXX ± 0.10			code TWN	
				dr	0° ±2°	scale 1:1	size A4	code 10025026	
sheet index	revision sheet			enrg	MAGGIE WU 03/13/03			sheet 4 of	
				chr	R Y LIU 03/13/03				
				appd	JENN TSAO 03/13/03				

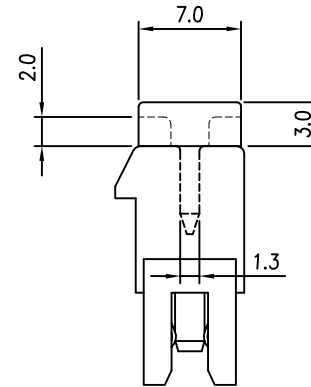
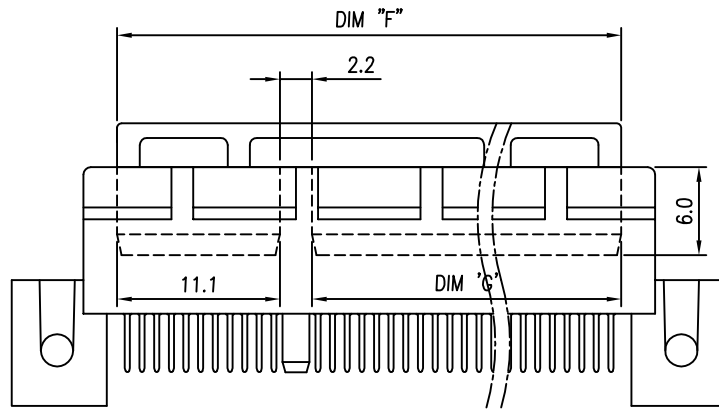
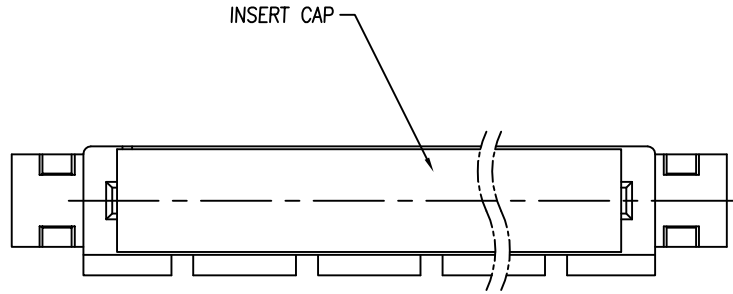
cage code 22526



Tous droits strictement reserves. Reproduction ou communication a des tiers interdite sous quelque forme que ce soit sans autorisation écrite du propriétaire. Propriete de c FCI. Droits de reproduction FCI.



All rights strictly reserved. Reproduction or issue to third parties in any form whatever is not permitted without written authority from the proprietor. Property of FCI. Copyright FCI.



NOTES:

- MATERIAL:
INSERT CAP: THERMOPLASTIC LCP OR PA9T,
UL94V-0; BLACK COLOR.
- THIS IS AVAILABLE FOR 8X PCI-E ONLY.
P/N: 10025026-XXXX2CLF.

DIMENSIONS			
POSITION	F	G	STATUS
36	20.4	7.1	N/A
64	34.4	21.1	N/A
98	51.4	38.1	AVAILABLE
164	84.4	71.1	N/A

mat'l. code				tolerances unless otherwise specified			CUSTOMER COPY		 www.fciconnect.com	
ltr	ecn no	dr	date	linear	.X ± 0.30		projection	 title PCI EXPRESS STRADDLE MOUNT CARD EDGE ASSY		
J					.XX ± 0.20					
					.XXX ± 0.10					
				angles	0° ±2°		 MM	product family EDGE CARD		code
				dr	MAGGIE WU	03/13/03		size dwg no		TWN
				enr	RY LIU	03/13/03	scale	A4		sheet
				chr	RY LIU	03/13/03		10025026		
				appd	JENN TSAO	03/13/03	N/A			
sheet index	revision sheet									

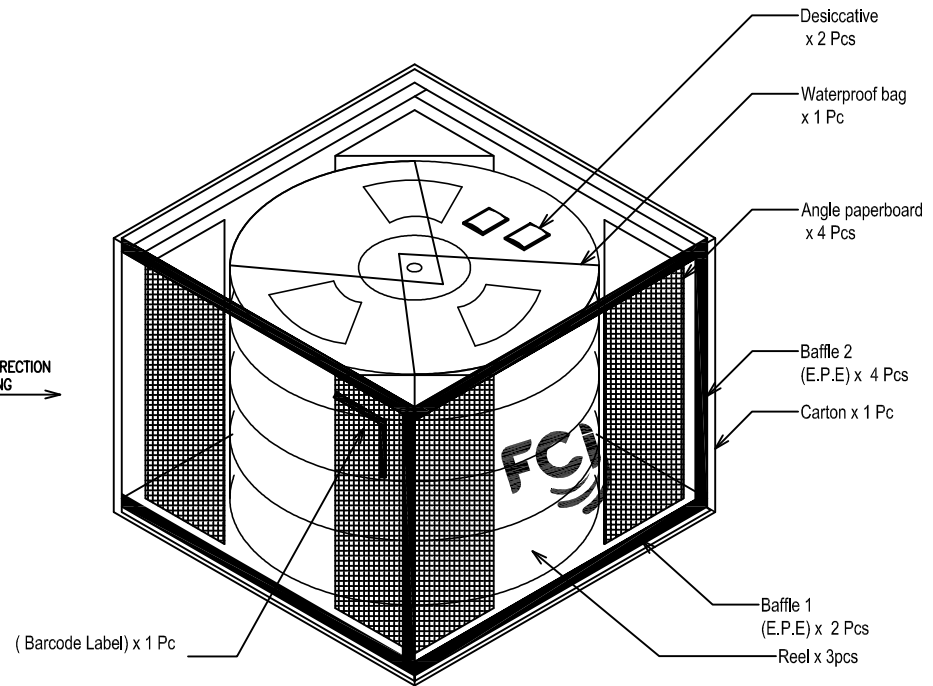
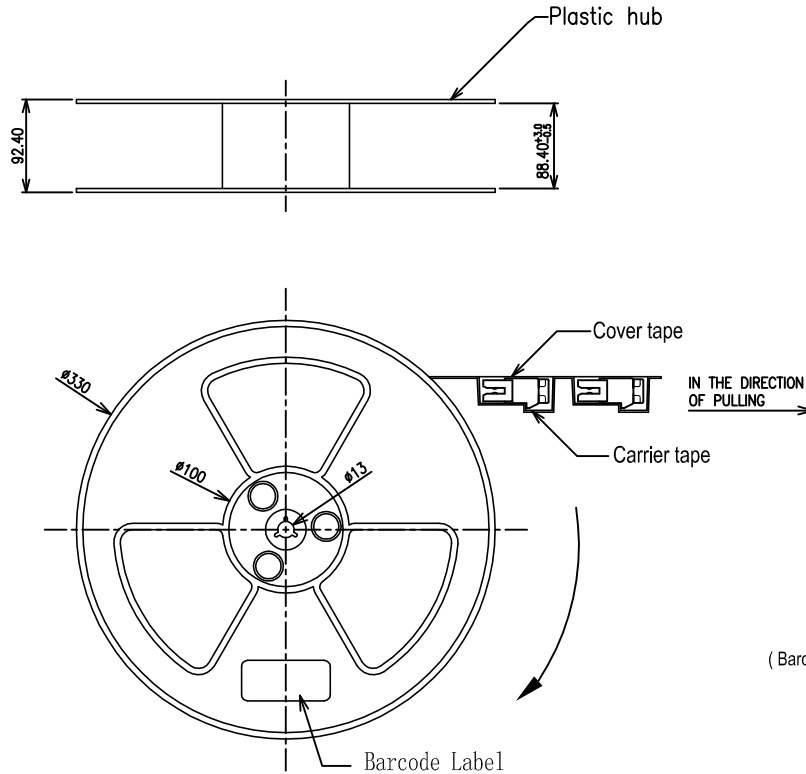
cage code

NOTE:

1. REEL MATERIAL : PS, BLACK
2. CARRIER MATERIAL : PS
3. COVER TAPE MATERIAL : PS
4. COVER TAPE REEL STRENGTH : 13"
5. QUANTITY : 150 PCS/REEL
6. Carton : 380(L) * 380(W) * 300(H) mm

Part No
10025026-XXXX(LF)

NO. OF CONTACTS	98
REEL/CARTON	3
PCS/REEL	150
QUANTITY(PCS)	450



Tous droits strictement reserves. Reproduction ou communication a des tiers interdite sous quelque forme que ce soit sans autorisation ecrite du proprietaire. Propriete de c FCI. Droits de reproduction FCI.



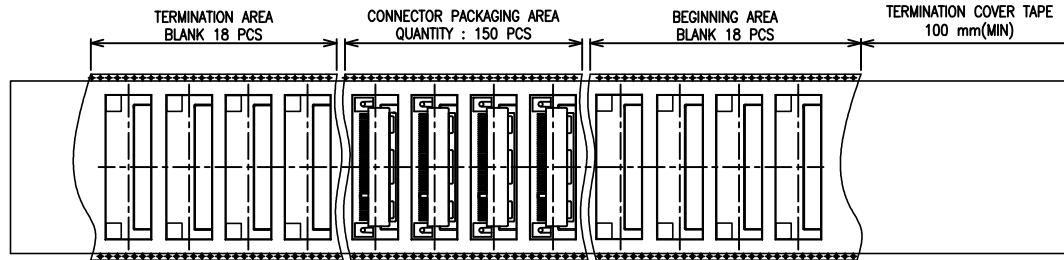
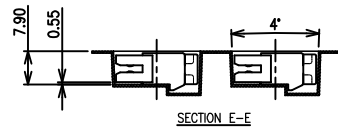
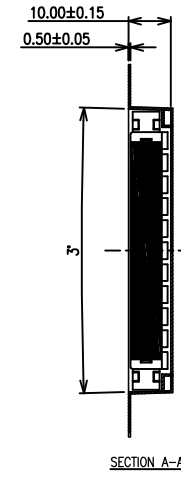
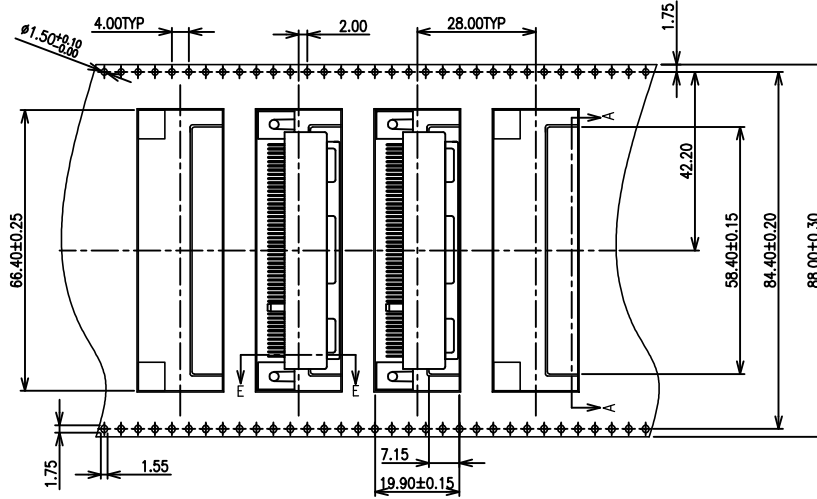
All rights strictly reserved. Reproduction or issue to third parties in any form whatever is not permitted without written authority from the proprietor. Property of FCI. Copyright FCI.

mat'l. code				tolerances unless otherwise specified			CUSTOMER COPY	 www.fciconnect.com	
ltr	ecn no	dr	date	linear	.X ± 0.38		projection	 title PCI EXPRESS STRADDLE MOUNT CARD EDGE ASSY	
J					.XX ± 0.25				
					.XXX ± 0.10				
				angles	0° ± 2'		 MM	product family PCI code TWN size dwg no 10025026 sheet 6 of	
				dr	MAGGIE WU	03/13/03			
				enr	RY LIU	03/13/03			
				chr	RY LIU	03/13/03			
				appd	RY LIU	03/13/03			
sheet index	revision sheet						scale N/A	A4	

Tous droits strictement reserves. Reproduction ou communication a des tiers interdite sous quelque forme que ce soit sans autorisation ecrite du proprietaire. Propriete de c FCI. Droits de reproduction FCI.



All rights strictly reserved. Reproduction or issue to third parties in any form whatever is not permitted without written authority from the proprietor. Property of FCI. Copyright FCI.



mat'l. code				tolerances unless otherwise specified			CUSTOMER COPY		 www.fciconnect.com		
ltr	ecn no	dr	date	linear	.X ± 0.38		projection	 title PCI EXPRESS STRADDLE MOUNT CARD EDGE ASSY			
J					.XX ± 0.25						
					.XXX ± 0.10						
				angles	0° ±2°		 MM	product family PCI		code	
				dr	MAGGIE WU	03/13/03		size dwg no		TWN	
				enr	RY LIU	03/13/03		scale		sheet	
				chr	RY LIU	03/13/03		N/A		7 of	
				appd	RY LIU	03/13/03		A4		10025026	
sheet index	revision sheet										

cage code
22526