

DESIGNED & DIMENSIONED IN MILLIMETERS (INCHES FOR REFERENCE)

LSS-1XX-XX-XX-DV-XX-XX

DO NOT SCALE FROM THIS PRINT

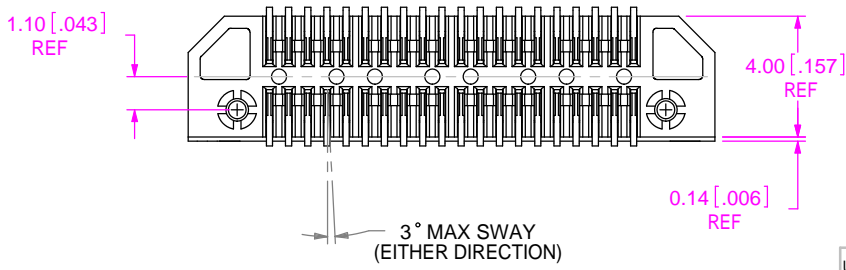
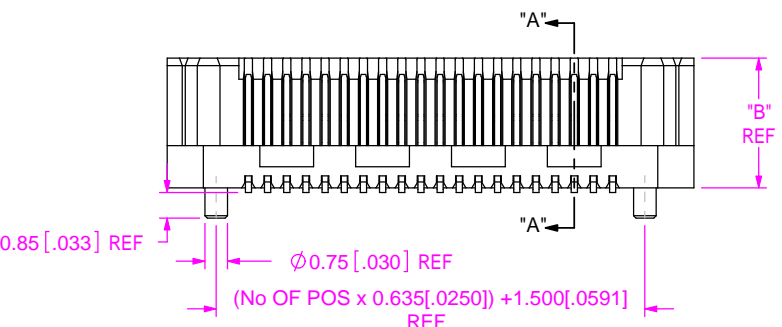
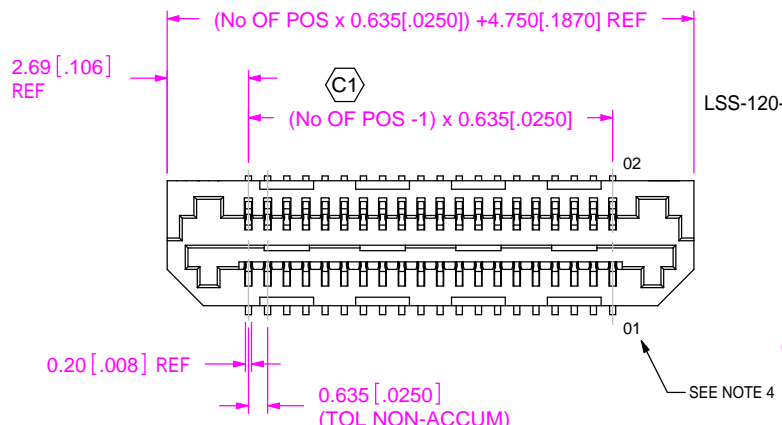


FIG. 1
LSS-120-01-XX-DV-A SHOWN

No OF POSITIONS
-20, -30, -40, -50
(PER ROW)

LEAD STYLE
-01: 3 mm (SEE TABLE 3)
-02: 6 mm (SEE TABLE 3)
* -03: 4 mm (SEE TABLE 3)

PLATING SPECIFICATION
-L: LIGHT GOLD
(USE C-185-XX-LG)
-F: FLASH GOLD
(USE C-185-XX-FG)
-LM: LIGHT GOLD, MATTE TIN TAILS
(USE C-185-XX-LM)

OPTION
-K: POLYAMIDE FILM
(USE K-500-300)
(SEE FIG 2, SHT 2)
-TR: TAPE & REEL

OPTION
-A: ALIGNMENT PIN
-LC: LOCKING CLIP
(-02 & -03 LEAD STYLES ONLY)
(USE LC-08-TM-01)
(SEE FIG. 3, SHT 3)
(SEE NOTE 6)

ROW SPECIFICATION
-DV: DOUBLE VERTICAL

* NOT RELEASED FOR PRODUCTION

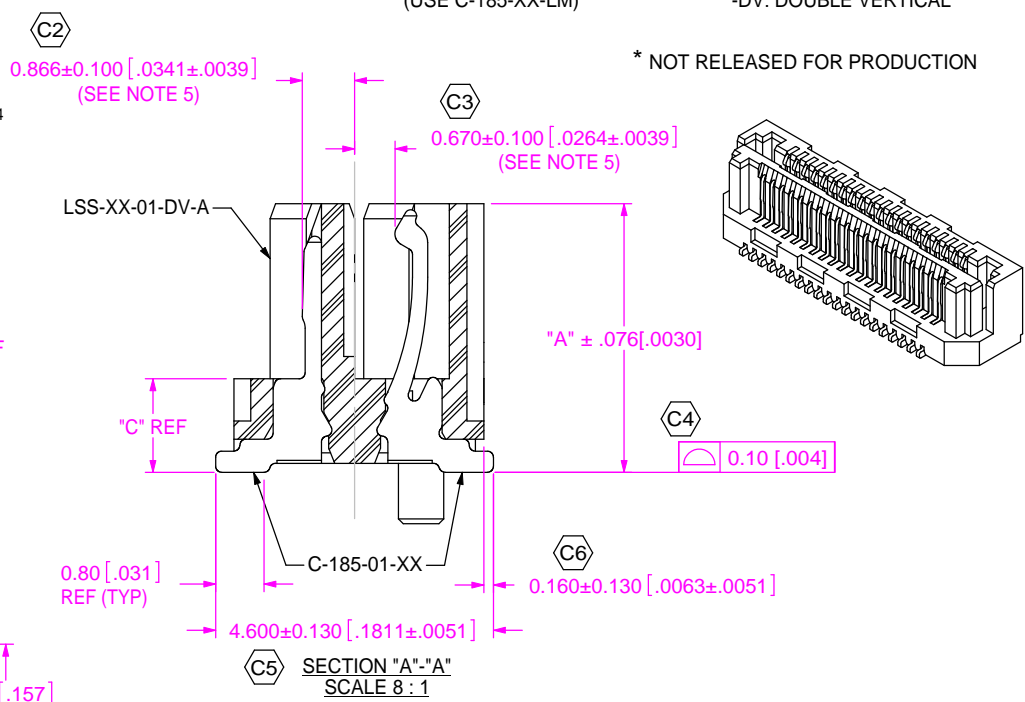


TABLE 1

BODY HT	"A"	"B"	"C"
-01	4.496 [.1770]	4.300 [.1693]	1.596 [.0628]
-02	7.493 [.2950]	7.300 [.2874]	4.593 [.1808]
-03	5.493 [.2163]	5.300 [.2087]	2.593 [.1021]

TABLE 3

LEADSTYLE	BODY	PIN
-01	LSS-XX-01-DV-A	C-185-01-X
-02	LSS-XX-02-DV-A	C-185-02-X
* -03	LSS-XX-03-DV-A	C-185-03-X

- NOTES:
- © REPRESENTS A CRITICAL DIMENSION.
 - BURR ALLOWANCE: .038 [.0015].
 - MINIMUM PUSHOUT FORCE; TERMINALS: .5 LBS, CONTACTS: .5 LB.
 - PIN 01 WILL MATE WITH CONTACT 02 ON MATING CONNECTOR, SEE APPLICATION VIEWS.
 - MEASURE FROM TOP OF VERTICAL WALL.
 - MINIMUM PULL OUT FORCE FOR -LC IS .75 LB.

UNLESS OTHERWISE SPECIFIED, DIMENSIONS ARE IN MILLIMETERS.

TOLERANCES ARE:

DECIMALS	ANGLES
.X: ± .3 [.01]	2°
.XX: ± .13 [.005]	
.XXX: ± .051 [.0020]	

PROPRIETARY NOTE
THIS DOCUMENT CONTAINS INFORMATION CONFIDENTIAL AND PROPRIETARY TO SAMTEC, INC. AND SHALL NOT BE REPRODUCED OR TRANSFERRED TO OTHER DOCUMENTS OR DISCLOSED TO OTHERS OR USED FOR ANY PURPOSE OTHER THAN THAT WHICH IT WAS OBTAINED WITHOUT THE EXPRESSED WRITTEN CONSENT OF SAMTEC, INC.



520 PARK EAST BLVD, NEW ALBANY, IN 47150
PHONE: 812-944-6733 FAX: 812-948-5047
e-Mail: info@SAMTEC.com code: 55322

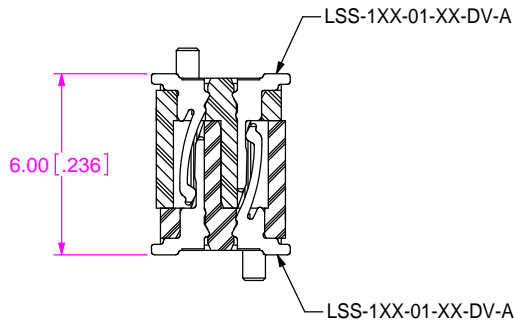
MATERIAL: DO NOT SCALE DRAWING SHEET SCALE 4:1
INSULATOR: LCP, COLOR: BLACK
CONTACT: PHOS BRONZE

DESCRIPTION:
.635mm TERMINAL/SOCKET COMBO

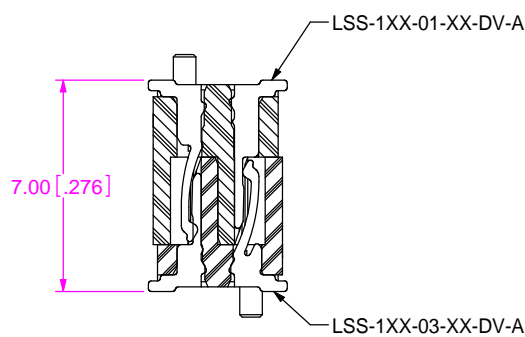
DWG. NO. LSS-1XX-XX-XX-DV-XX-XX

BY: CHAD F 07/01/2002 SHEET 1 OF 3

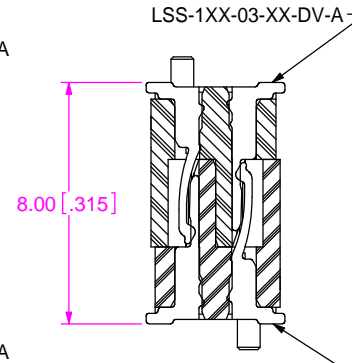
APPLICATION VIEWS



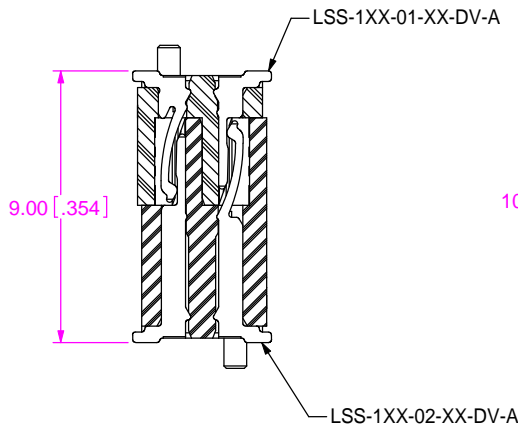
6mm STACK HEIGHT



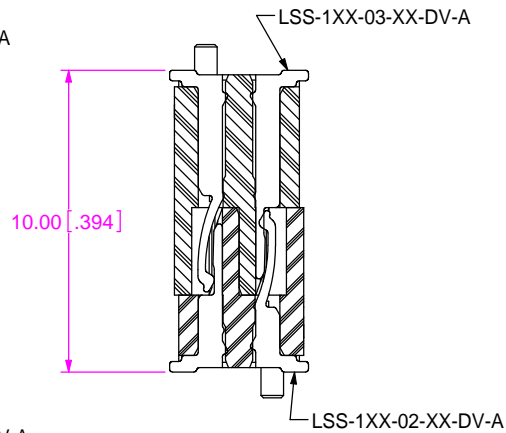
7mm STACK HEIGHT



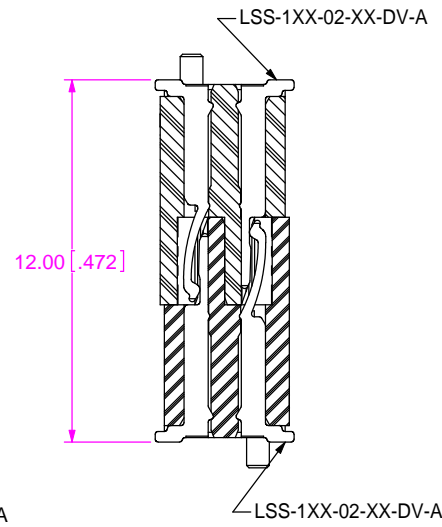
8mm STACK HEIGHT



9mm STACK HEIGHT



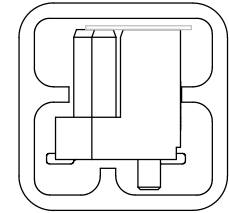
10mm STACK HEIGHT



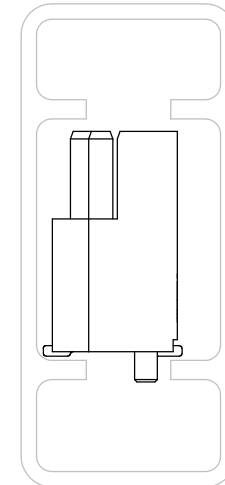
12mm STACK HEIGHT

PACKAGING VIEW

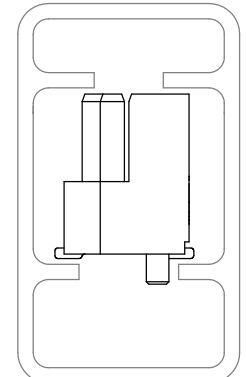
LEAD STYLE	OPTION	PACKAGING TUBE	PLUG
-01	-A	PT-1-24-01-134	TP-24-02
-02	-A, -LC	PT-1-24-05-29	TP-09
* -03	-A, -LC	PT-1-24-02-15	TP-03



TUBE: PT-1-24-01-134
PLUG: TP-03



TUBE: PT-1-24-05-29
PLUG: TP-09



TUBE: PT-1-24-02-15
PLUG: TP-03

PROPRIETARY NOTE

THIS DOCUMENT CONTAINS INFORMATION CONFIDENTIAL AND PROPRIETARY TO SAMTEC, INC. AND SHALL NOT BE REPRODUCED OR TRANSFERRED TO OTHER DOCUMENTS OR DISCLOSED TO OTHERS OR USED FOR ANY PURPOSE OTHER THAN THAT WHICH IT WAS OBTAINED WITHOUT THE EXPRESSED WRITTEN CONSENT OF SAMTEC, INC.

DO NOT SCALE DRAWING

SHEET SCALE: 4:1



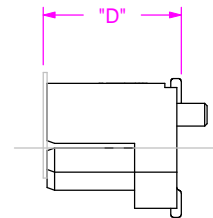
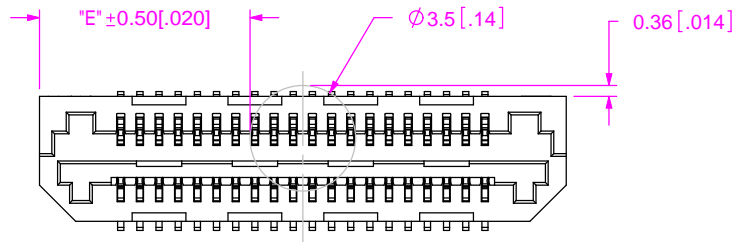
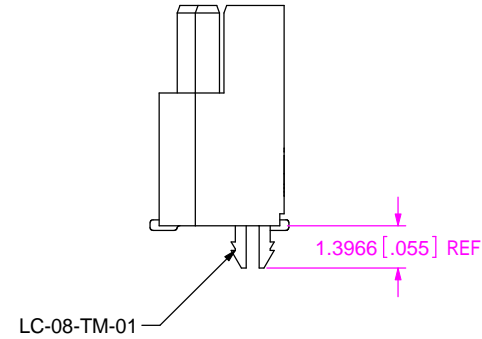
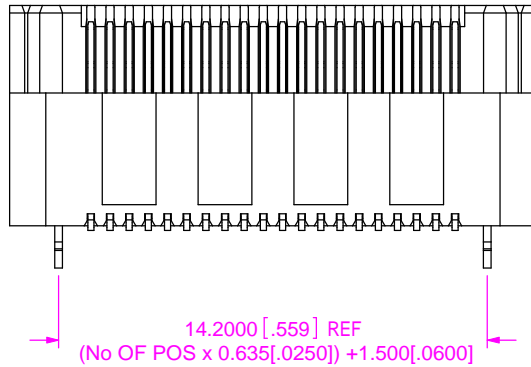
520 PARK EAST BLVD, NEW ALBANY, IN 47150
PHONE: 812-944-6733 FAX: 812-948-5047
e-Mail: info@SAMTEC.com code: 55322

DESCRIPTION:
.635mm TERMINAL/SOCKET COMBO
DWG. NO. **LSS-1XX-XX-XX-DV-XX-XX**

BY: CHAD F 07/01/2002 SHEET 2 OF 3

FIG. 3

-LC: LOCKING CLIP OPTION
 (USE LC-08-TM-01)
 -02 & -03 LEAD STYLES ONLY
 (SEE NOTE 6, SHT. 1)



$$E = ((\text{NO OF POS} \times 0.635 [.0250]) + 4.750 [.1870]) / 2 - 1.75 [.0689]$$

FIG. 2

-K: POLYAMIDE FILM OPTION
 (USE K-500-300)

TABLE 2	
BODY HT	"D"
-01	4.58 [.180]
-02	7.58 [.298]
-03	5.58 [.220]

PROPRIETARY NOTE
 THIS DOCUMENT CONTAINS INFORMATION CONFIDENTIAL AND PROPRIETARY TO SAMTEC, INC. AND SHALL NOT BE REPRODUCED OR TRANSFERRED TO OTHER DOCUMENTS OR DISCLOSED TO OTHERS OR USED FOR ANY PURPOSE OTHER THAN THAT WHICH IT WAS OBTAINED WITHOUT THE EXPRESSED WRITTEN CONSENT OF SAMTEC, INC.

DO NOT SCALE DRAWING

SHEET SCALE: 4:1



520 PARK EAST BLVD, NEW ALBANY, IN 47150
 PHONE: 812-944-6733 FAX: 812-948-5047
 e-Mail: info@SAMTEC.com code: 55322

DESCRIPTION:
 .635mm TERMINAL/SOCKET COMBO
 DWG. NO.
LSS-1XX-XX-XX-DV-XX-XX
 BY: CHAD F 07/01/2002 SHEET 3 OF 3