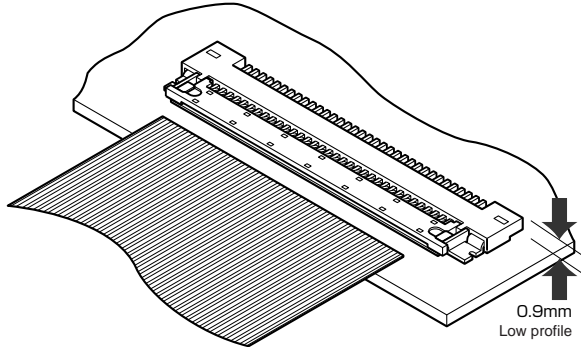




# FHX CONNECTOR

0.5mm pitch/Connectors for FPC



**ZIF (zero insertion force) flip lock type connectors.**

- Low-profile
- Heat resisting design suitable for surface mounting

## Specifications

- Current rating: 0.5A AC, DC
- Voltage rating: 50V AC, DC
- Temperature range: -25°C to +85°C  
(including temperature rise in applying electrical current)
- Contact resistance: Initial value/60m Ω max.  
After environmental testing/60m Ω max.  
(variation from initial value)
- Insulation resistance: 800M Ω min.
- Withstanding voltage: 200V AC/minute
- Applicable FPC: Conductor pitch/0.5mm  
Conductor width/0.35mm  
Mating part thickness/0.12±0.03mm

Note: FPC to be actually used should be checked for applicability.

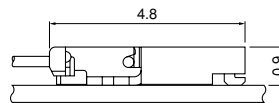
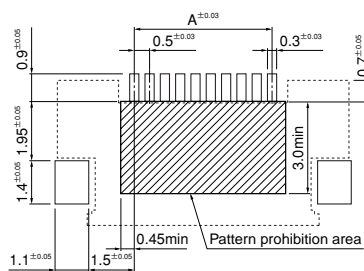
- \* RoHS compliant products are published.
- \* Refer to "General Instruction and Notice when using Terminals and Connectors" at the end of this catalog.
- \* Contact JST for details.

## Standards

Ⓜ Recognized E60389

Ⓢ Certified LR20812

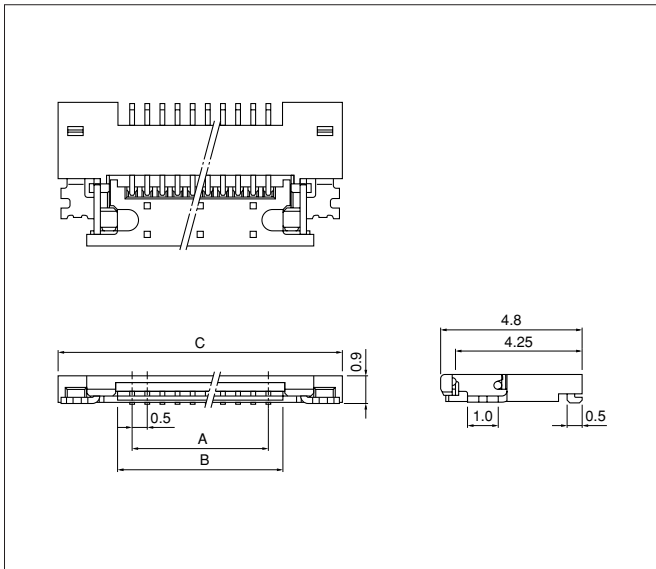
## PC board layout (viewed from component side) and Assembly layout



- Note: 1. Tolerances are non-cumulative: ±0.03mm for all centers.  
2. The dimensions above should serve as a guide line. Contact JST for details.

# FHX CONNECTOR

## Connector



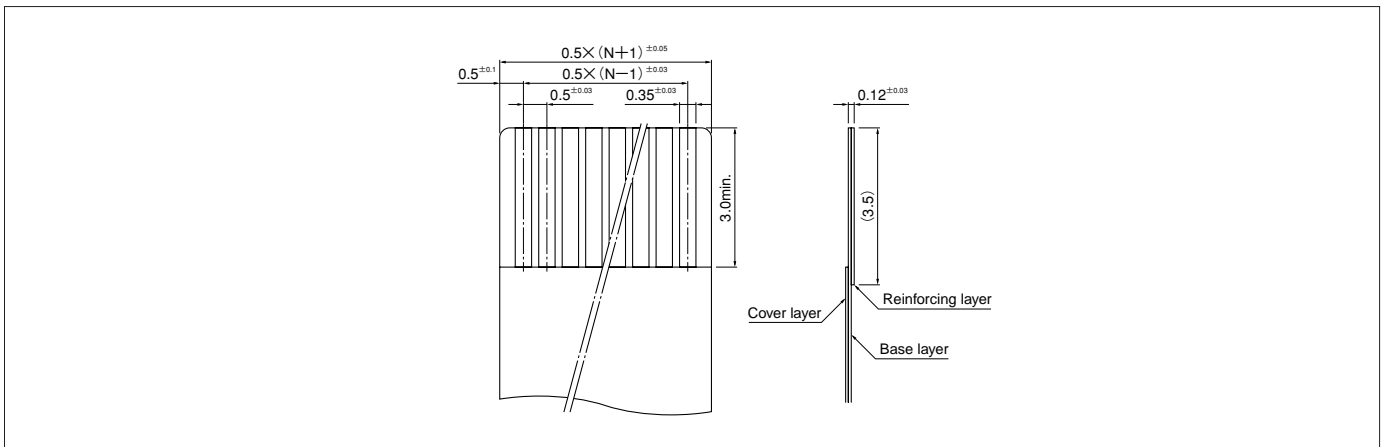
Circuits	Model No.	Dimensions (mm)			Q'ty / reel
		A	B	C	
19	<b>19FHX-RSM1-G-1-S-TB</b>	9.0	10.0	14.0	3,000
20	<b>20FHX-RSM1-G-1-S-TB</b>	9.5	10.5	14.5	3,000
24	<b>24FHX-RSM1-G-1-S-TB</b>	11.5	12.5	16.5	3,000
27	<b>27FHX-RSM1-G-1-S-TB</b>	13.0	14.0	18.0	3,000
34	<b>34FHX-RSM1-G-1-S-TB</b>	16.5	17.5	21.5	3,000
40	<b>40FHX-RSM1-G-1-S-TB</b>	19.5	20.5	24.5	3,000

### Material and Finish

Contact: Copper alloy, nickel-undercoated, gold-plated  
Housing: LCP, UL94V-0, natural (white)  
Solder tab: Copper alloy, copper-undercoated, tin-plated (reflow treatment)  
Cover: LCP, UL94V-0, black

**RoHS compliance** This product displays (LF)(SN) on a label.

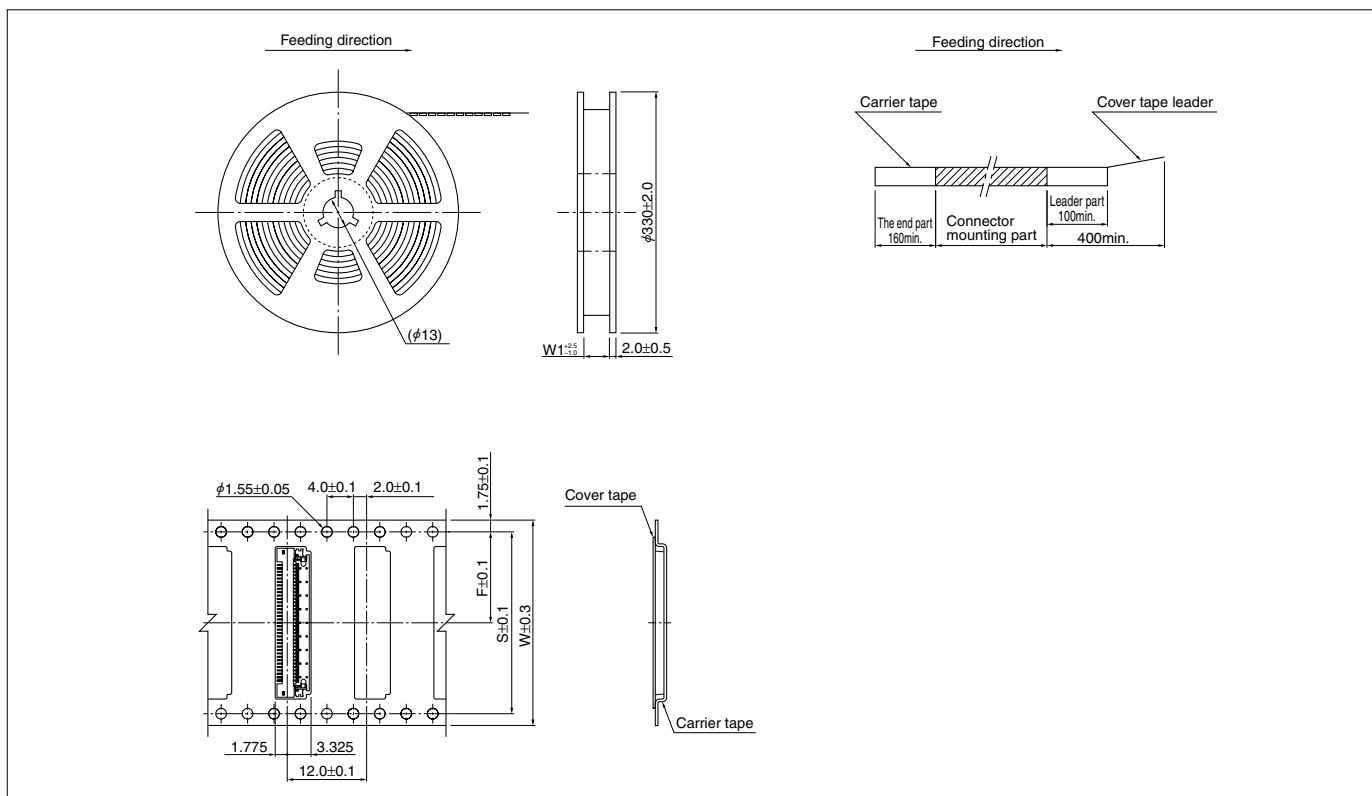
## Lead section dimensions of FPC



Note: N --- Number of circuits

# FHX CONNECTOR

## Taping specifications



Circuits	Taping dimensions (mm)			Reel dimensions (mm)	Q'ty / reel
	F	S	W	W1	
19 to 24	11.5	—	24	25.5	3,000
27 to 34	14.2	28.4	32	33.5	3,000
40	20.2	40.4	44	45.5	3,000

**Note:**

1. Specifications conform to JIS C 0806. The tape width, connector recess hole dimensions, etc. are determined by the number of circuits and external shape of the connector to be loaded.
2. Specifications are subject to change without prior notice.