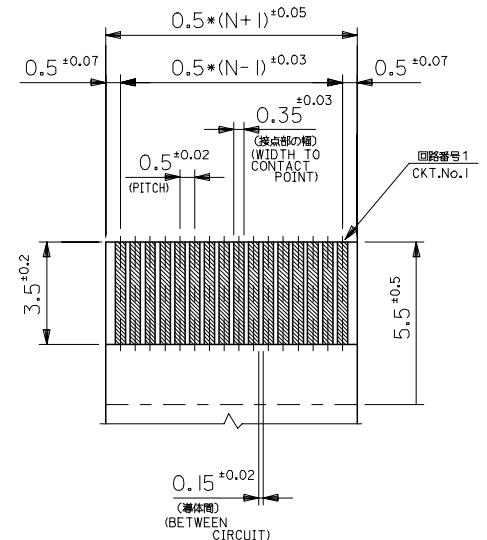
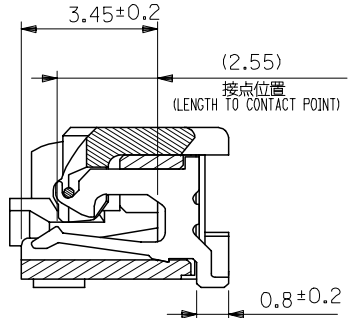
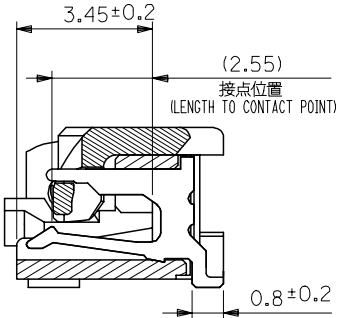
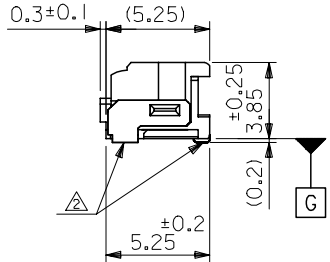
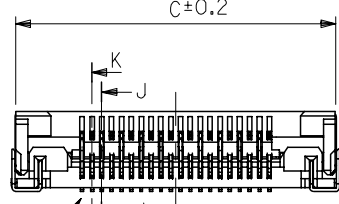
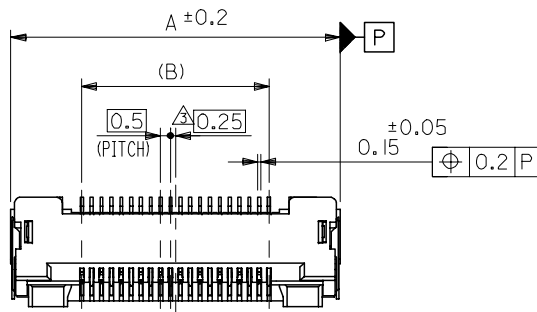


10 9 8 7 6 5 4 3 2 1



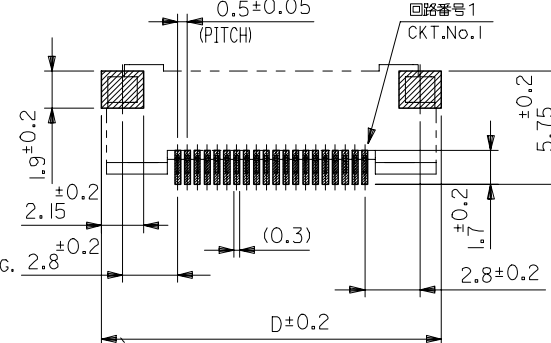
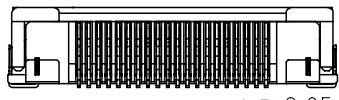
注記  
NOTE

1. 材質  
MATERIAL

- ハウジング: 液晶ポリマー ガラス充填 UL94V-0  
HOUSING: LIQUID CRYSTAL POLYMER (GLASS FILLED), UL94V-0
- アクチュエータ: 9Tナイロン ガラス充填 UL94V-0  
ACTUATOR: POLYAMIDE 9T (GLASS FILLED), UL94V-0
- ターミナル: リン青銅、ニッケル下地金メッキ又は半田メッキ又は錫ビスマスメッキ  
TERMINAL: PHOSPHOR BRONZE, GOLD OR TIN-LEAD OR TIN-BISMUTH OVER NICKEL PLATING.
- ネイル: リン青銅、ニッケル下地錫銅メッキ又は錫メッキ  
NAIL: PHOSPHOR BRONZE, TIN-COPPER OR TIN OVER NICKEL PLATING.

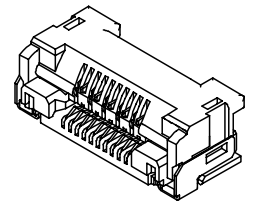
△ ソルダータール半田付け面のズレ量、及び金具半田付け面のズレ量は、基準面 G に対し  
下方向に 0~0.3 の範囲にあるものとする。  
又、相互のバラツキ量は 0.1 MAXIMUM とする。  
MISALIGNMENT OF SOLDER TAILS AND FITTING NAILS FROM G UPPER DIRECTION : 0 ~ 0.3  
OFFSET BETWEEN SOLDER TAILS AND FITTING NAILS : 0.1 MAXIMUM.

△ 偶数極に適用  
APPLY FOR EVEN CIRCUIT.



参考基板レイアウト  
P.C. BOARD PATTERN DIM. (REF.)

適合 FFC 推奨寸法  
APPLICABLE FFC  
RECOMMENDED DIMENSION  
(仕上がり厚さ: 0.3 ±0.03)  
(THICKNESS: 0.3 ±0.03)

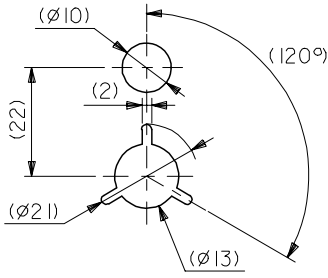
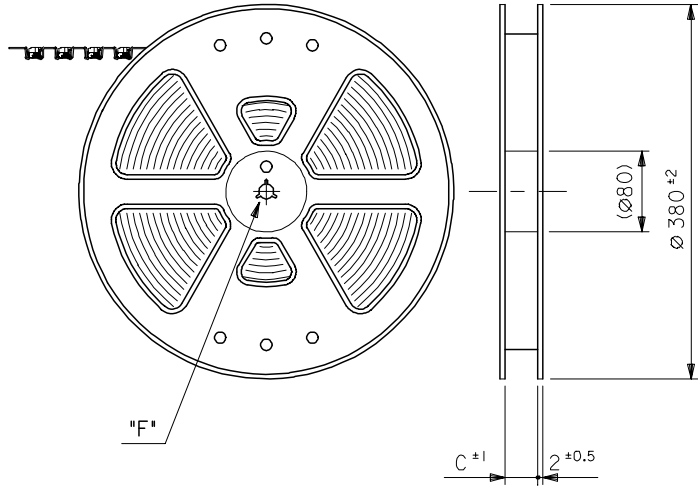


ISO VIEW

|           |       |      |      |      |            |            |              |          |
|-----------|-------|------|------|------|------------|------------|--------------|----------|
| LEAD-FREE | 32.25 | 31.3 | 24.5 | 31.7 | TIN        | TIN-LEAD   | 500617-5048  | 50       |
|           | D     | C    | B    | A    | TIN-COPPER | TIN-LEAD   | 500617-5038  |          |
|           |       |      |      |      | TIN        | GOLD       | 500617-5028  |          |
|           |       |      |      |      | TIN        | TIN-BISMUS | 500617-5018  |          |
|           |       |      |      |      | NAIL       | TERMINAL   | MATERIAL NO. | CIRCUITS |

|  |             |  |       |  |               |  |                        |  |
|--|-------------|--|-------|--|---------------|--|------------------------|--|
| REVISED<br>EC No: J2005-2483<br>DRAWN: TAKEMOTO 2005/04/13<br>CHKD: TANAKA 2005/04/14<br>APPR: NUKITA 2005/04/19 | DESCRIPTION | GENERAL TOLERANCES (UNLESS SPECIFIED)                      |       | DIMENSION STYLE  | SCALE         | DESIGN UNITS   | THIRD ANGLE PROJECTION |  |
|  |             | 10 UNDER   | ±0.2  | MM ONLY  | ---           | METRIC   | ◎ □                    |  |
|  |             | 10 OVER 30 UNDER   | ±0.25 | DRAWN BY   | DATE          | TITLE  |                        |  |
|  |             | 30 OVER  | ±0.3  | SMATSUZAKI   | 2003/09/10    | 0.5 FPC CONN. E/O<br>R/A HSG ASS'Y<br>(FPC TYPE) H=4.1 |                        |  |
|  |             | ANGULAR  | ±3 °  | CHECKED BY   | DATE          |  |                        |  |
|  |             | DRAFT WHERE APPLICABLE<br>MUST REMAIN<br>WITHIN DIMENSIONS |       | APPROVED BY  | DATE          |  |                        |  |
|  |             |  |       | TYAMAGUCHI   | 2003/09/11    |  |                        |  |
|  |             |  |       | MATERIAL NO.   | DOCUMENT NO.  | SHEET NO.  |                        |  |
|  |             |  |       | SEE CHART  | SD-500617-001 | 1 OF 1   |                        |  |
|  |             |  |       | THIS DRAWING CONTAINS INFORMATION THAT IS PROPRIETARY TO MOLEX<br>INCORPORATED AND SHOULD NOT BE USED WITHOUT WRITTEN PERMISSION |               |  |                        |  |

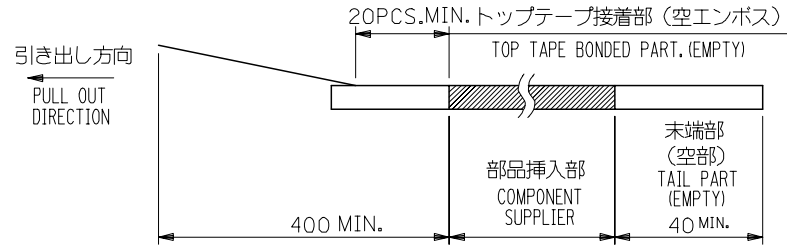
引き出し方向  
PULL OUT  
DIRECTION



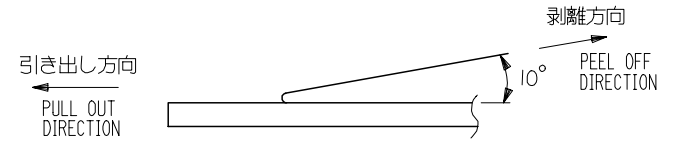
DETAIL "F"

NOTES

- 製品詳細寸法については図面 SD-500617-001 を参照下さい。  
RE DETAILED DIMENSION, SEE SD-500617-001
- 梱包数量：1600個/リール  
NUMBER OF CONNECTORS : 1600PCS/REEL
- リードテープ長さ LEAD TAPE LENGTH



- トップテープの剥離強度：0.1N ~ 0.7N(10.2gf ~ 71.4gf)  
(剥離方向は下図参照)  
尚、本規格値は出荷時に適用。(但し、輸送時に剥離が発生しないこと。)  
PEELING OFF FORCE OF TOP TAPE : 0.1N ~ 0.7N(10.2gf ~ 71.4gf)  
(PEELING DIRECTION AS SHOWN IN FOLLOWING FIG.)  
THIS REQUIREMENT SHOULD BE APPLIED AT SHIPMENT.  
PEEL OFF SHOULD NOT BE ALLOWED , DURING TRANSPORTATION.

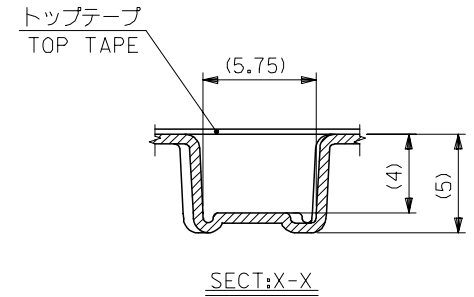
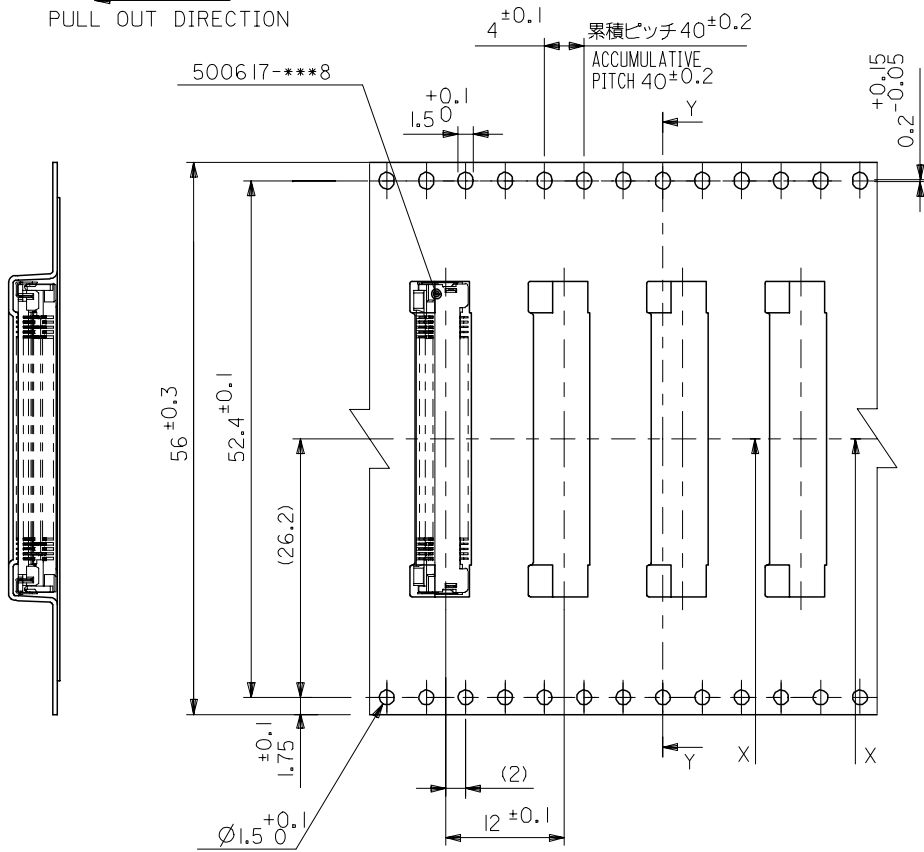
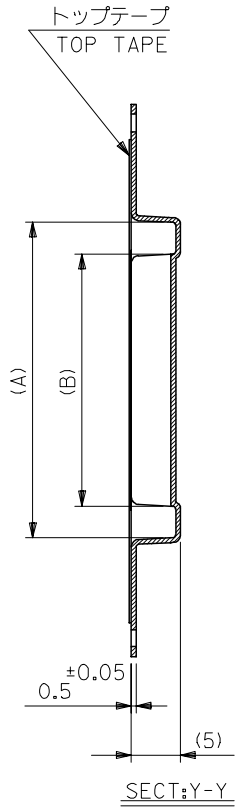


- 材料 (MATERIAL)  
キャリアテープ (CARRIER TAPE) : ポリプロピレン (POLYPROPYLENE)  
トップテープ (TOPTAPE) : PET, PE, PEF  
リール (REEL) : ポリスチレン (P.S) <リサイクル材を含む>  
POLYSTYRENE (P.S) <RECYCLE MATERIAL CONTAINED>

|  |                                       |  |                            |                    |   |  |                        |
|--|---------------------------------------|--|----------------------------|--------------------|---|--|------------------------|
| REVISED<br>EC NO: J2005-2483<br>DRAWN: TAKEMOTO 2005/04/13<br>CHKD: TANAKA 2005/04/14<br>APPR: NUKITA 2005/04/19 | GENERAL TOLERANCES (UNLESS SPECIFIED) |  | DIMENSION STYLE<br>MM ONLY |                    | SCALE<br>---  | DESIGN UNITS<br>METRIC   | THIRD ANGLE PROJECTION |
|  | 10 UNDER                              | ±0.2   | DRAWN BY<br>SMATSUZAKI     | DATE<br>2003/09/10 | TITLE<br>0.5 FPC CONN. E/O R/A<br>EMBOSS TAPE PACKAGE |  |                        |
|  | 10 OVER 30 UNDER                      | ±0.25  | CHECKED BY<br>SAIHARA      | DATE<br>2003/09/11 | MOLEX INCORPORATED                                    |  |                        |
|  | 30 OVER                               | ±0.3   | APPROVED BY<br>TYAMAGUCHI  | DATE<br>2003/09/11 | DOCUMENT NO.<br>SD-500617-002                         | SHEET NO.<br>1 OF 2  |                        |
|  | ANGULAR ±3 °                          | DRAFT WHERE APPLICABLE<br>MUST REMAIN<br>WITHIN DIMENSIONS |                            | SEE SHEET 2 OF 2   |   | THIS DRAWING CONTAINS INFORMATION THAT IS PROPRIETARY TO MOLEX<br>INCORPORATED AND SHOULD NOT BE USED WITHOUT WRITTEN PERMISSION |                        |

10 9 8 7 6 5 4 3 2 1

引き出し方向  
PULL OUT DIRECTION



56mm幅キャリアテープ  
56mm WIDTH CARRIER TAPE

|                                |    |      |      |         |              |               |             |    |
|--------------------------------|----|------|------|---------|--------------|---------------|-------------|----|
| LEAD-FREE                      | 56 | 57.5 | 25.6 | 32      | TIN          | TIN-LEAD      | 500617-5093 | 50 |
|                                |    |      |      |         | TIN-COPPER   | GOLD          | 500617-5092 |    |
|                                |    |      |      |         | TIN          | TIN-BISMUTH   | 500617-5091 |    |
|                                |    |      |      |         | NAIL         | TERMINAL      | 500617-5090 |    |
| キャリアテープ幅<br>CARRIER TAPE WIDTH | C  | (B)  | (A)  | PLATING | MATERIAL NO. | 種数<br>CIRCUIT |             |    |

|   |                                       |   |                            |                    |   |                               |                        |
|---|---------------------------------------|---|----------------------------|--------------------|---|-------------------------------|------------------------|
| REVISED<br>EC NO: J2005-2483<br>DRAWN: TAKEMOTO 2005/04/13<br>CHKD: TANAKA 2005/04/14<br>APPR: NUKITA 2005/04/19              | GENERAL TOLERANCES (UNLESS SPECIFIED) |   | DIMENSION STYLE<br>MM ONLY |                    | SCALE<br>---  | DESIGN UNITS<br>METRIC        | THIRD ANGLE PROJECTION |
|   | 10 UNDER                              | ± 0.2   | DRAWN BY<br>SMATSUZAKI     | DATE<br>2003/09/10 | TITLE<br>0.5 FPC CONN. E/O R/A<br>EMBOSS TAPE PACKAGE |                               |                        |
|   | 10 OVER 30 UNDER                      | ± 0.25  | CHECKED BY<br>SAIHARA      | DATE<br>2003/09/11 | APPROVED BY<br>TYAMAGUCHI 2003/09/11                  |                               |                        |
|   | 30 OVER                               | ± 0.3   | MATERIAL NO.               |                    | MOLEX INCORPORATED                                    |                               |                        |
| ANGULAR ± 3 °   |                                       | DRAFT WHERE APPLICABLE<br>MUST REMAIN WITHIN DIMENSIONS |                            | SEE CHART          |   | DOCUMENT NO.<br>SD-500617-002 | SHEET NO.<br>2 OF 2    |
| THIS DRAWING CONTAINS INFORMATION THAT IS PROPRIETARY TO MOLEX INCORPORATED AND SHOULD NOT BE USED WITHOUT WRITTEN PERMISSION |                                       |   |                            |                    |   |                               |                        |