



## Push/pull Quick Disconnect Metal Connectors, Signal and Power

- Up to 25 ways.
- Modularity mixed signal & power contacts.
- Clip contact retaining system.
- Easy quick disconnect Push Pull locking system.
- >10 000 mating and unmating cycles.
- Sealed IP56
- Visual check of right locking.

### Technical Characteristics

MECHANICAL		ELECTRICAL	
<b>SHELL</b>		<b>Insulation resistance</b> >10 <sup>5</sup> MΩ (under 500 VDC)	
Material	Brass	ENVIRONMENTAL DJ DK DL DM	
Plating	Nickel	<b>Environmental category</b>	Standard: -55° +125° 56 days NFC 20-700
<b>INSERT</b>		<b>Environmental level</b>	IP 56 NFC 20-010
Insulator	Diallyl - phtalate		
Contacts	Brass		
Plating	Au/Ni		
<b>SEALS</b>			
Material	Neopren or silicon		
<b>Insertion and extraction force by contact</b>			
	Ø 0,60: 0,70N Maxi	Ø 0,76: 0,90N Max	
	Ø 1,00: 1,00N Maxi	Ø 1,20: 1,20N Max	
	Ø 1,50: 1,40N Maxi	Ø 2,00: 4,00N Max	
	Ø 2,50: 7,00N Maxi	Ø 3,50: 9,00N Max	

Ordering Information

D
J .
0 4 1
1 3
4 0
1
4

**FAMILY**

**SHELL**

J . JD K . L . M .

**ARRANGEMENT**

example

Nb	4
Ø	1

To choose corresponding reference to number and Ø of the contacts in chart see "arrangement" overview

**PART POLARITY**

Male plug	13	Male receptacle	23
Female plug	12	Female receptacle	22
Male extension	33		
Female extension	32		

**TERMINATION**

Crimp	20
Solder	40

**CABLE CLAMP TYPE**

Shell DJ, DJD, DK, DL, DM,

Cable Clamp	1
Cable Clamp + Seal	2
C.C. + Shielding for DJ,DK,DL Shells	3

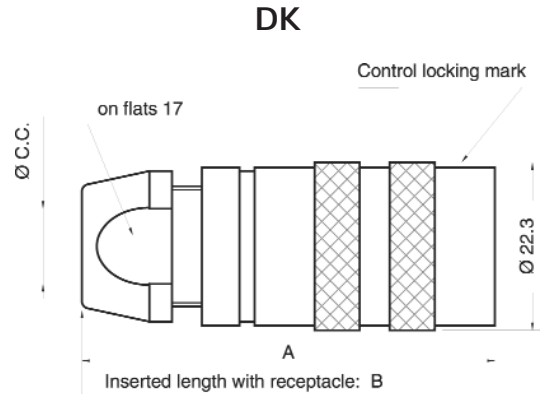
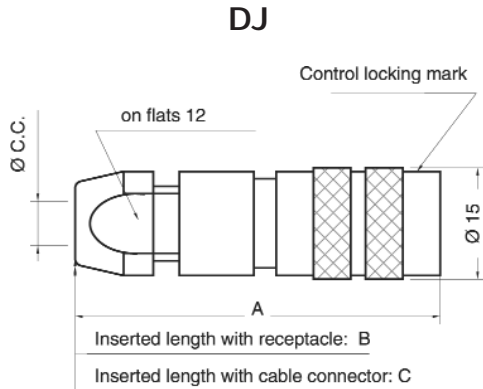
**CABLE CLAMP Ø**

Shells Type

DJ&DJD	DK	DL	DM	Reference
Ø 4	Ø 5	Ø 8	Ø 14	1
Ø 4,30	Ø 7	Ø 10	Ø 16	2
Ø 4,90	Ø 8	Ø 12	Ø 18	3
Ø 6,50	Ø 10	Ø 14	Ø 20	4
	Ø 11			5

Dimensions

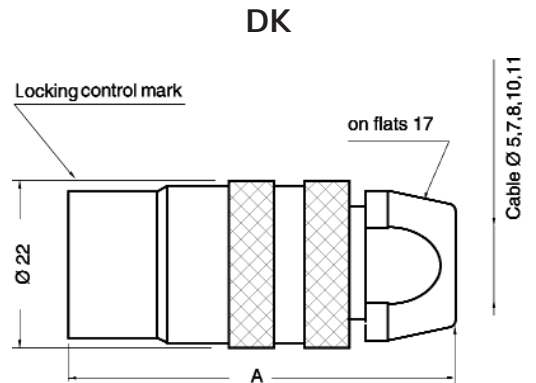
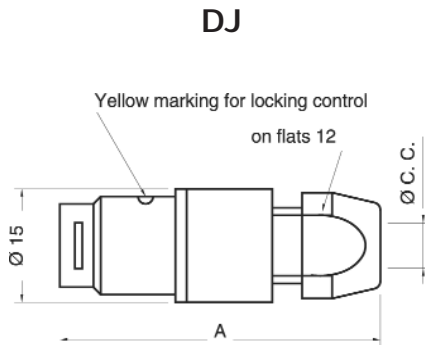
Female or male plug



Dimensions			Cable Clamp (C.C.)	Type
A	B	C		
45	48	72	C.C. unproof	1
53	56	91	C.C. sealed-gasket	2
42	45	75	C.C. for shielded cable	3

Dimensions		Cable Clamp (C.C.)	Type
A	B		
55	62	C.C. unproof	1
68	75	C.C. sealed-gasket	2
55	62	C.C. for shielded cable	3

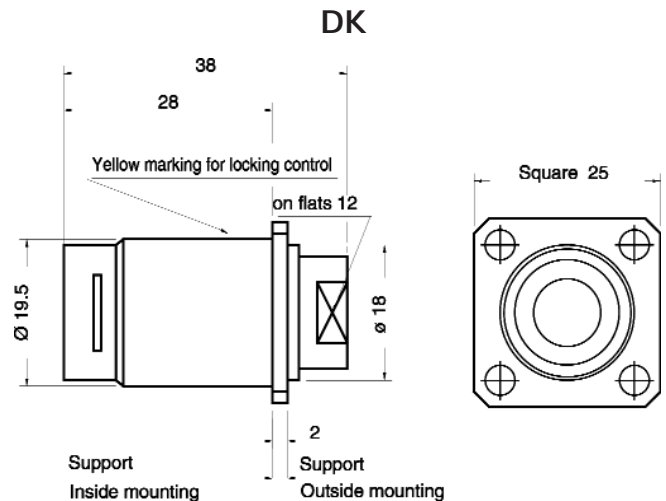
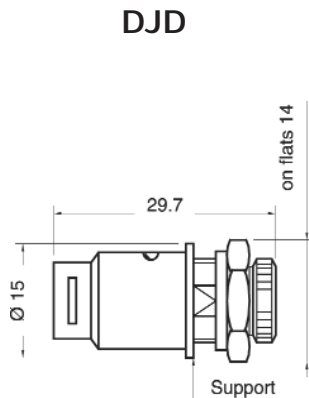
Female or male extension



Dimensions	Cable Clamp (C.C.)	Type
A		
43	C.C. unproof	1
54	C.C. sealed-gasket	2
43	C.C. for shielded cable	3

Dimensions	Cable Clamp (C.C.)	Type
A		
51,50	C.C. unproof	1
65,20	C.C. sealed-gasket	2
55	C.C. for shielded cable	3

Female or male receptacle



Dimensions are in mm

Arrangements overview

Arrangements

Cable clamp type

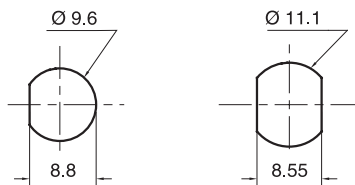
Reference	Male receptacle seen from cabling side	Contact Resistance in mΩ		Current rating (A)		Current for all contacts (A)		Break down voltage (V)		Female receptacle seen from cabling side	Type			
		Service	Peak	Service	Peak	Contact to contact	Contact to mass	1	2		3	Reference		
<b>D J . 041</b> 4 Contacts Ø 1		4	14 24	7	15	1200	1200				Ø4	Ø4	Ø4,3	1 2 3
<b>D J . 507</b> 5 Contacts Ø 0,76		5	10 17	5	10	1250	1500				Ø6,5	Ø6,5		4
<b>D K . 415</b> 4 Contacts Ø 1,50		2,5	17 24	12	18	2000	2000				Ø5	Ø5	Ø7	1 2
<b>D K . 712</b> 7 Contacts Ø 1,20		3,5	15 21	9	14	1400	1700				Ø8	Ø8	Ø10	3 4
											Ø11	Ø11		5

ex: C.C. sealed-gasket Ø4,30. Ref: 23

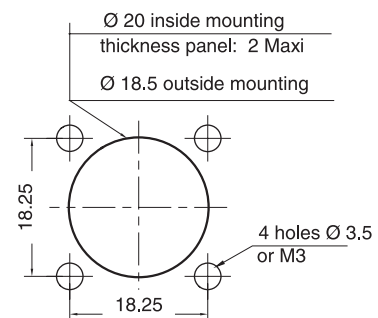
ex: C.C. unproof Ø10. Ref: 14

Preparation board details

DJD



DK

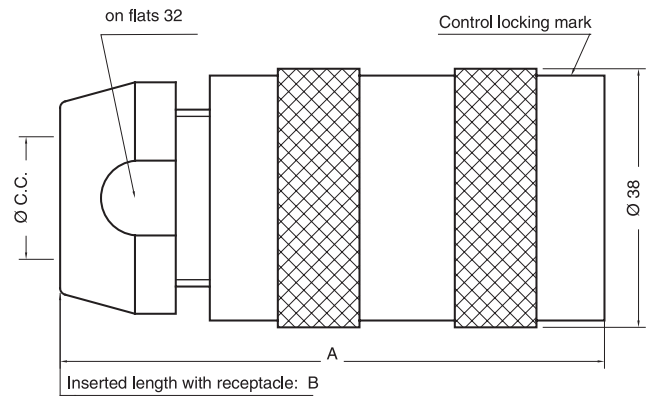
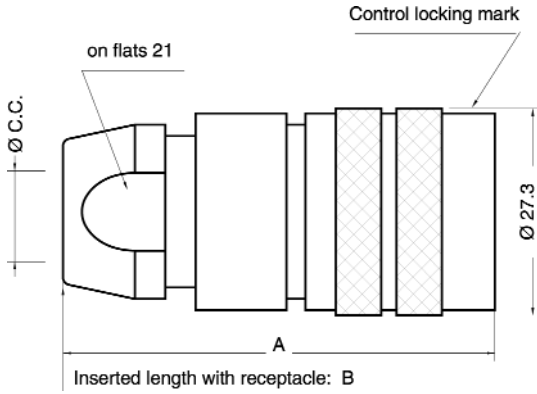


Dimensions

Female or male plug

DL

DM



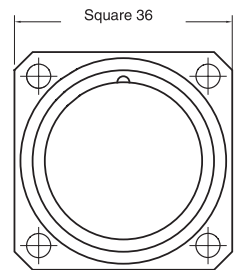
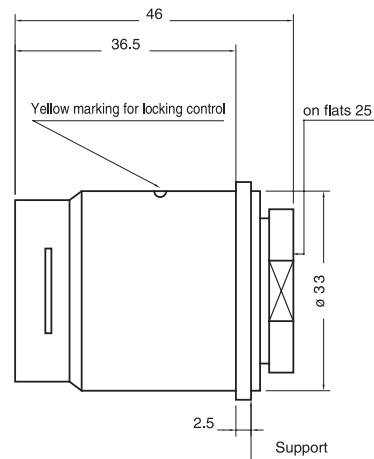
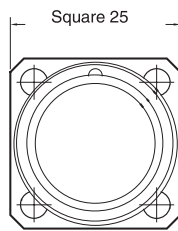
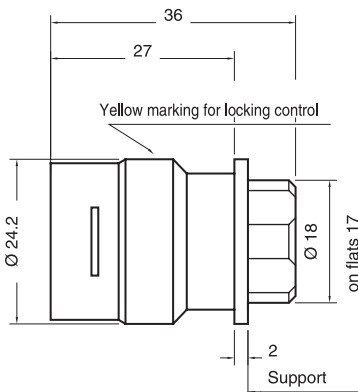
Dimensions	Cable Clamp (S.C.)	Type
A B		
57 65	C.C. unproof	1
68 76	C.C. sealed-gasket	2
57 65	C.C. for shielded cable	3

Dimensions	Cable Clamp (S.C.)	Type
A B		
80 90	C.C. unproof	1
104 114	C.C. sealed-gasket	2

Female or male receptacle

DL

DM



Female or male extension

Consult us

Dimensions are in mm

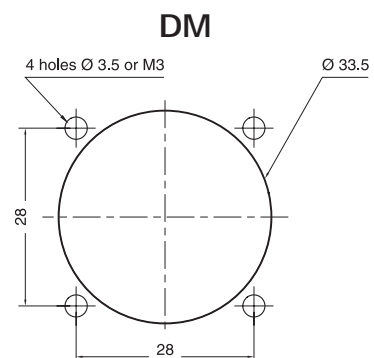
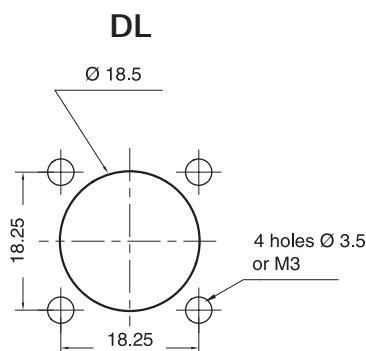
### Arrangements overview

Arrangements										Cable clamp type																					
Reference	Male receptacle seen from cabling side	Contact Resistance in mΩ				Current rating (A)				Break down voltage (V)		Female receptacle seen from cabling side	Type																		
		Service	Peak	Service	Peak	Service	Peak	Contact to contact	Contact to masse	1	2		3	Reference																	
<b>DL . 121</b> 12 Contacts Ø 1,20		3,5	15	21	8	11	1750	1750		Ø8	Ø8	Ø8	1																		
	Ø10									Ø10	Ø10	2																			
	Ø12									Ø12		3																			
	Ø14									Ø14		4																			
	ex: C.C. sealed-gasket Ø10. Ref: 12																														
<b>DM . 235</b> 2 Contacts Ø 3,50		1,5	38	60	34	50	3000	3000		Type																					
	Ø14									Ø14		1																			
	Ø16									Ø16		2																			
	Ø18									Ø18		3																			
<b>DM . 725</b> 7 Contacts Ø 2,50		2	30	50	14	25	1600	2250		Ø20	Ø20		4																		
	ex: C.C. unproof Ø20. Ref: 14																														
	<b>DM . 161</b> 16 Contacts Ø 1,50										2,50	19	29	9	14	2000	2200														
										<b>DM . 221</b> 22 Contacts Ø 1,20										3,50	15	23	5	8	1500	2000					
<b>DM . 906</b> 4 Ø 1,50 +21Contacts Ø 0,60			2,50	9,5	22	7	15	2000	2200																						

#### Tools

Crimp tool for Contact	Ø 0,6	DM . 906
	Ø 1,5	
	M 22520 / 2.01	Astro Tools
		TGV101
Locator	SS 006 00 00 028	SS 015 00 00 002
	-	TGV 201
Removal	SD 006 00 00 006	SD 015 00 00 005

### Preparation board details



Dimensions are in mm