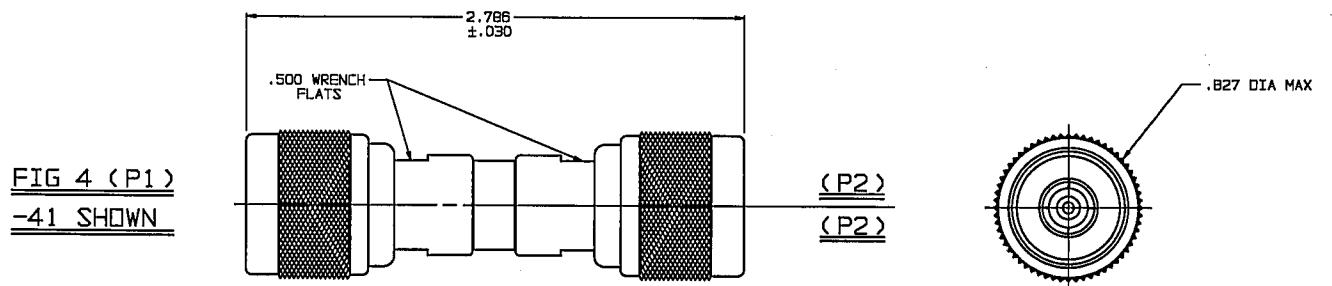
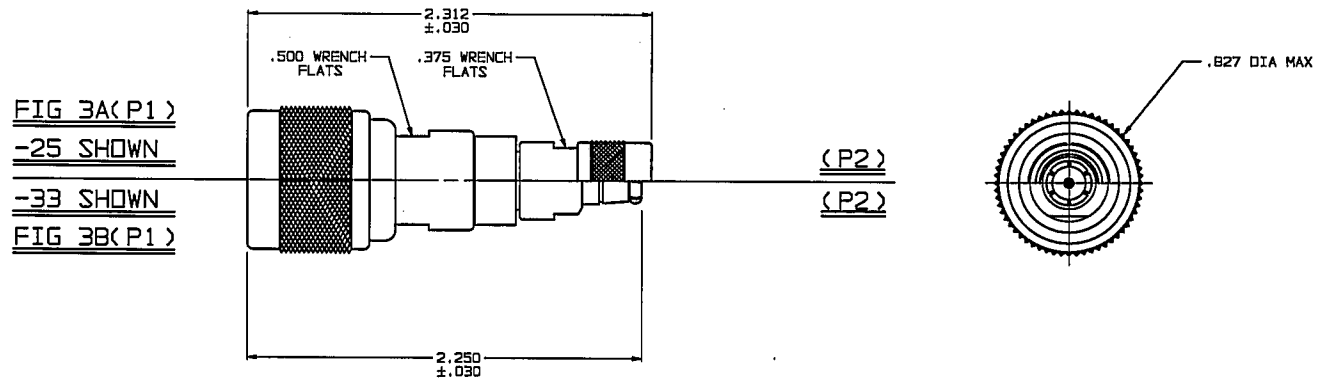
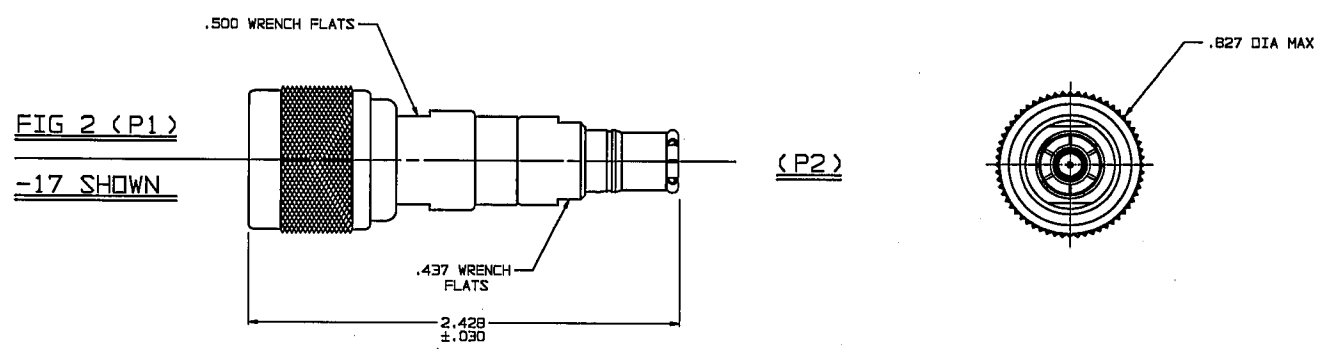
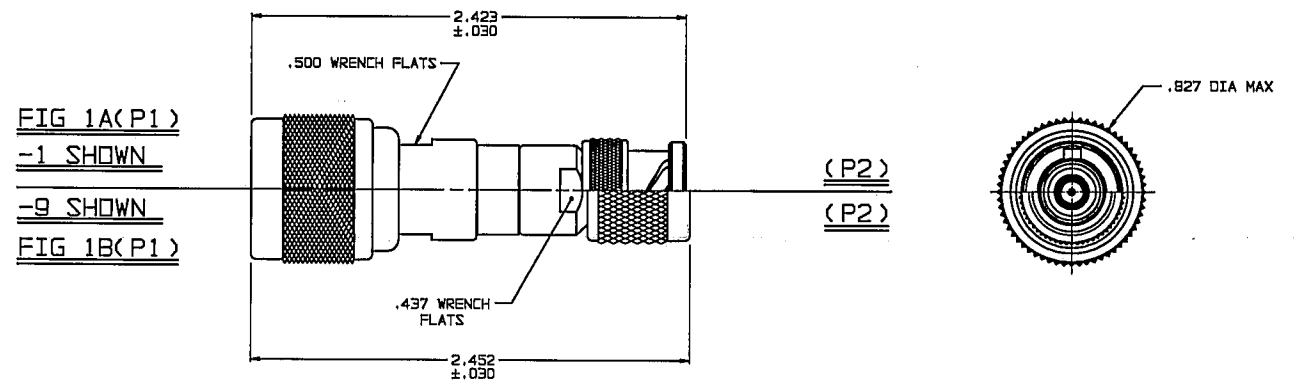
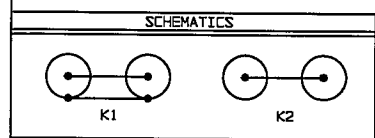


RED INDICATES ORIGINAL

DWG SIZE D	REVISIONS			12-04	SH 1
	REV	ED	DESCRIPTION	DWN	APPROVED
	B	10454	ADDED -41, -42, -43 & 44	DKC	DATE

P2 CONN TYPE	FIG NO	P1 CONN TYPE			
		PL95		UPL95	
		SCHEMATIC			
		K1	K2	K1	K2
DASH NO					
PL20	1A	-1	-2	-3	-4
UPL20	1A	-5	-6	-7	-8
PL40	1B	-9	-10	-11	-12
UPL40	1B	-13	-14	-15	-16
PL123	2	-17	-18	-19	-20
UPL123	2	-21	-22	-23	-24
PL50	3A	-25	-26	-27	-28
PL50FL	3A	-29	-30	-31	-32
PL53	3B	-33	-34	-35	-36
PL350	3A	-37	-38	-39	-40
PL95		-41	-42		
UPL95	4			-43	-44

INCH	MM
.005	0.13
.030	0.76
.375	9.53
.437	11.10
.500	12.70
.827	21.01
2.250	57.15
2.312	58.72
2.423	61.54
2.428	61.67
2.452	62.28
2.786	70.76



5. EXAMPLE OF COMPLETE MODEL NO:
ADAPTER AD - PL95 - K1 - PL20 (P2) CONN TYPE
(P1) CONN TYPE SCHEMATIC
4. EXAMPLE OF COMPLETE PART NO:
BASIC PART NO 12-04-1 DASH NO
3. MALE 50/75 OHM "N" SERIES PLUGS TO 50/75 OHM MALE BNC/TNC PUSH-ON PLUGS/50 OHM MALE TPS/TCM PUSH-ON PLUGS
2. FINISH: TFS-1A (NICKEL)
1. ALL DIMENSIONS ARE IN INCHES

QTY	DESCRIPTION	PART NUMBER	ITEM
TOL UNLESS SPECIFIED .005 ± .000 ±.005 .0000 ± ANGLES	TROMPETER ELECTRONICS, INC.	ADAPTER, MALE "N" SERIES TO MALE BNC/ TNC/TPS/TCM SERIES	
DWN DKC 9-13-83	MATERIAL	CODE IDENT	DRAWING NO.
CHK <i>EM</i> 9-23-83		14949	12-04
ENGR			B
APPR <i>FO</i> 9/23/83	SCALE 2/1	DATE 11-19-85	SHEET 1 OF 2