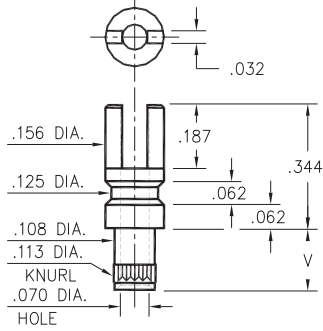


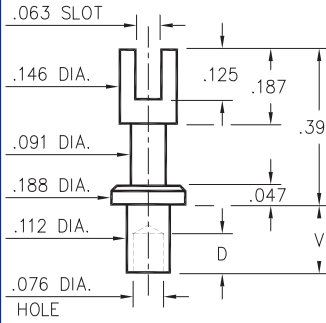
## 2715



**2715-X-01-XX-00-00-07-0**  
Swage mount in .116 hole

- X -	Board Thickness	Length V
2	.062	.109
3	.094	.141
4	.125	.172

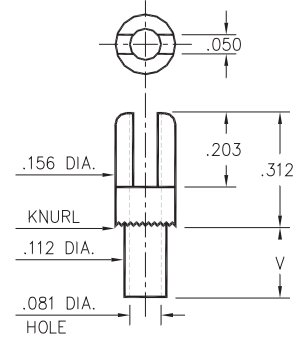
## 2809



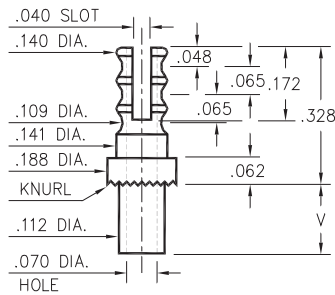
**2809-X-01-XX-00-00-07-0**  
Swage mount in .116 hole

- X -	Board Thickness	Length V	Depth D
1	.031	.078	.068
2	.062	.109	
3	.094	.141	.098
4	.125	.172	

## 2701/2808



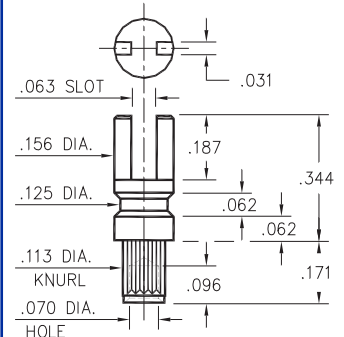
**2701-X-01-XX-00-00-07-0**  
Swage mount in .116 hole



**2808-X-01-XX-00-00-07-0**  
Swage mount in .116 hole

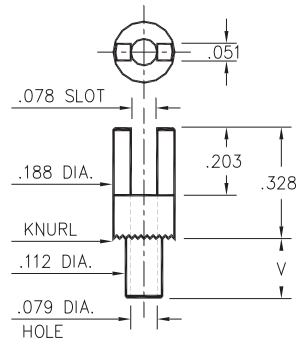
- X -	Board Thickness	Length V
1	.031	.075
2	.062	.105
3	.094	.135
4	.125	.165

## 2762



**2762-4-01-XX-00-00-07-0**  
Swage mount in .116 hole  
For .125 thick board

## 2807



**2807-X-01-XX-00-00-07-0**  
Swage mount in .116 hole

- X -	Board Thickness	Length V
1	.031	.078
2	.062	.109
3	.094	.140
4	.125	.171

### SPECIFICATIONS

**PIN MATERIAL:**  
Brass Alloy 360, 1/2 Hard  
Swage pins are annealed

**DIMENSION IN INCHES**  
**TOLERANCES ON:**  
LENGTHS: ±.005  
DIAMETERS: ±.002  
ANGLES: ± 2°

**ORDER CODE: XXXX - X - 01 - XX - 00 - 00 - 07 - 0**

**BASIC PART #**

**SPECIFY PIN FINISH:**

- 01 200μ" TIN/LEAD OVER NICKEL
- ◇ 80 200μ" TIN OVER NICKEL (RoHS)
- ◇ 44 300μ" SILVER OVER COPPER (RoHS)
- ◇ 50 300μ" ELECTRO-SOLDER (RoHS) (60/40 SnPb)

