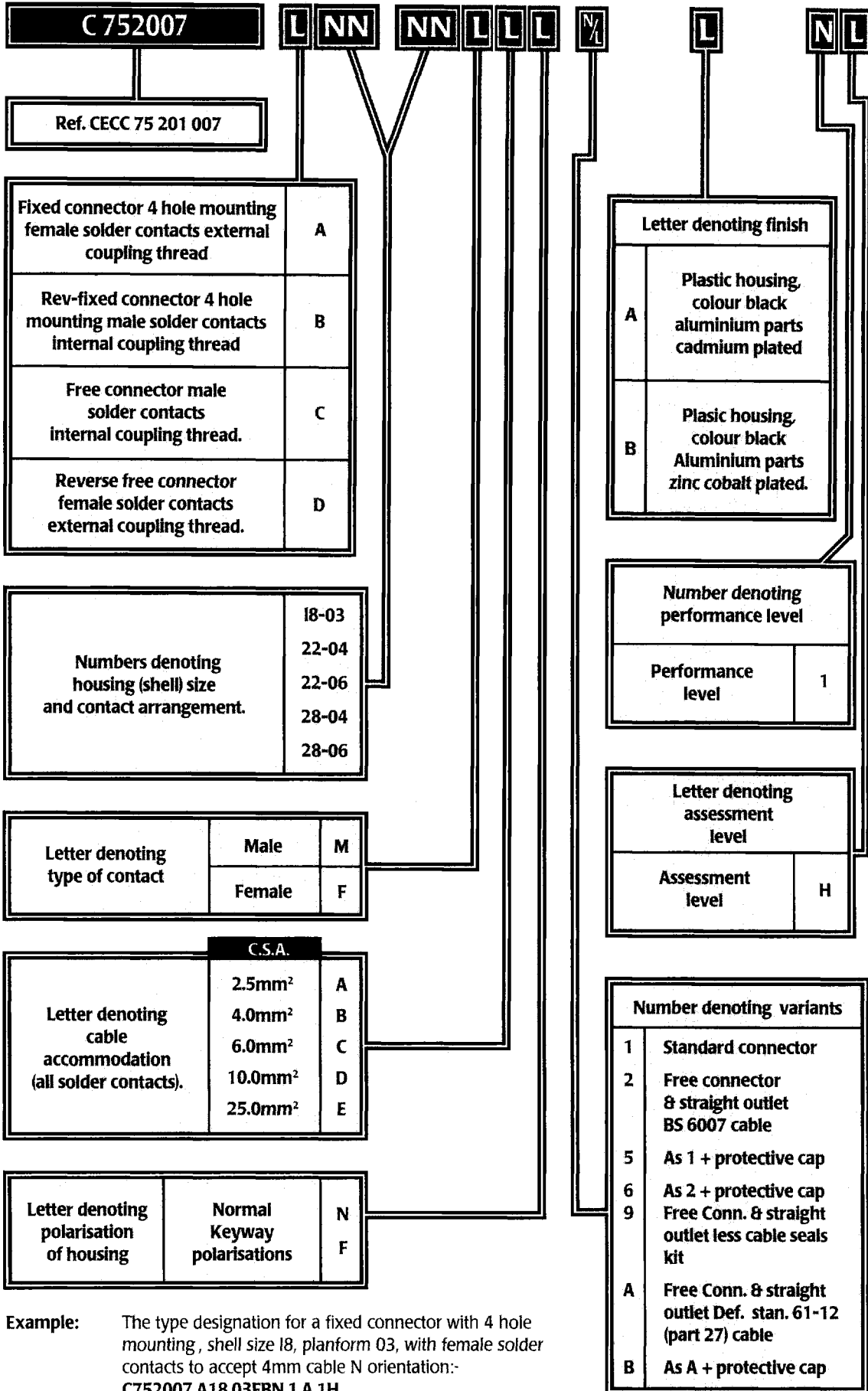
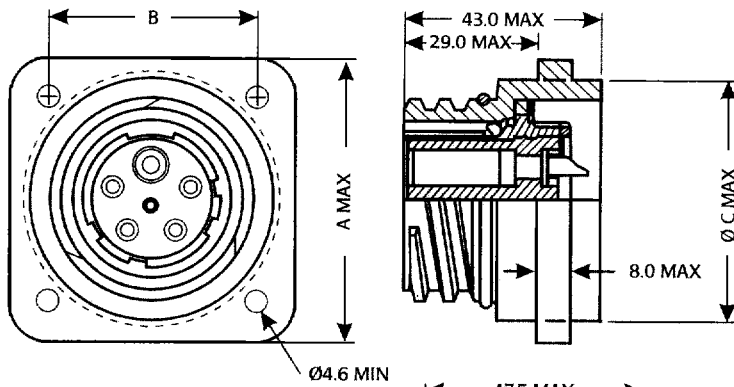


# CECC Part No. Explanation (connector)



**Example:** The type designation for a fixed connector with 4 hole mounting, shell size 18, planform 03, with female solder contacts to accept 4mm cable N orientation:-  
**C752007 A18 03FBN 1 A 1H.**

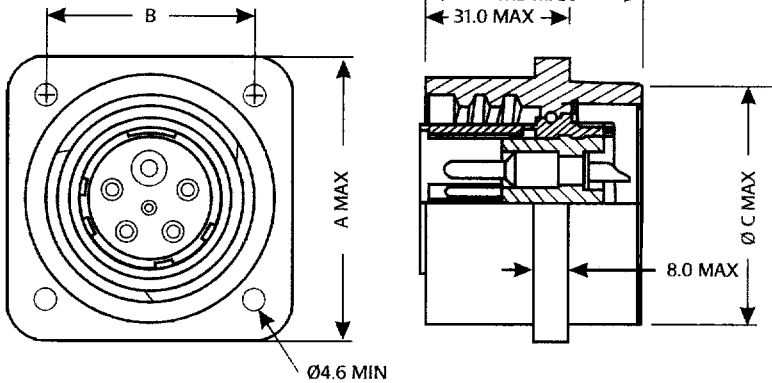
# Connector Styles



Fixed connector  
(socket only)

CECC shell style : A

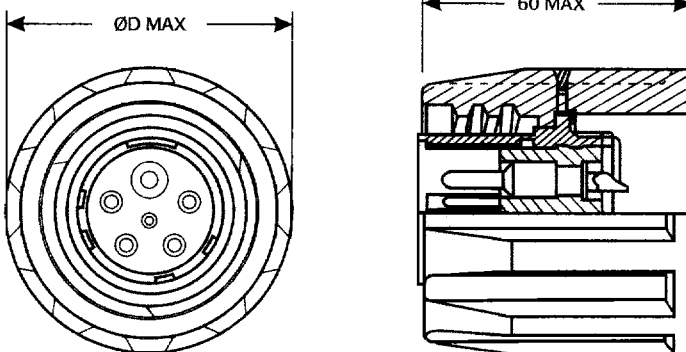
AB shell style : 20



Fixed connector  
Reverse Style  
(pin only)

CECC shell style : B

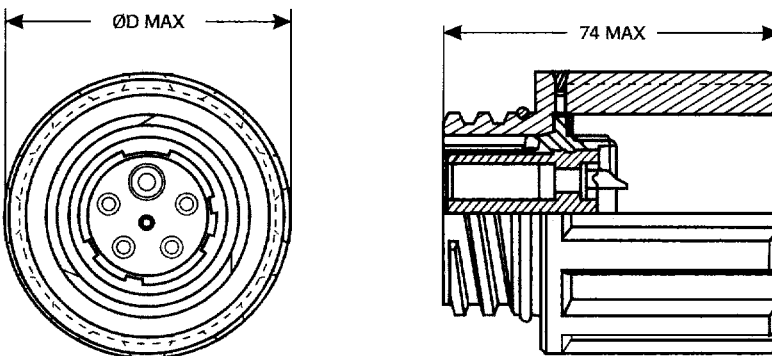
AB shell style : 18



Free connector  
(pin only)

CECC shell style : C

AB shell style : 62



Free connector  
Reverse Style  
(socket only)

CECC shell style : D

AB shell style : 59

SIZE	A MAX	DIM. B	ØC MAX	ØD MAX
18	52.50	37.80	42.50	54.50
22	60.20	44.00	50.50	60.50
28	70.20	54.00	61.50	70.50