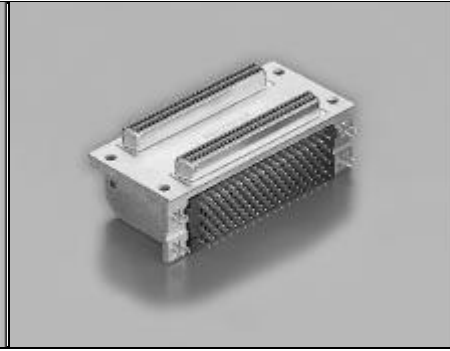
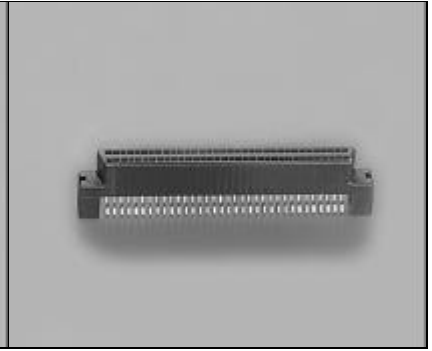


SCSI SINGLE



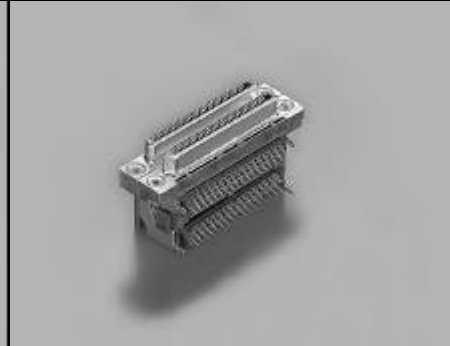
SCSI STACK



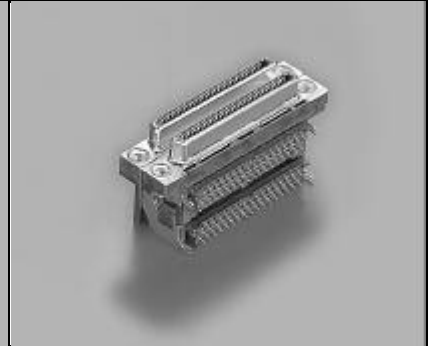
SCSI STRADDLE



ULTRA SCSI SINGLE



ULTRA SCSI WITH COVER



ULTRA SCSI STACK

MATERIALS/FINISHES

INSULATOR
THERMOPLASTIC (UL94V-0)

CONTACT
PHOSPHOR BRONZE
CONTACT AREA:
GOLD OVER Ni (50 90u")
SOLDER AREA:
TIN/LEAD (100 200u") OVER Ni

SHELL
STEEL
Ni PLATING

SPECIFICATION

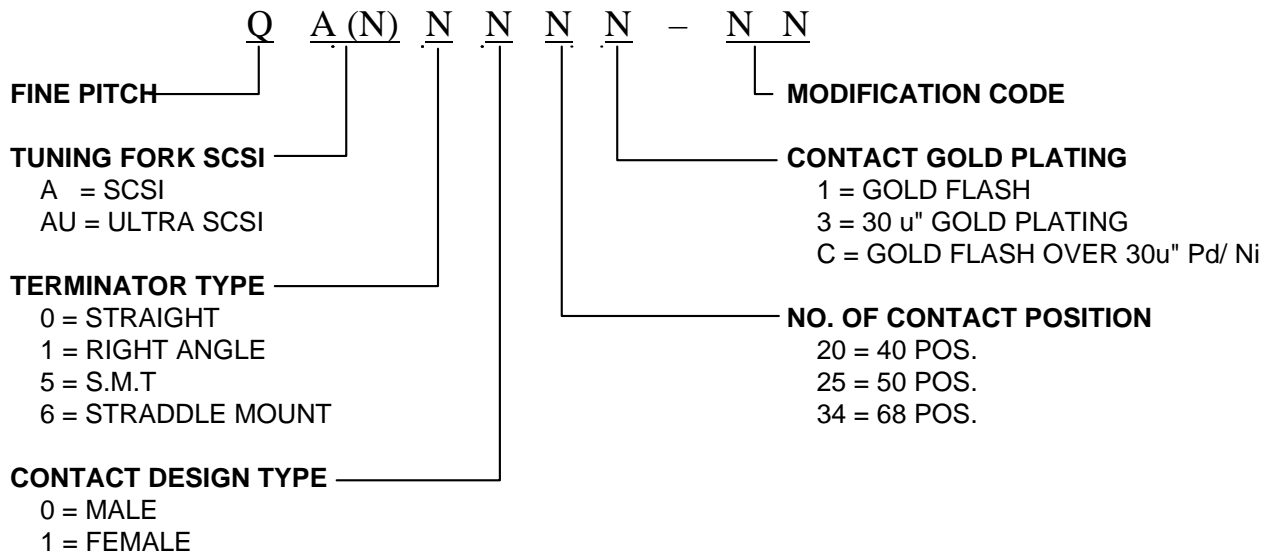
ELECTRICAL CHARACTERISTICS :

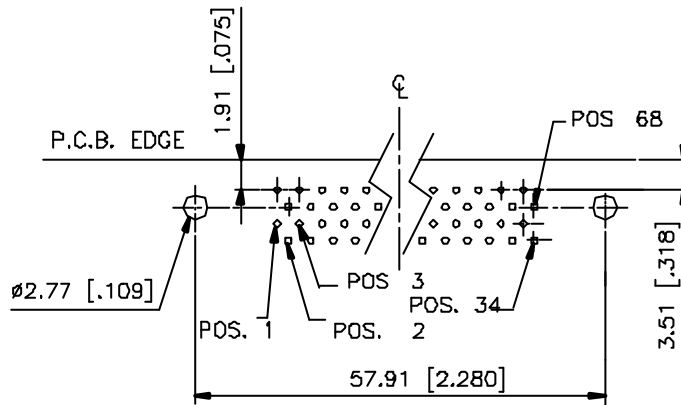
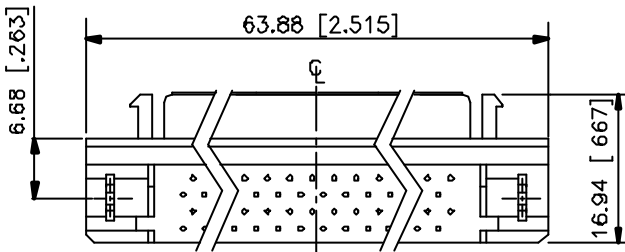
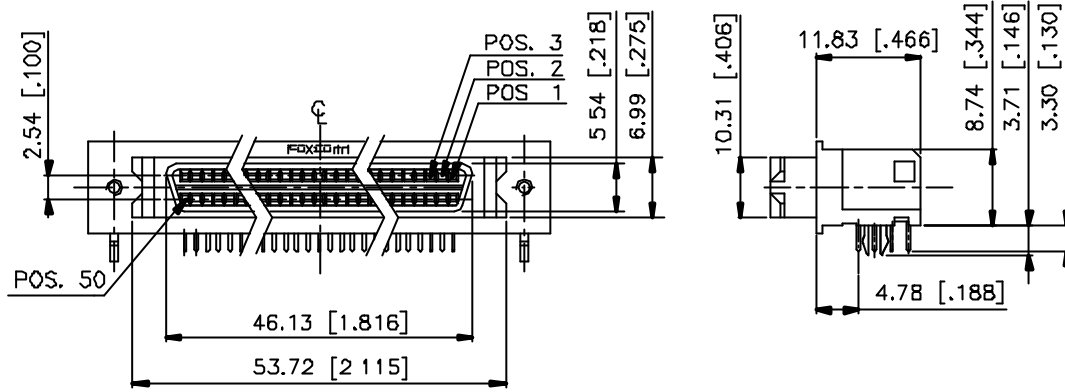
- * LOW LEVEL CONTACT RESISTANCE : 35 m MAX.
- * DIELECTRIC WITHSTANDING VOLTAGE : 500 VAC MIN.
- * INSULATION RESISTANCE : 1000 M MIN.
- * CONTACT CURRENT RATING : 1 Ampere

MECHANICAL CHARACTERISTICS :

- * CONNECTOR INSERTION FORCE : 5 oz. MAX.
- * CONNECTOR EXTRACTION FORCE : 0.6 oz. MAX.
- * DURABILITY : 500 CYCLES
- * OPERATING TEMPERATURE : -50 TO +105

ORDER INFORMATION

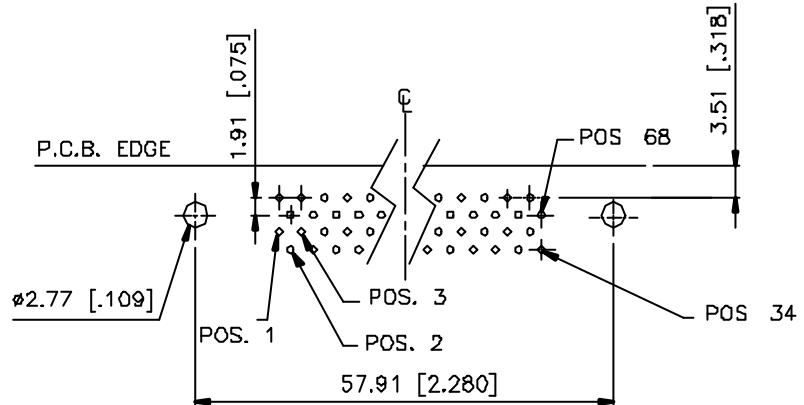
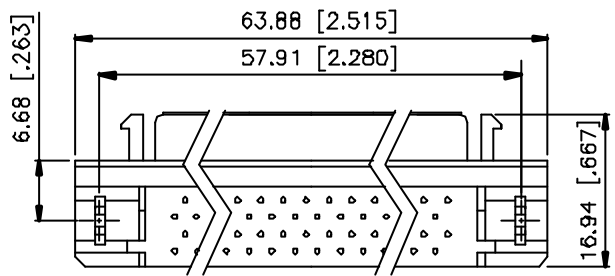
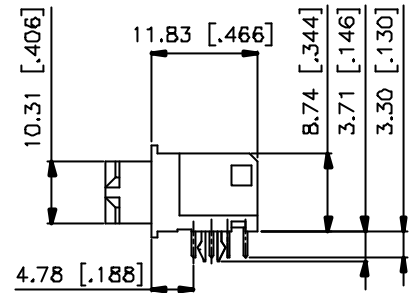
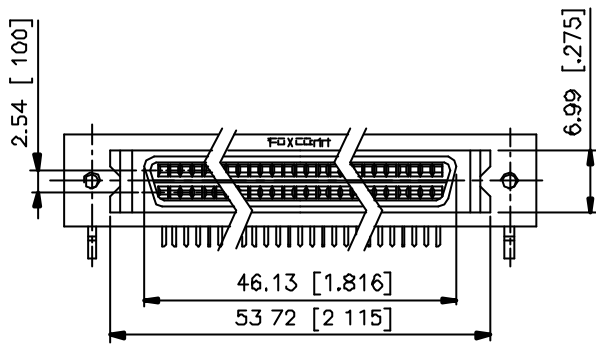




RECOMMENDED P.C.B LAYOUT

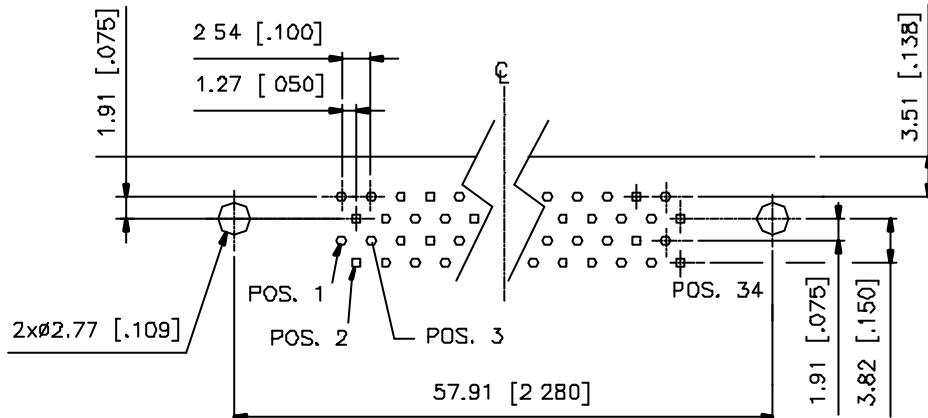
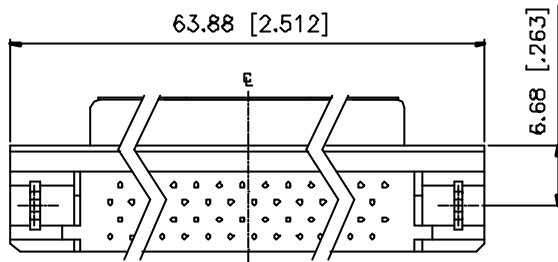
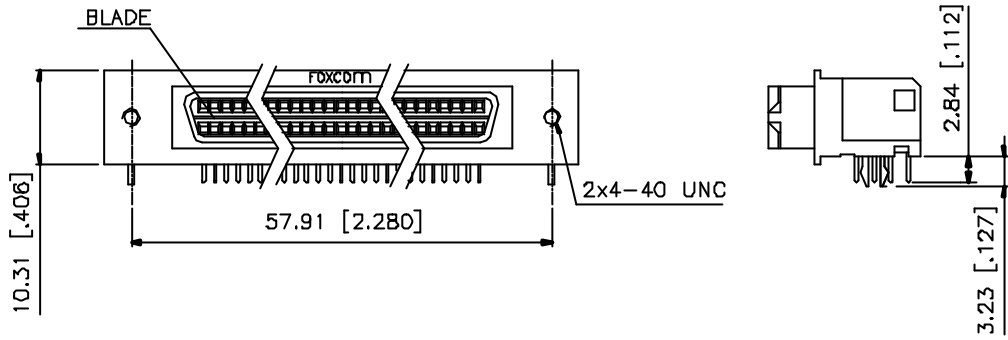
(TOP VIEW)

QA11343-27	68 POS.
PROD. NO.	NO. OF POS



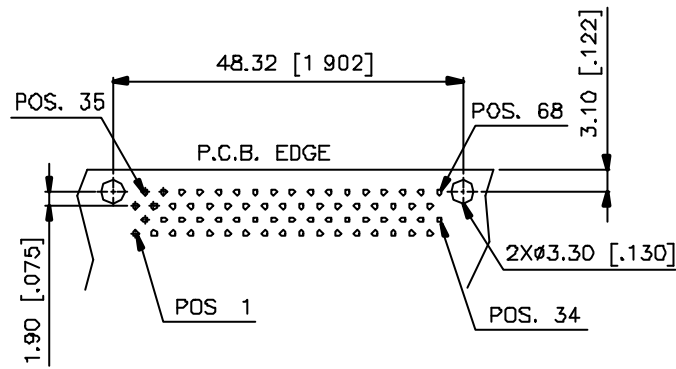
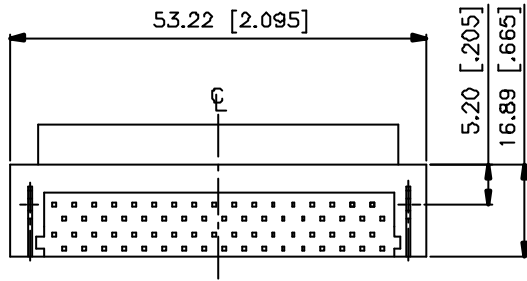
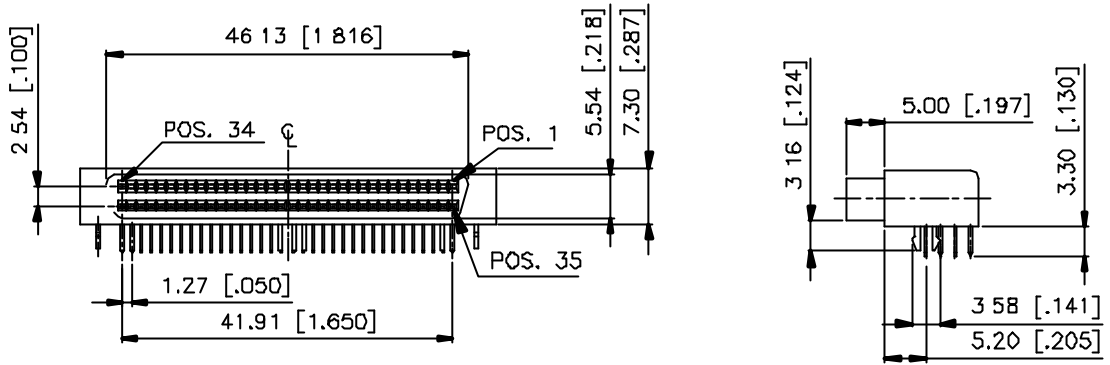
RECOMMENDED P.C.B LAYOUT
(TOP VIEW)

QA11343-68	68 POS.
PROD. NO.	NO. OF POS.



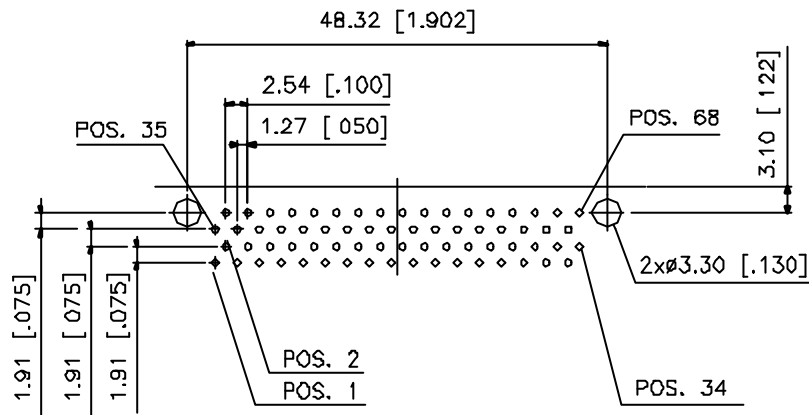
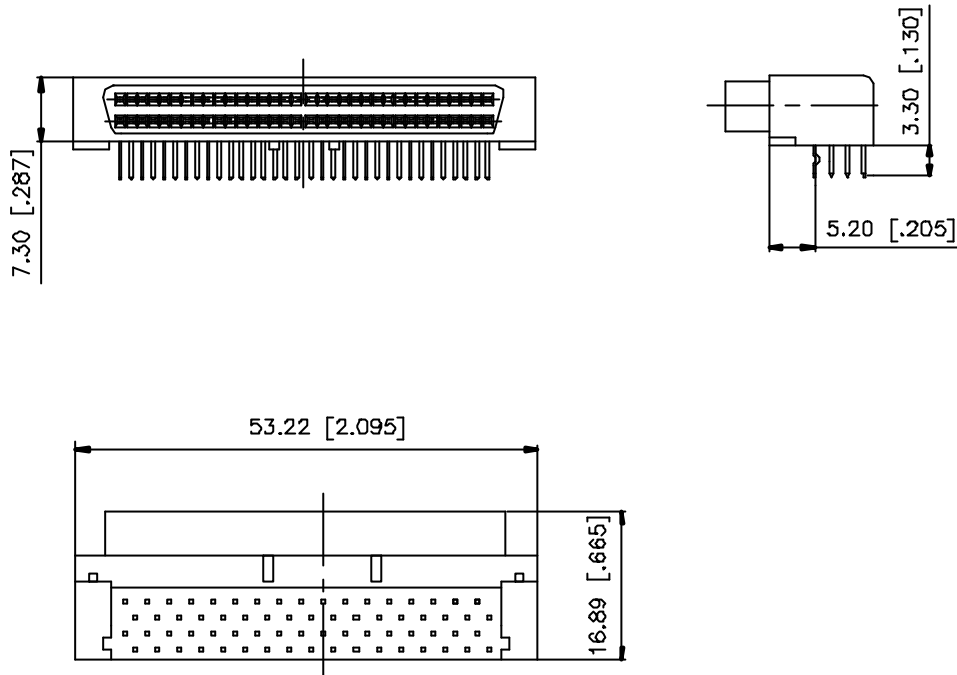
**RECOMMENDED P.C.B LAYOUT
(TOP VIEW)**

QA11343-67	68 POS.
PROD. NO.	NO. OF POS.



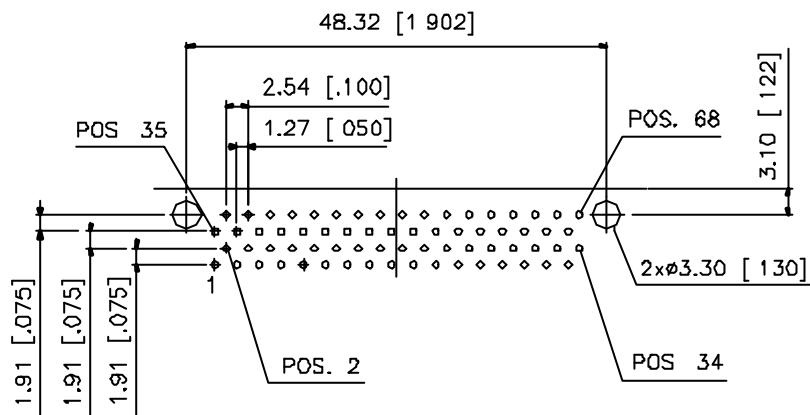
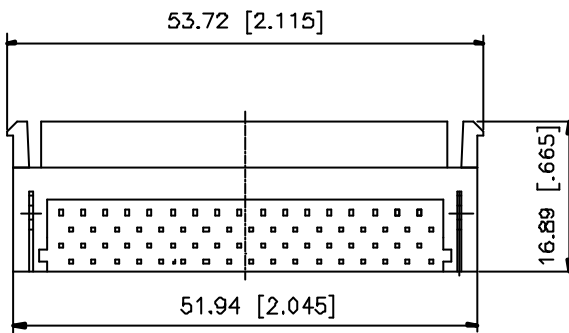
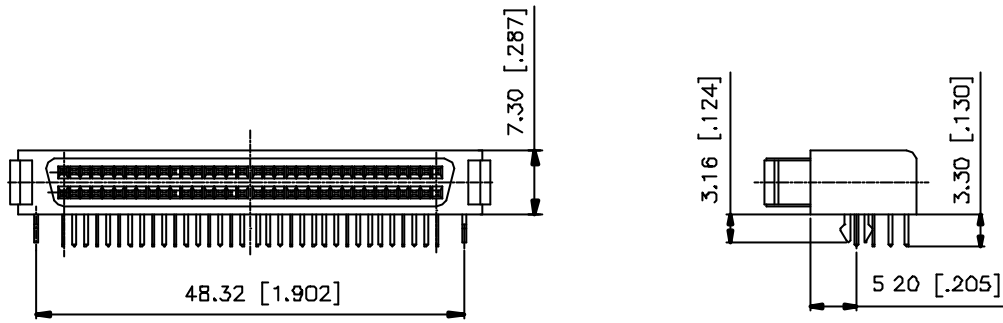
RECOMMENDED P.C.B LAYOUT
(TOP VIEW)

QA11343-P1	68 POS.
PROD. NO.	NO. OF POS.



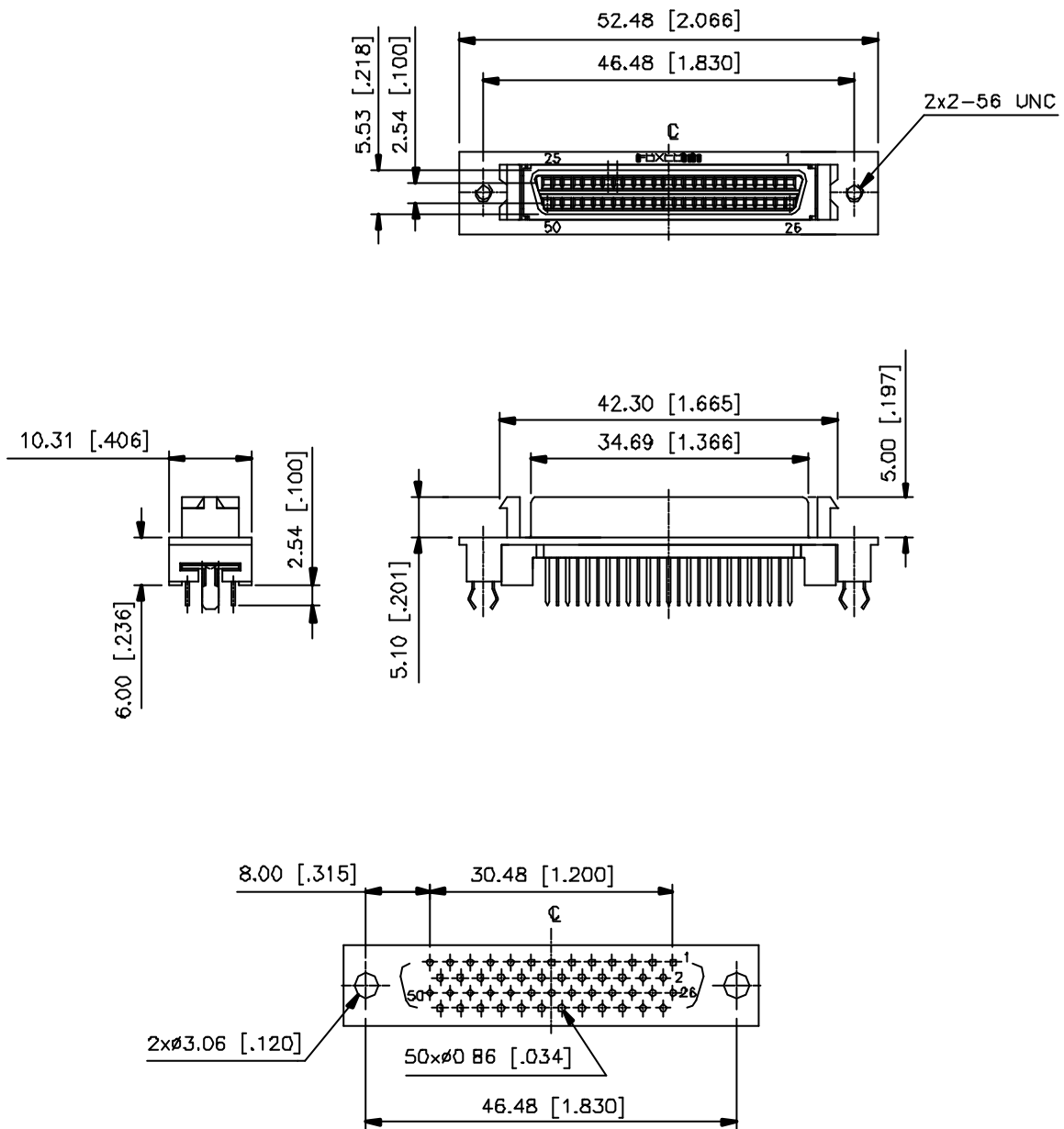
RECOMMENDED P.C.B LAYOUT
(TOP VIEW)

QA11343-P3	68 POS.
PROD. NO.	NO. OF POS.



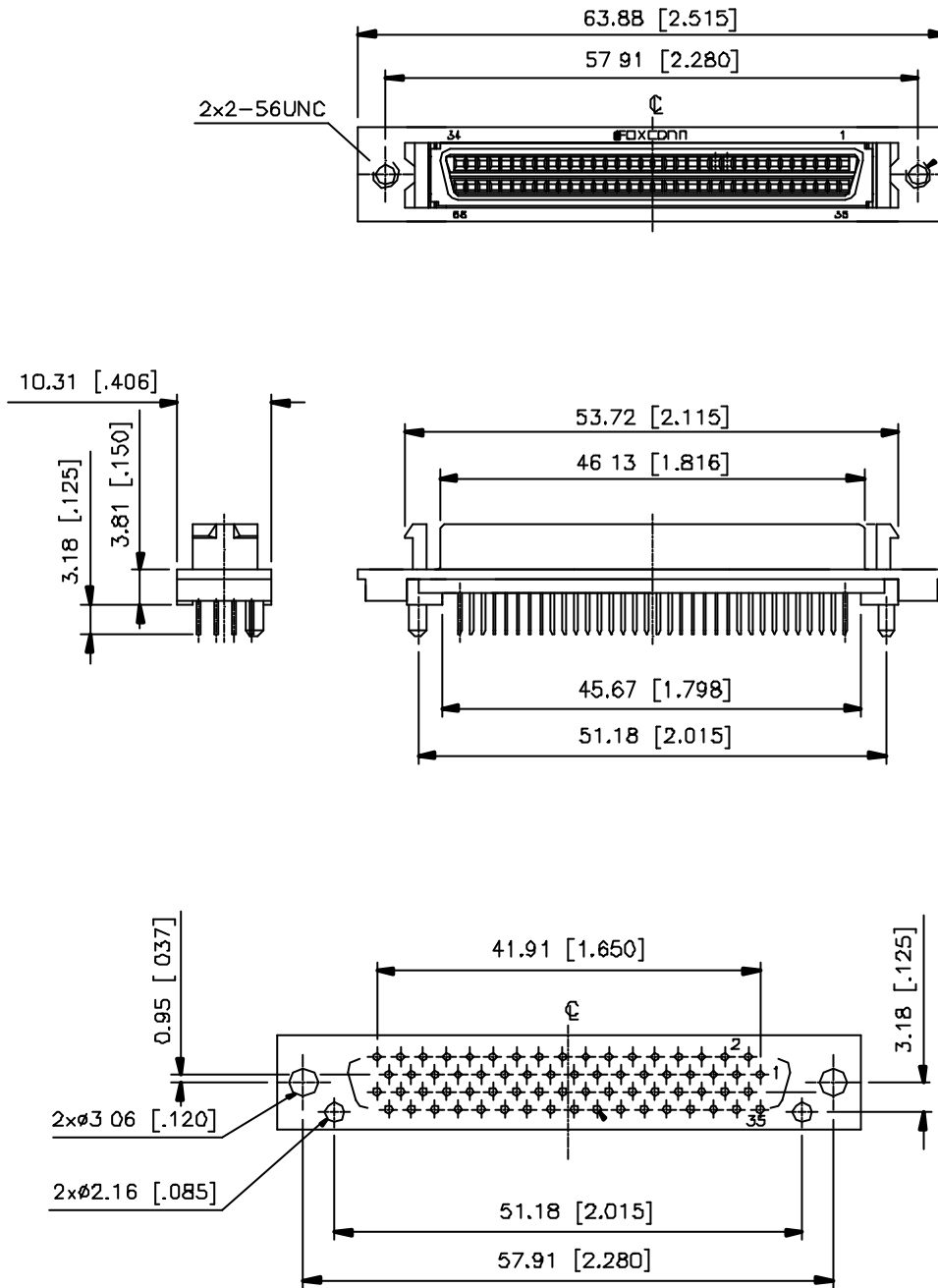
**RECOMMENDED P.C.B LAYOUT
(TOP VIEW)**

QA11343-P11	68 POS.
PROD. NO.	NO. OF POS.



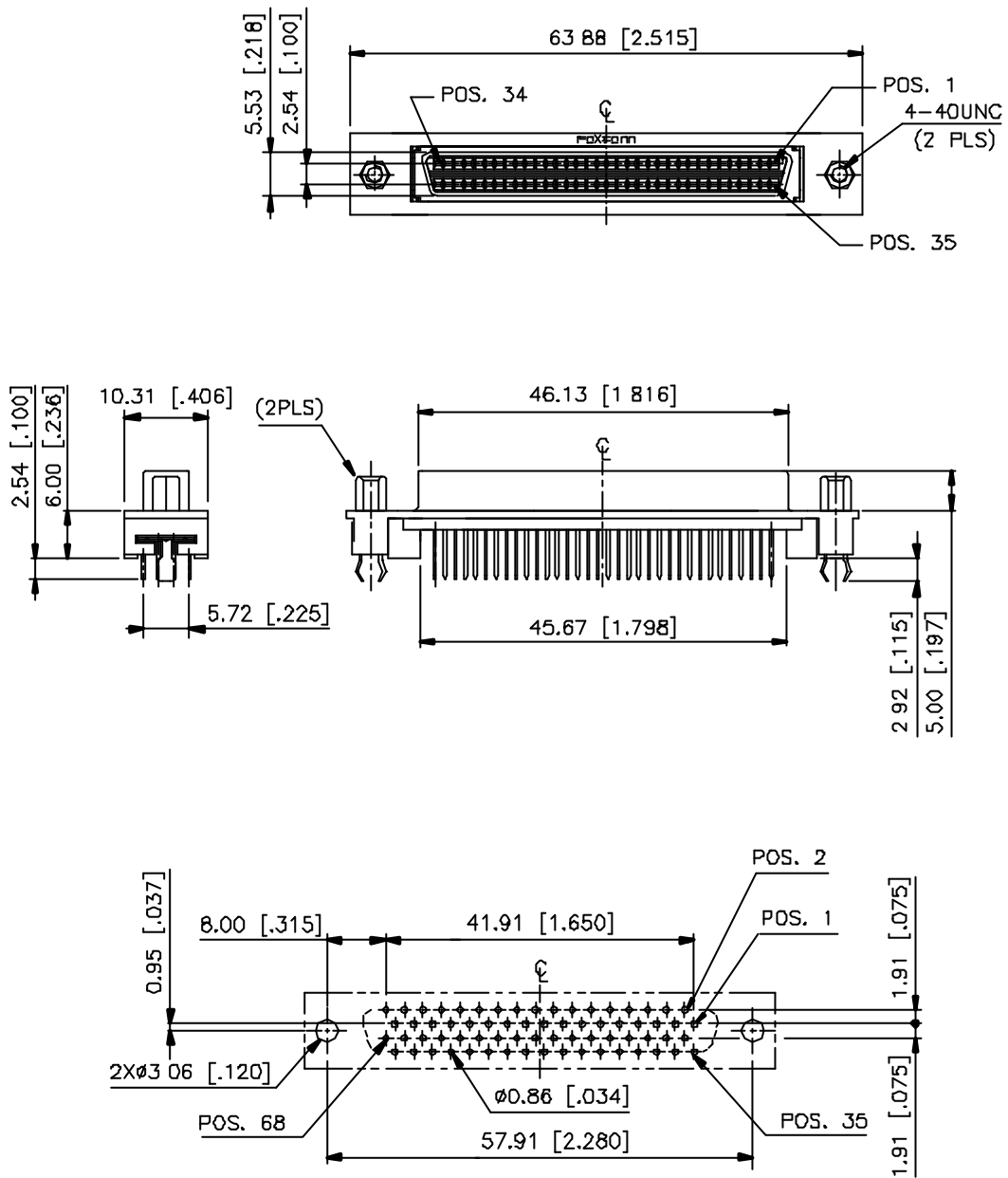
RECOMMENDED P.C.B LAYOUT
(TOP VIEW)

QA01253-21	50 POS.
PROD. NO.	NO. OF POS.



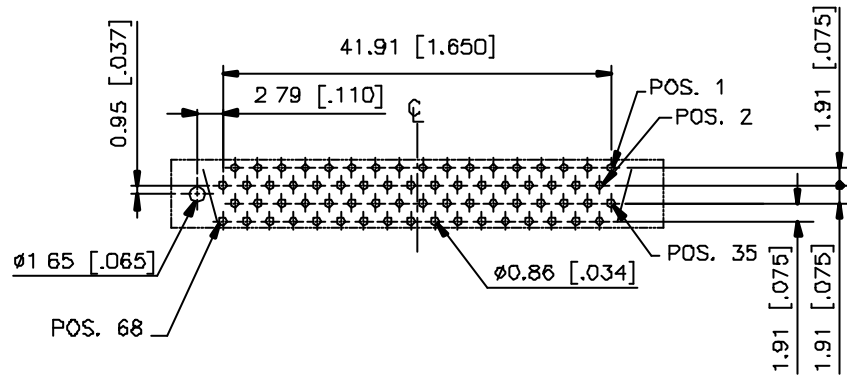
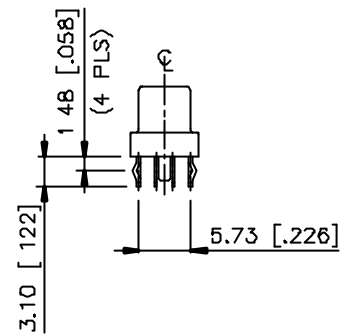
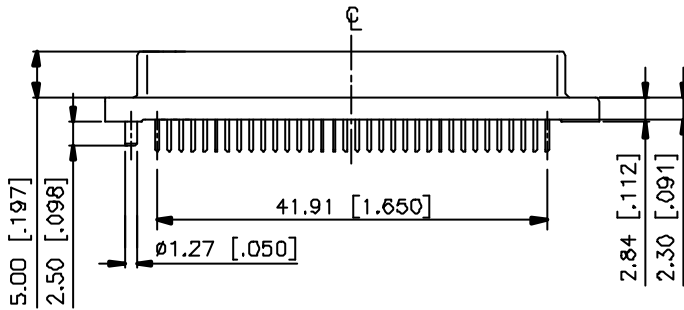
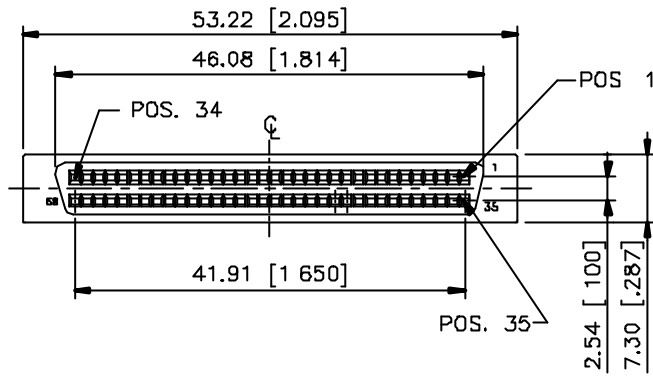
RECOMMENDED P.C.B LAYOUT
(TOP VIEW)

QA01343-09	68 POS.
PROD. NO.	NO. OF POS.



RECOMMENDED P.C.B LAYOUT
(TOP VIEW)

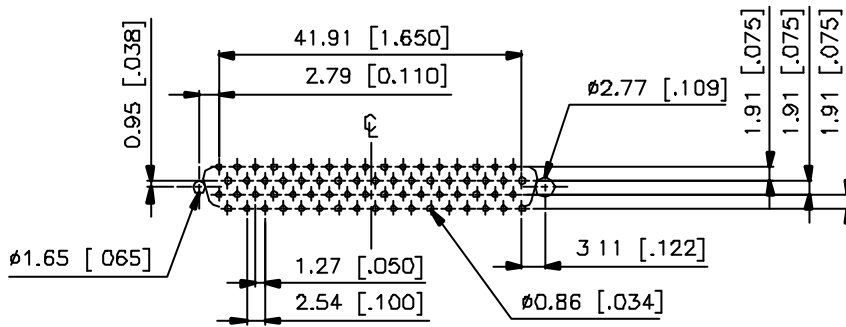
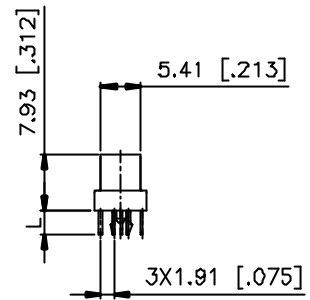
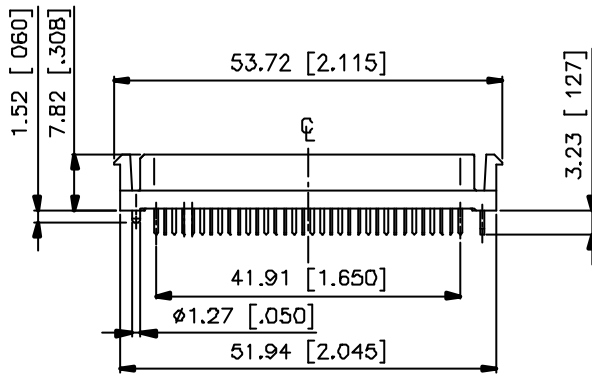
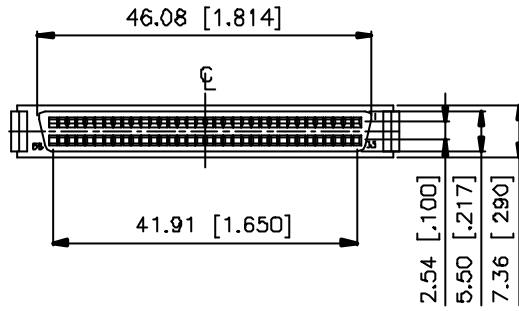
QA01343-65	68 POS.
PROD. NO.	NO. OF POS.



RECOMMENDED P.C.B LAYOUT

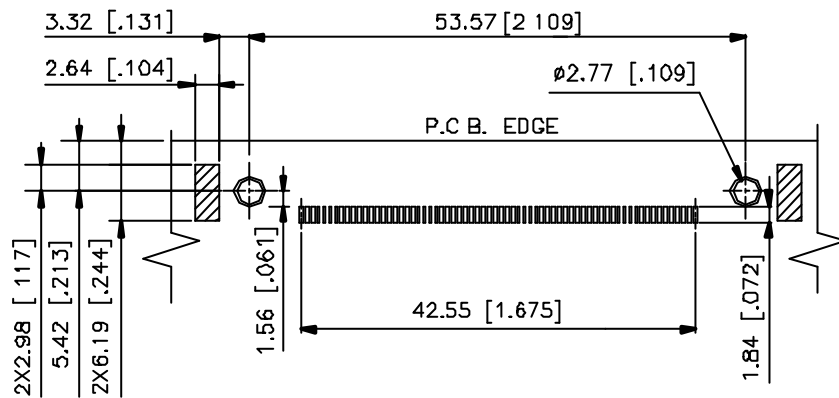
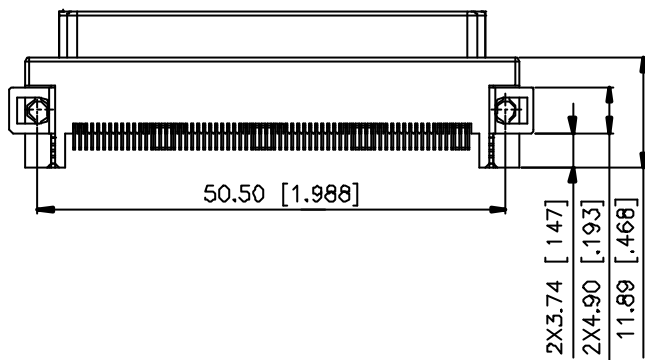
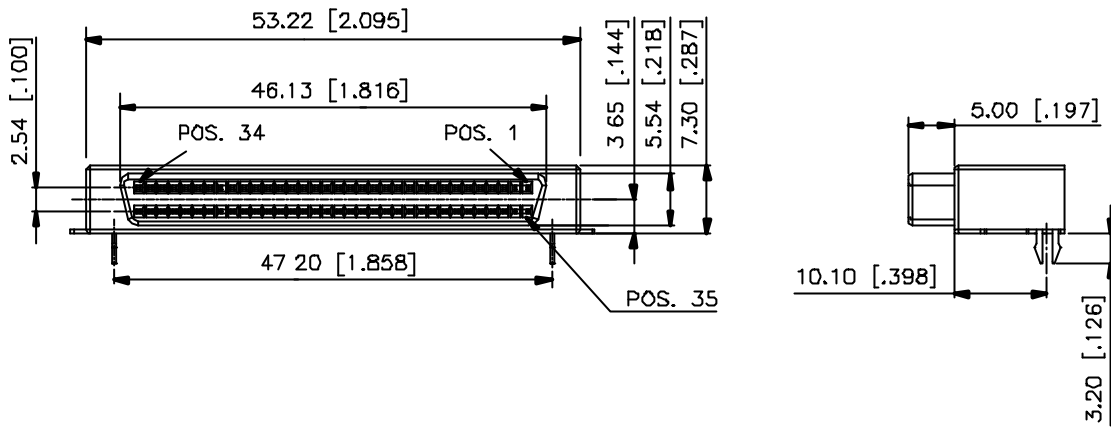
(TOP VIEW)

QA01342-P4	68 POS.
PROD. NO.	NO. OF POS



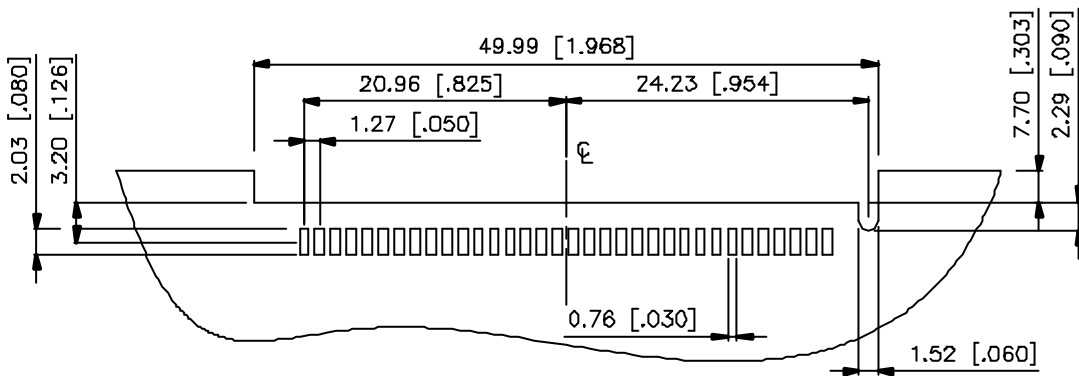
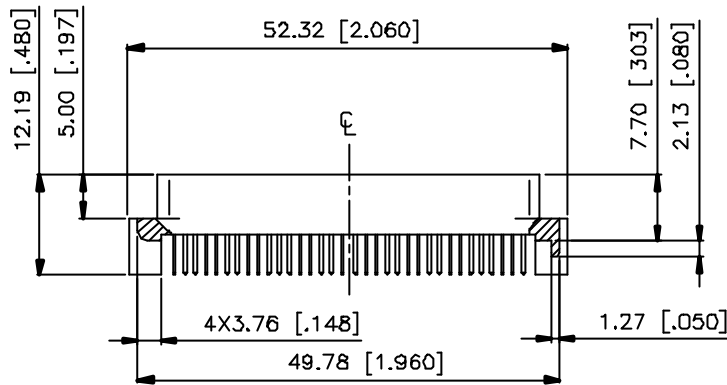
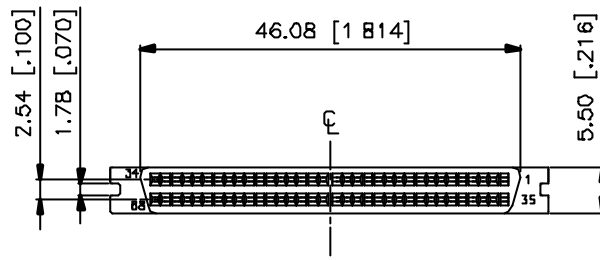
RECOMMENDED P.C.B LAYOUT
(TOP VIEW)

QA01342-P8M	3.65 [.144]	68 POS.
QA01342-P8	3.18 [.125]	
PROD. NO.	L	NO. OF POS.



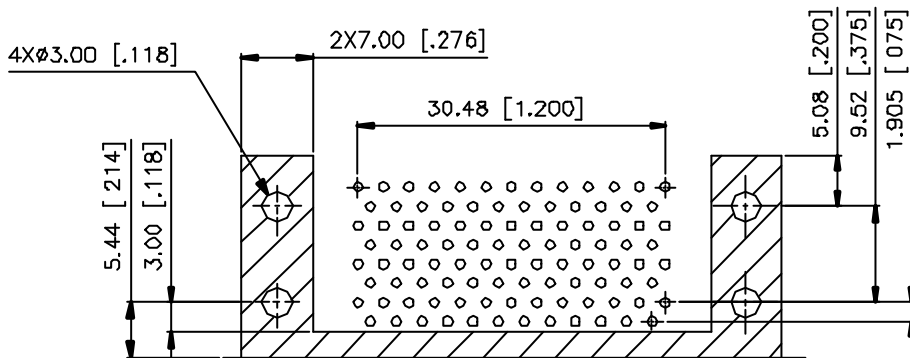
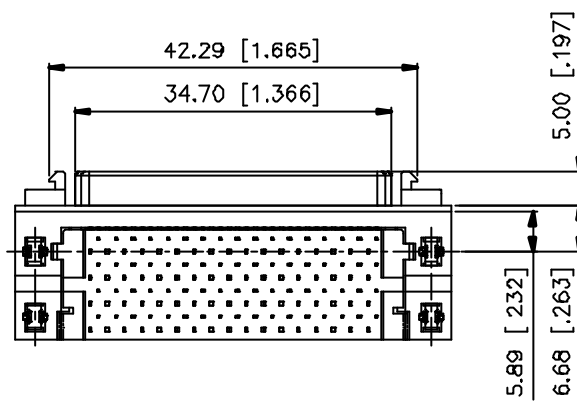
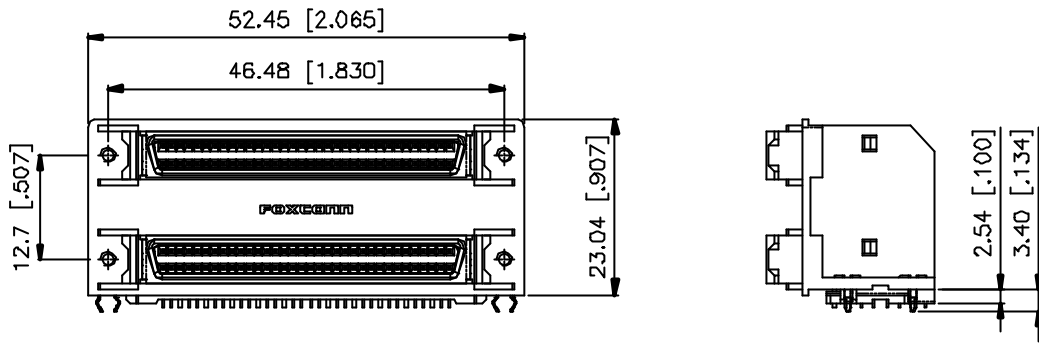
RECOMMENDED P.C.B LAYOUT
(TOP VIEW)

QA51343-P9	68 POS.
PROD. NO.	NO. OF POS.



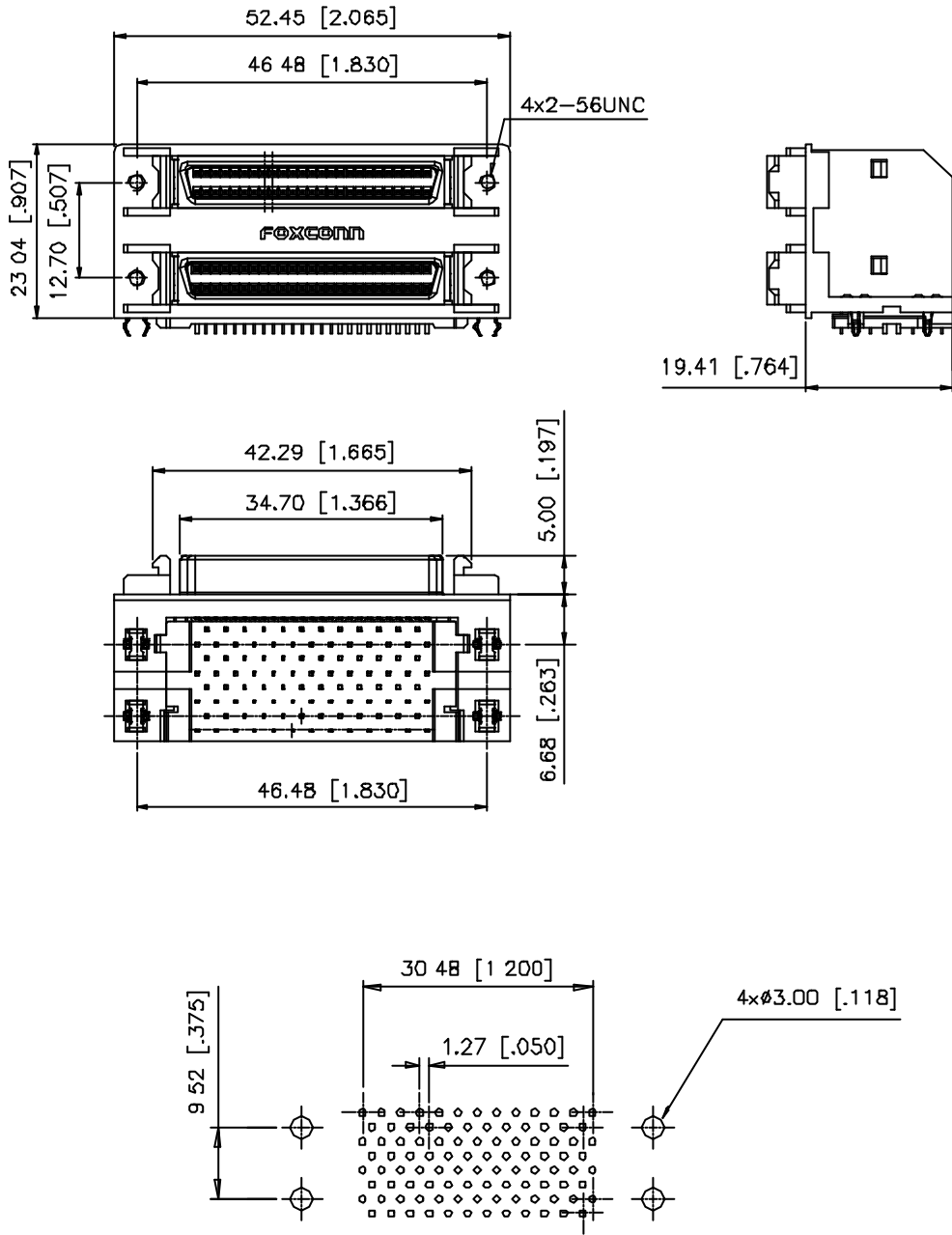
RECOMMENDED P.C.B LAYOUT
(TOP VIEW)

QA61343-P4A	68 POS.
PROD. NO.	NO. OF POS.



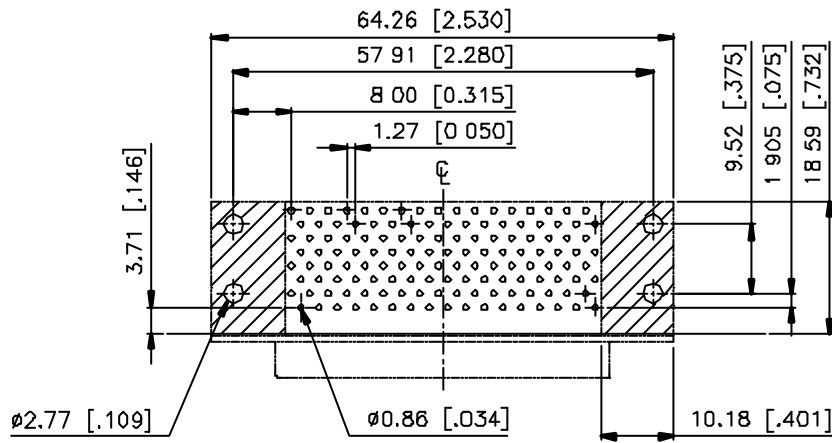
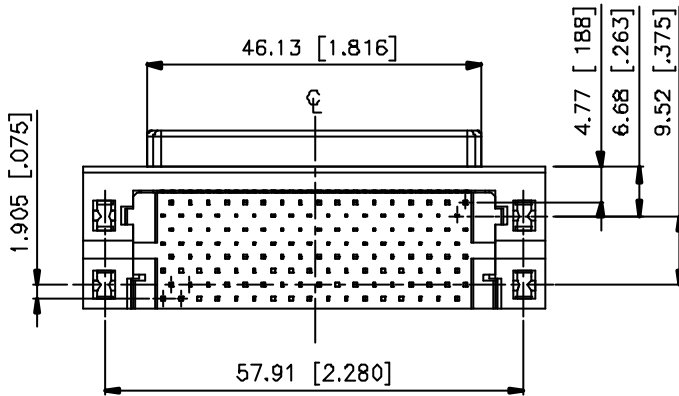
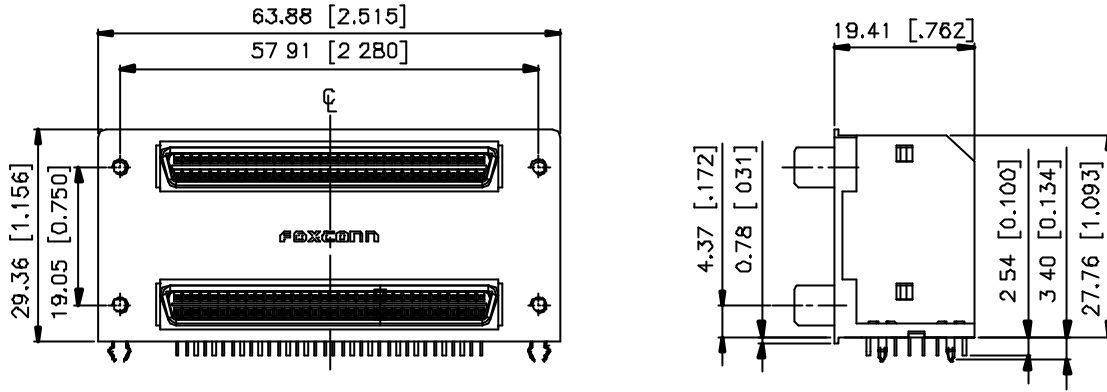
RECOMMENDED P.C.B LAYOUT
(TOP VIEW)

QA11253-D1	50 POS. / 50 POS.
PROD. NO.	NO. OF POS.



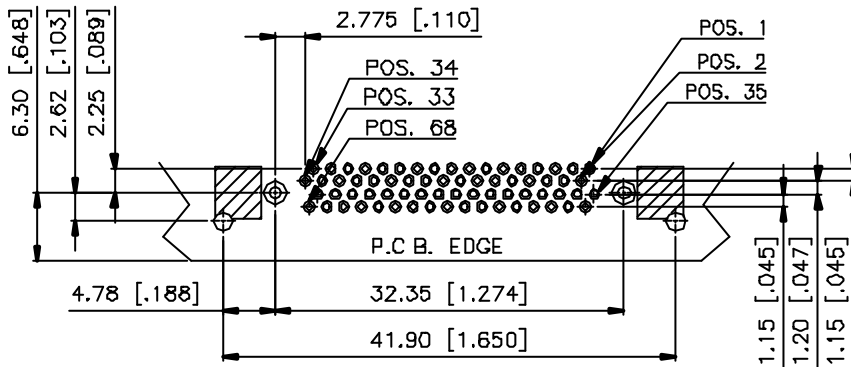
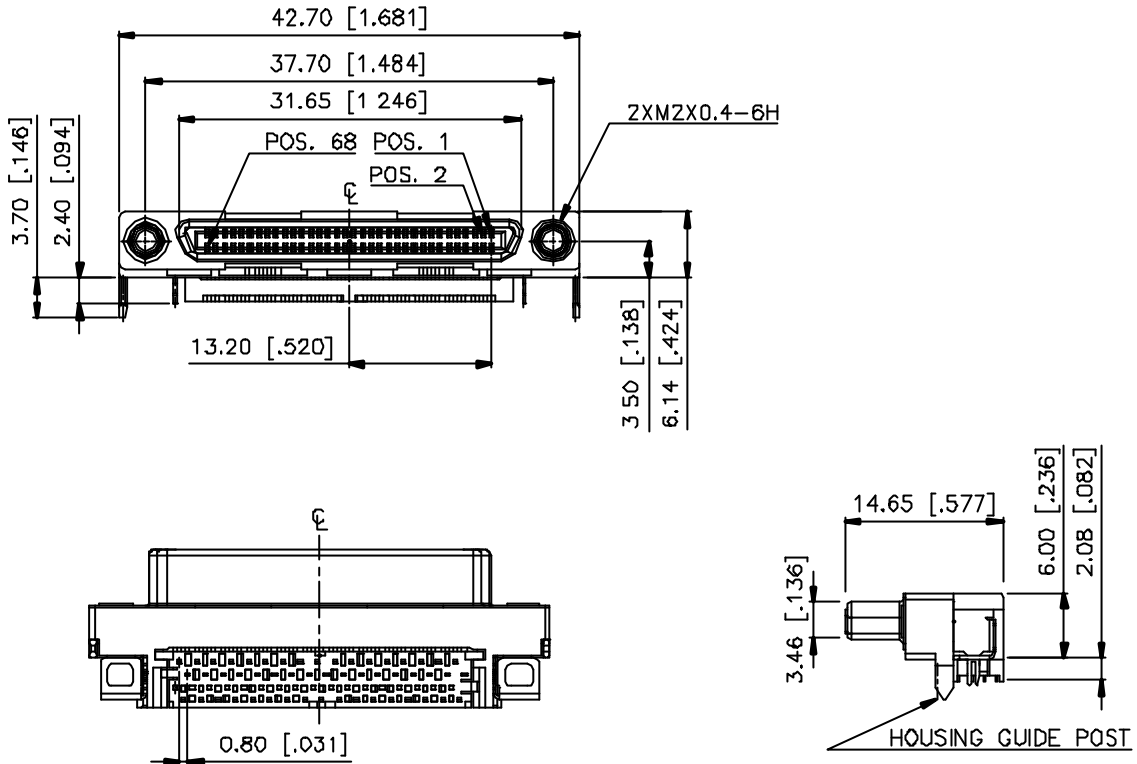
RECOMMENDED P.C.B LAYOUT
(TOP VIEW)

QA11253-D3	50 POS. / 50 POS.
PROD. NO.	NO. OF POS.



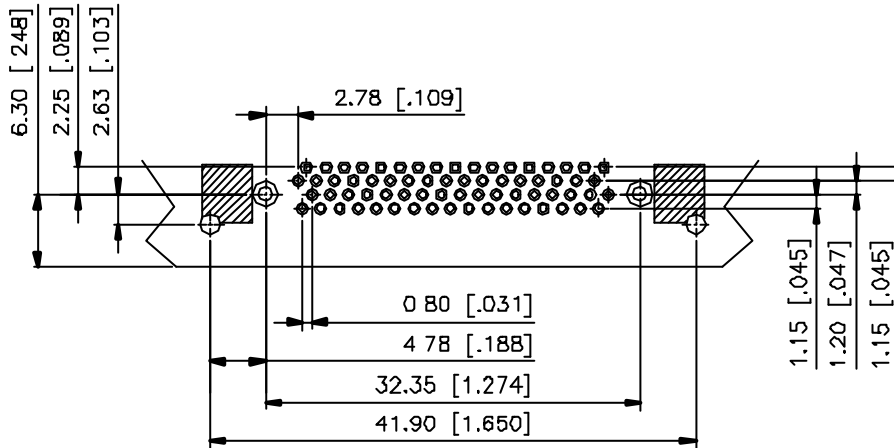
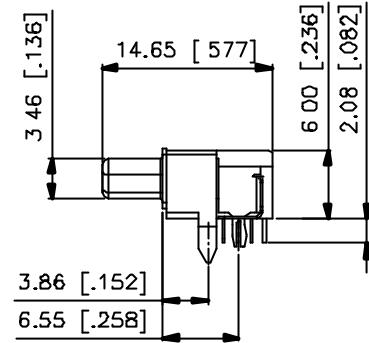
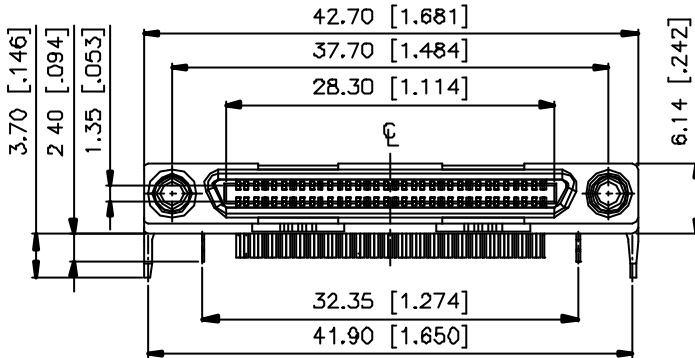
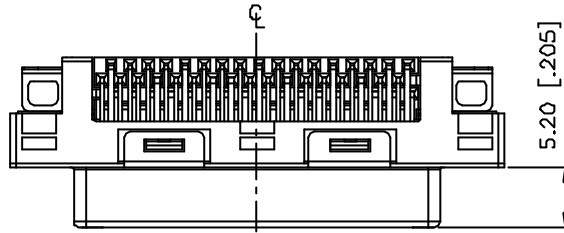
**RECOMMENDED P.C.B LAYOUT
(TOP VIEW)**

PROD. NO.	QA11343-D2
------------------	-------------------



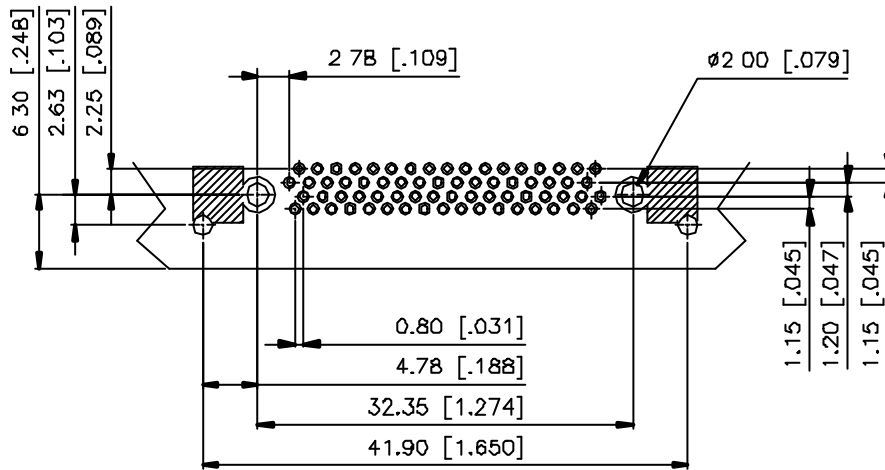
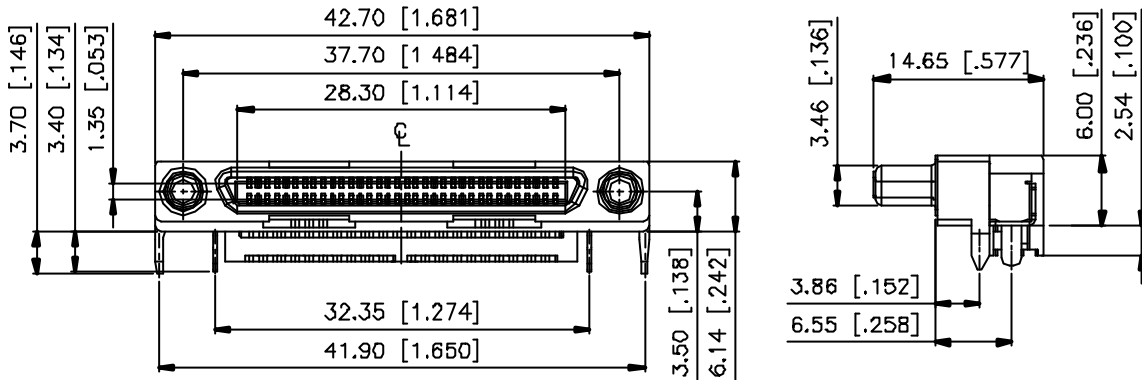
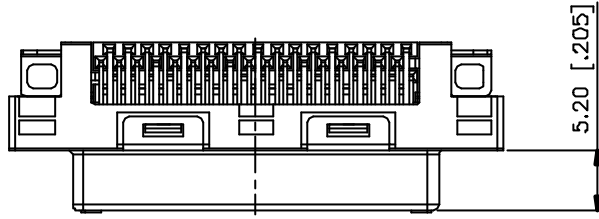
RECOMMENDED P.C.B LAYOUT
(TOP VIEW)

QAU1134C-R0	68 POS.
PROD. NO.	NO. OF POS.



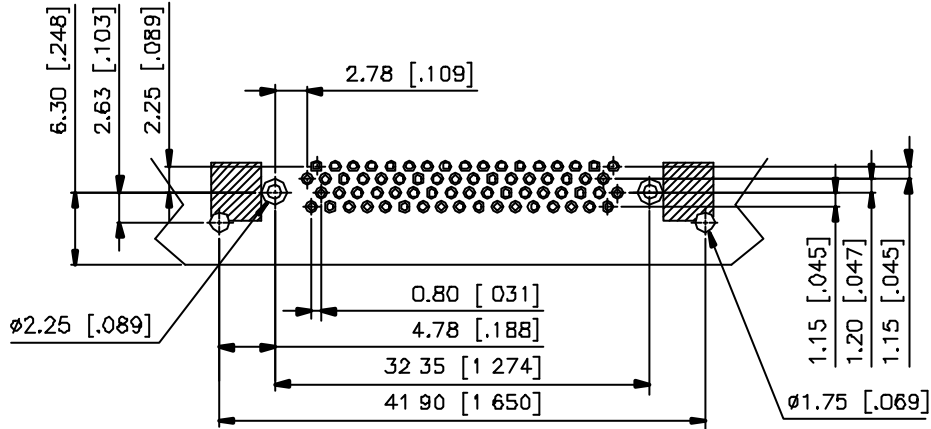
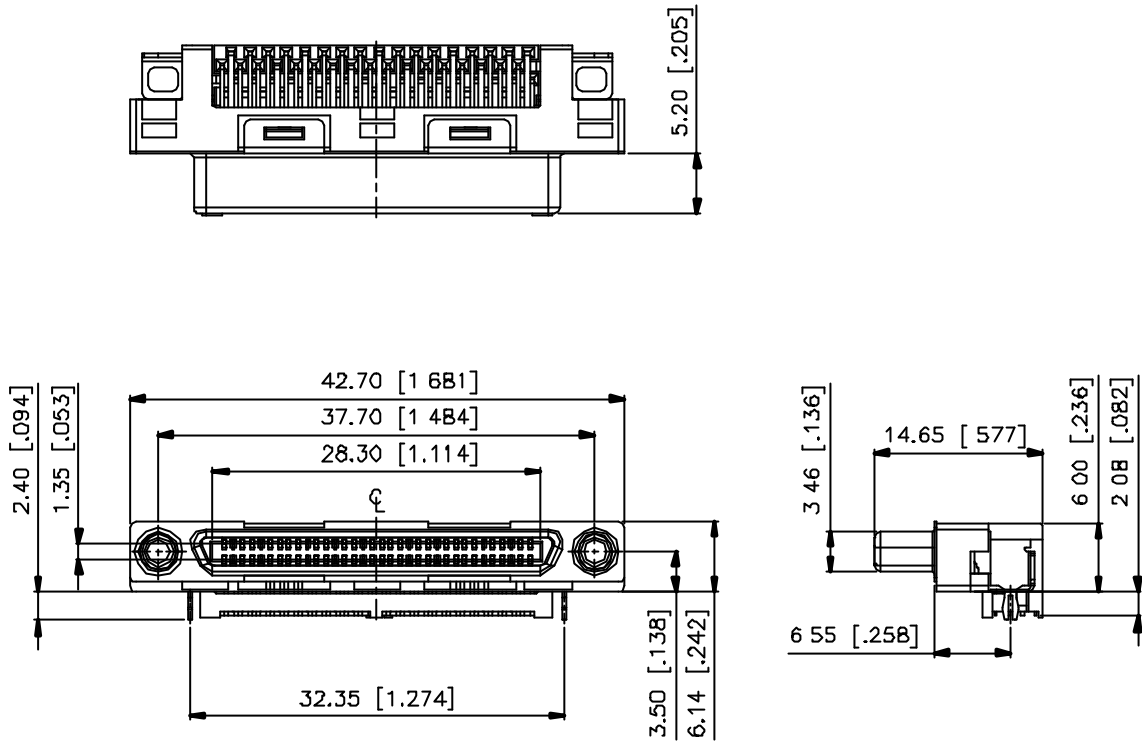
RECOMMENDED P.C.B LAYOUT
(TOP VIEW)

QAU1134C-CR0	68 POS.
PROD. NO.	NO. OF POS.



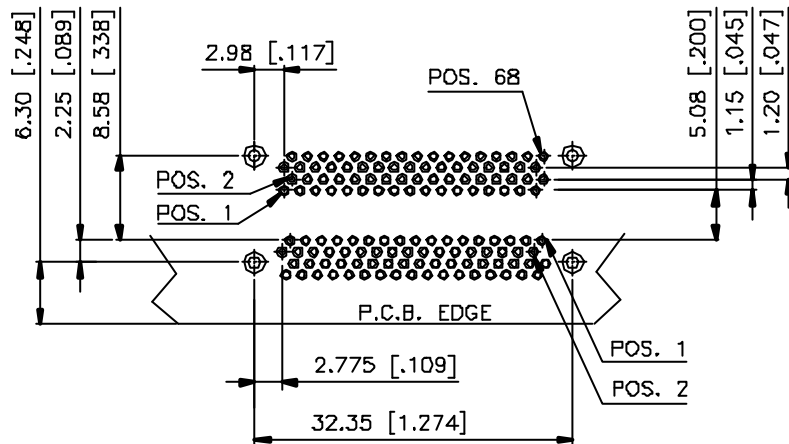
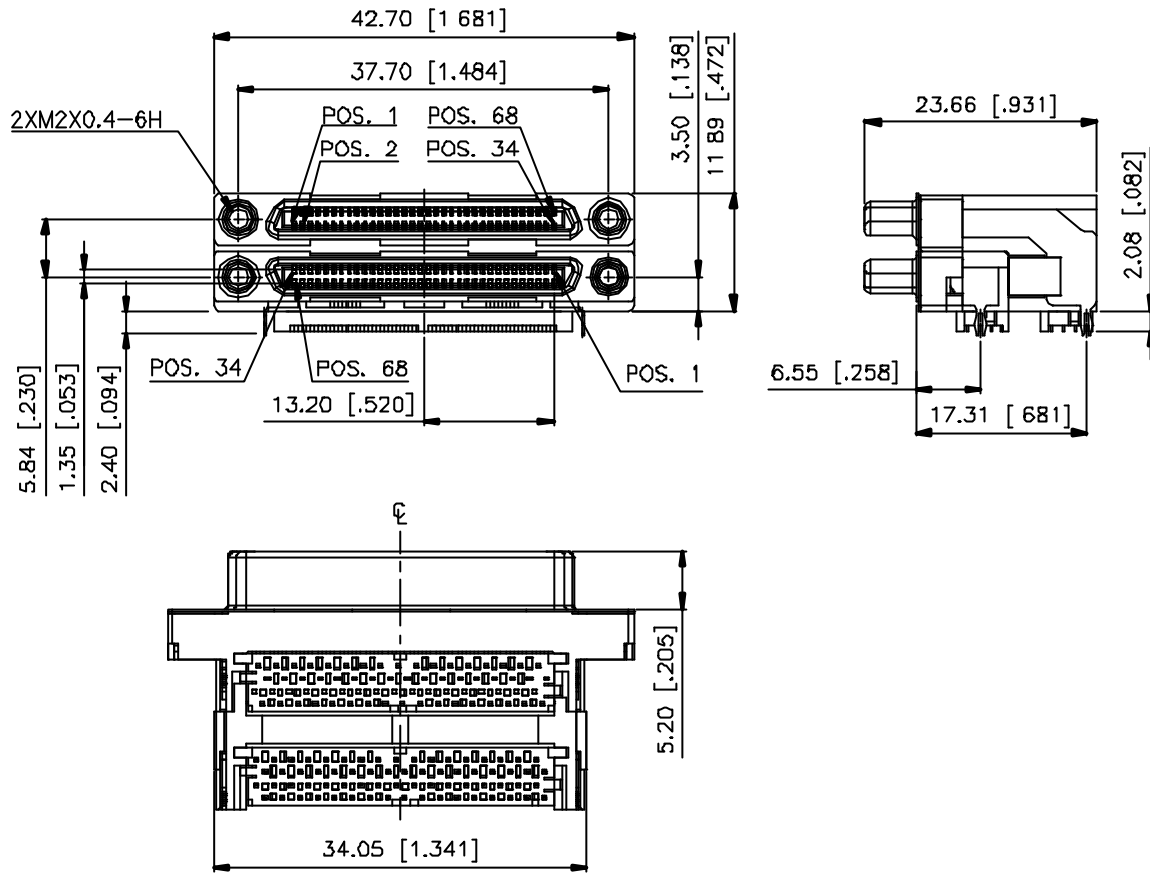
RECOMMENDED P.C.B LAYOUT
(TOP VIEW)

QAU1134C-R2	68 POS.
PROD. NO.	NO OF POS



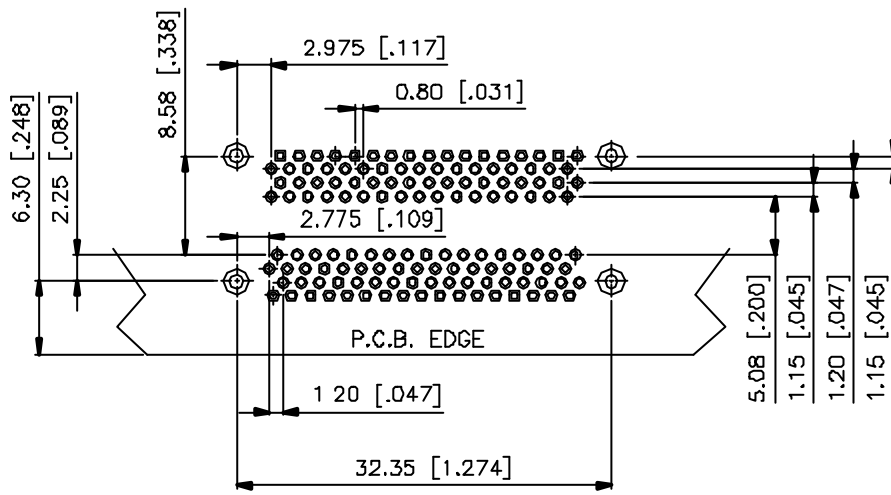
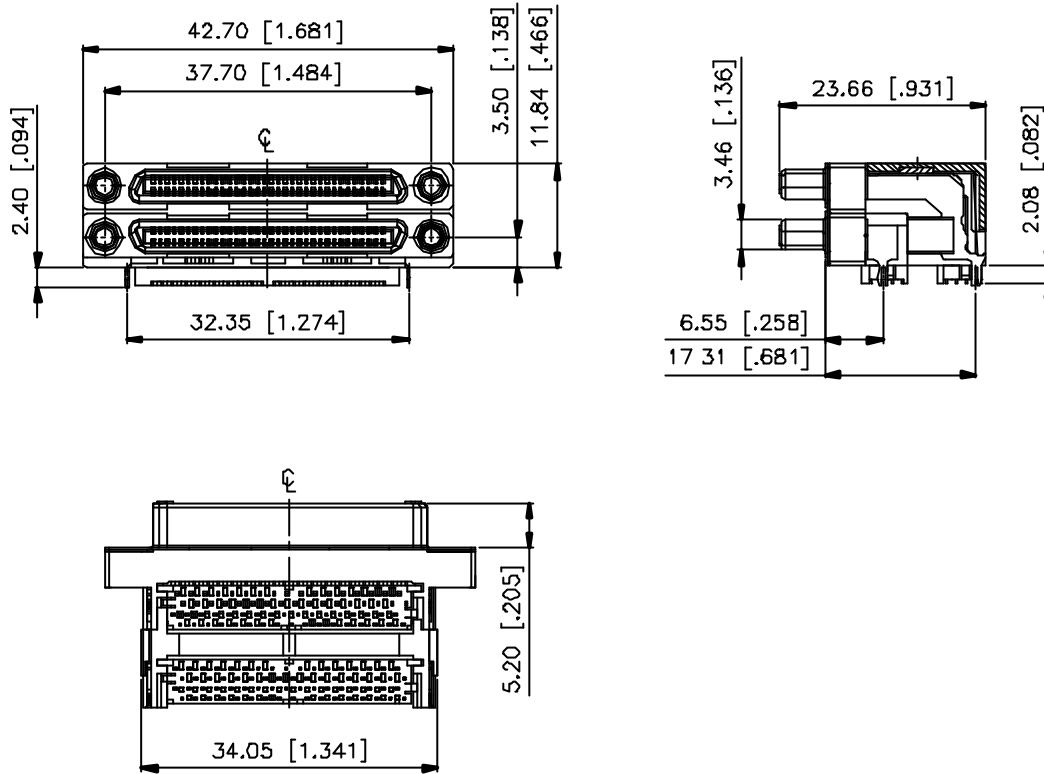
RECOMMENDED P.C.B LAYOUT
(TOP VIEW)

QAU1134C-R3	68 POS.
PROD. NO.	NO. OF POS.



**RECOMMENDED P.C.B LAYOUT
(BOTTOM VIEW)**

PROD. NO.	STACKED CONTACT LAYOUT TYPE	STACKED BOARD LOCK	SHIELDING BLADE
QAU1134C-D1	OFFSET 0.40 mm		✓
QAU1134C-D2	OFFSET 0.40 mm	✓	✓



PROD. NO.	QAU1134C-CD2
------------------	---------------------