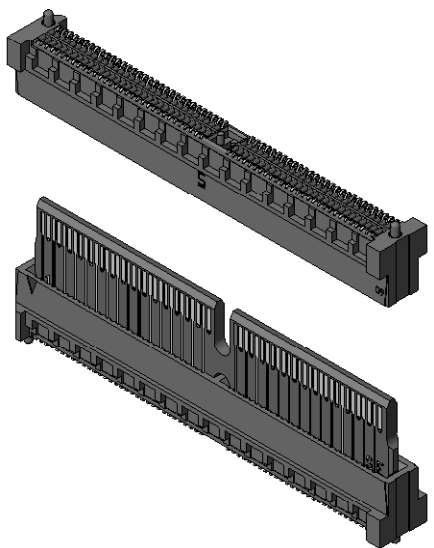


DO NOT SCALE FROM THIS PRINT



RU8-1XX-XX-XX-XX-DV-XX-X-XX

No OF POSITIONS
-40, -50, & -60

STACK HEIGHT
-19, -25, -30
(SEE TABLE 1)

SIGNAL ROUTING
-SE: SINGLE ENDED
-DP: DIFFERENTIAL PAIRS

CONNECTOR PLATING SPECIFICATION
(VALUES GIVEN ARE IN MICRO-INCHES)
-SM: SELECTIVE, 30 AU / 50 NI MIN ON CONTACT, MATTE TIN TAIL
-H: HEAVY GOLD, 30 AU / 50 NI MIN ON CONTACT, 3 AU / 50 NI MIN ON TAIL
-S: SELECTIVE, 30 AU / 50 NI MIN ON CONTACT, MATTE TIN TAIL
-L: LIGHT SELECTIVE, 10 AU / 50 NI MIN ON CONTACT, MATTE TIN TAIL

CONNECTOR PACKAGING
-TR: TAPE & REEL (LEAVE BLANK FOR TRAYS)

OPTION
-K: POLYAMIDE FILM PAD (USE K-DOT-.217-.313-.005)

OPTION
-BL: BOARD LOCK (FIG. 2, SHT. 2) (AVAILABLE ON -25 & -30 STACK HEIGHTS ONLY)

ROW SPECIFICATION
-DV: DUAL VERTICAL

TABLE 1 (BOARD TO BOARD)

STYLE	"A"	
-19	0.75	[19.0]
-25	0.98	[25.0]
-30	1.18	[30.0]

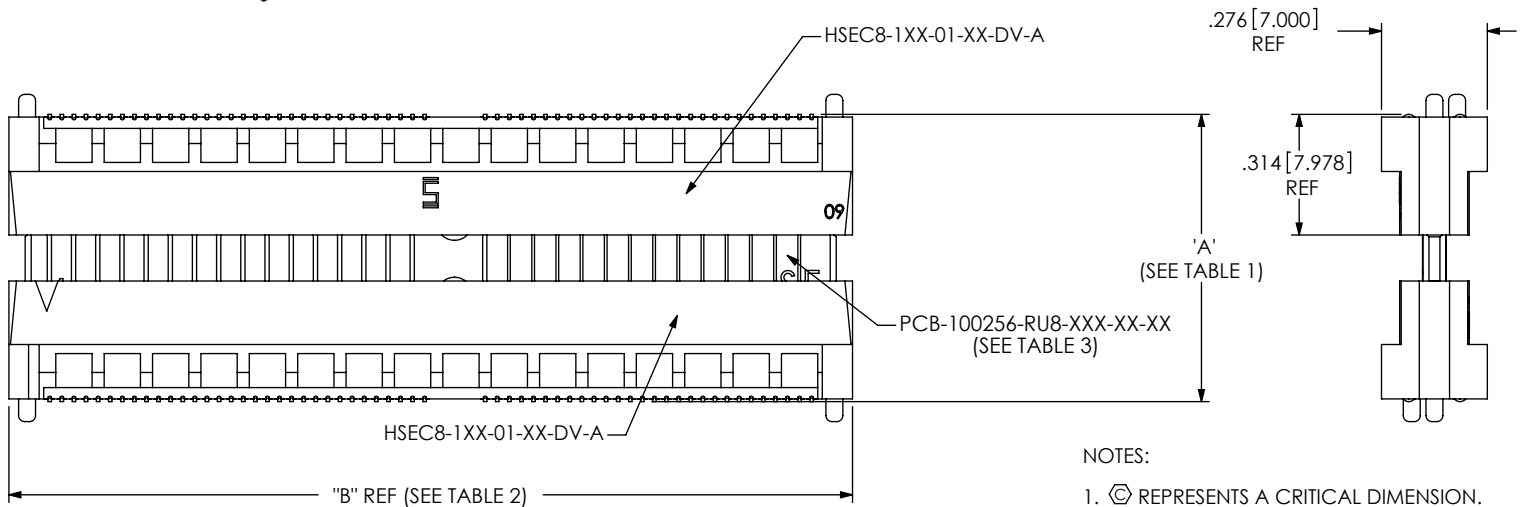


FIG. 1
RU8-160-19-SE-XX-DV SHOWN

- NOTES:**
- ⊕ REPRESENTS A CRITICAL DIMENSION.
 - BOTH HSEC8 CONNECTORS WILL BE SHIPPED WITH THE SAME OPTIONS EXCEPT FOR -BL OPTION.
 - REFERENCE HSEC8 DRAWING FOR ALL OTHER DIMENSIONS AND OPTIONS.
 - HSEC8 ASSEMBLIES WILL BE TRAY PACKAGED AND HSC8 BOARDS WILL BE PACAGED IN BAGS.

TABLE 2

No OF POS	"B"	"C"
-40	1.567 [39.80]	2.010 [51.05]
-50	1.882 [47.80]	2.325 [59.05]
-60	2.197 [55.80]	2.640 [67.05]

<p>UNLESS OTHERWISE SPECIFIED, DIMENSIONS ARE IN INCHES. TOLERANCES ARE:</p> <p>DECIMALS ANGLES .XX: ±.01 [.3] 2° .XXX: ±.005 [.13] .XXXX: ±.0020 [.051]</p>	<p>PROPRIETARY NOTE THIS DOCUMENT CONTAINS INFORMATION CONFIDENTIAL AND PROPRIETARY TO SAMTEC, INC. AND SHALL NOT BE REPRODUCED OR TRANSFERRED TO OTHER DOCUMENTS OR DISCLOSED TO OTHERS OR USED FOR ANY PURPOSE OTHER THAN THAT WHICH IT WAS OBTAINED WITHOUT THE EXPRESSED WRITTEN CONSENT OF SAMTEC, INC.</p>	<p>samtec 520 PARK EAST BLVD, NEW ALBANY, IN 47150 PHONE: 812-944-6733 FAX: 812-948-5047 e-Mail: info@SAMTEC.com code 55322</p>	
		<p>MATERIAL: DO NOT SCALE DRAWING SHEET SCALE: 1:1</p> <p>INSULATOR: LCP, UL 94 VO, COLOR: BLACK CONTACT: BRUSH ALLOY, 390 HT LATCH ARM: LCP</p> <p>F:\DWG\MISC\MKTG\RU8-1XX-XX-XX-XX-DV-XX-X-XX-MKT.SLDDRW</p>	<p>DESCRIPTION: .8mm BOARD TO BOARD KIT</p> <p>DWG. NO. RU8-1XX-XX-XX-XX-DV-XX-X-XX</p> <p>BY: ELS 8/17/04 SHEET 1 OF 2</p>

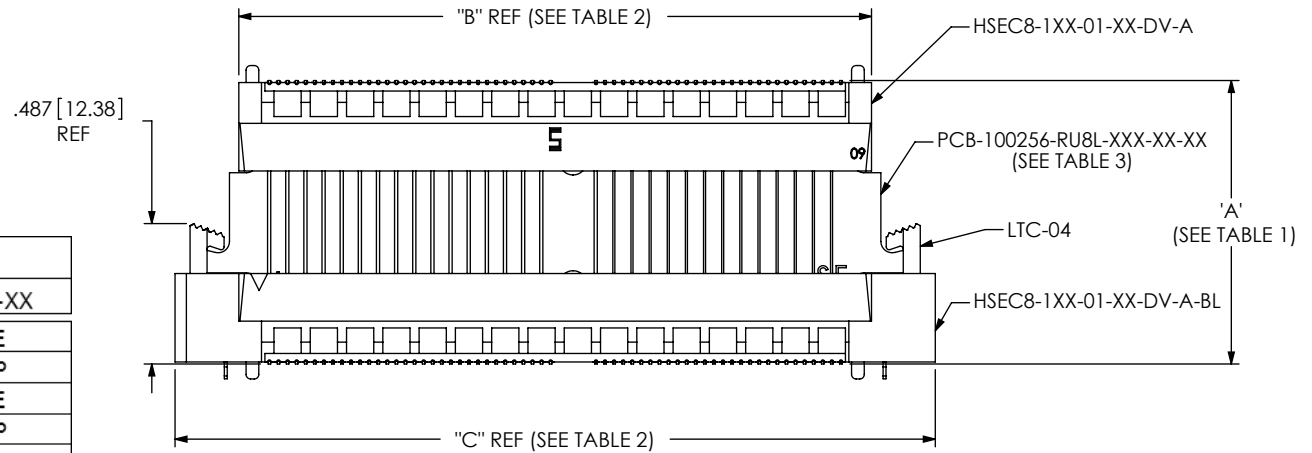
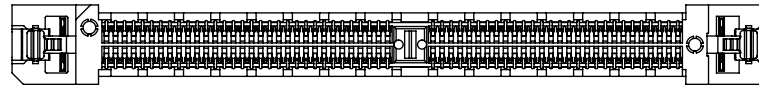


TABLE 3	
PART NUMBER	PCB-100256-RU8X-XXX-XX-XX
RU8-140-19-SE-XX-DV-XX	PCB-100256-RU8-040-19-SE
RU8-140-19-DP-XX-DV-XX	PCB-100256-RU8-040-19-DP
RU8-140-25-SE-XX-DV-XX	PCB-100256-RU8-040-25-SE
RU8-140-25-DP-XX-DV-XX	PCB-100256-RU8-040-25-DP
RU8-140-25-SE-XX-DV-BL-XX	PCB-100256-RU8L-040-25-SE
RU8-140-25-DP-XX-DV-BL-XX	PCB-100256-RU8L-040-25-DP
RU8-140-30-SE-XX-DV-XX	PCB-100256-RU8-040-30-SE
RU8-140-30-DP-XX-DV-XX	PCB-100256-RU8-040-30-DP
RU8-140-30-SE-XX-DV-BL-XX	PCB-100256-RU8L-040-30-SE
RU8-140-30-DP-XX-DV-BL-XX	PCB-100256-RU8L-040-30-DP
RU8-150-19-SE-XX-DV-XX	PCB-100256-RU8-050-19-SE
RU8-150-19-DP-XX-DV-XX	PCB-100256-RU8-050-19-DP
RU8-150-25-SE-XX-DV-XX	PCB-100256-RU8-050-25-SE
RU8-150-25-DP-XX-DV-XX	PCB-100256-RU8-050-25-DP
RU8-150-25-SE-XX-DV-BL-XX	PCB-100256-RU8L-050-25-SE
RU8-150-25-DP-XX-DV-BL-XX	PCB-100256-RU8L-050-25-DP
RU8-150-30-SE-XX-DV-XX	PCB-100256-RU8-050-30-SE
RU8-150-30-DP-XX-DV-XX	PCB-100256-RU8-050-30-DP
RU8-150-30-SE-XX-DV-BL-XX	PCB-100256-RU8L-050-30-SE
RU8-150-30-DP-XX-DV-BL-XX	PCB-100256-RU8L-050-30-DP
RU8-160-19-SE-XX-DV-XX	PCB-100256-RU8-060-19-SE
RU8-160-19-DP-XX-DV-XX	PCB-100256-RU8-060-19-DP
RU8-160-25-SE-XX-DV-XX	PCB-100256-RU8-060-25-SE
RU8-160-25-DP-XX-DV-XX	PCB-100256-RU8-060-25-DP
RU8-160-25-SE-XX-DV-BL-XX	PCB-100256-RU8L-060-25-SE
RU8-160-25-DP-XX-DV-BL-XX	PCB-100256-RU8L-060-25-DP
RU8-160-30-SE-XX-DV-XX	PCB-100256-RU8-060-30-SE
RU8-160-30-DP-XX-DV-XX	PCB-100256-RU8-060-30-DP
RU8-160-30-SE-XX-DV-BL-XX	PCB-100256-RU8L-060-30-SE
RU8-160-30-DP-XX-DV-BL-XX	PCB-100256-RU8L-060-30-DP

FIG. 2
 RU8-160-25-SE-XX-DV-BL SHOWN
 (AVAILABLE IN -25 & -30 STACKER HEIGHTS ONLY)

PROPRIETARY NOTE
 THIS DOCUMENT CONTAINS INFORMATION CONFIDENTIAL AND PROPRIETARY TO SAMTEC, INC. AND SHALL NOT BE REPRODUCED OR TRANSFERRED TO OTHER DOCUMENTS OR DISCLOSED TO OTHERS OR USED FOR ANY PURPOSE OTHER THAN THAT WHICH IT WAS OBTAINED WITHOUT THE EXPRESSED WRITTEN CONSENT OF SAMTEC, INC.

DO NOT SCALE DRAWING

SHEET SCALE: 2:1



520 PARK EAST BLVD, NEW ALBANY, IN 47150
 PHONE: 812-944-6733 FAX: 812-948-5047
 e-Mail: info@SAMTEC.com code 55322

DESCRIPTION:	.8mm BOARD TO BOARD KIT	
DWG. NO.	RU8-1XX-XX-XX-XX-DV-XX-X-XX	
BY: ELS	8/17/04	SHEET 2 OF 2