



SCP1-10-04-T-03.00-T-S

SCP1 SERIES

IP68 SEALED POWER PLUG

SPECIFICATIONS

For complete specifications see www.samtec.com?SCP1

Insulator Material: PBT



Terminal Material: Brass Alloy

Contact Material: Phosphor Bronze

Wire: 22 AWG

Sealed Overmold: PA66

RoHS Compliant: Yes

Yes

CURRENT RATING	
AMBIENT TEMP	SCP1-10/SCR1-10
20°C	9.2A
40°C	8.0A
60°C	6.6A
75°C	5.6A

4 POSITIONS POWERED

Mates with: SCR1

Meets IP68 requirements for dust and waterproof sealing



4 or 16 positions

Reverse Gender option

APPLICATION SPECIFIC

Single ended and custom wire lengths available. Call Samtec.

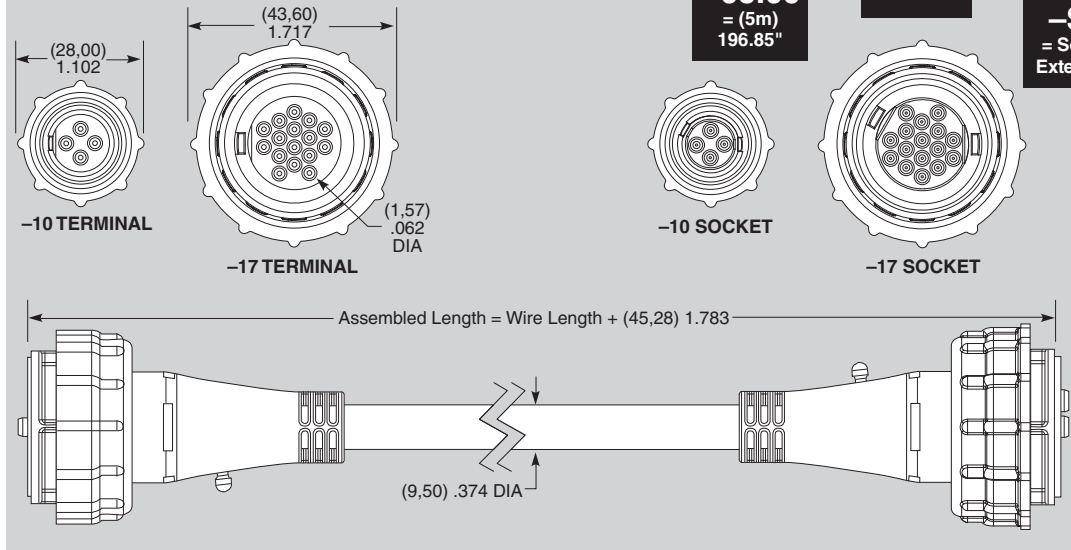
ALSO AVAILABLE

Other applications:
Ethernet: See SCPE Series
USB: See SCPU Series
High Density: See SCP2 Series
Tiger Eye™: See SCP3 Series

ALSO AVAILABLE

DUST CAPS	
SIZE	SCPX
-10	DCA-10-02
-17	DCA-17-02

SCP1	SIZE	NO. OF POSITIONS	PLATING	WIRE LENGTH	END 1 OPTION	END 2 OPTION
	-10, -17	-04 = 04 Positions (Size -10 only) -16 = 16 Positions (Size -17 only)	-T = Tin	-02.00 = (2m) 78.74" -03.00 = (3m) 118.11" -05.00 = (5m) 196.85"	-S = Socket (Not available with End 2 option -T) -T = Terminal	-S = Socket -T = Terminal -BC = Blunt Cut -SE = Socket Extension



Note: Some lengths, styles and options are non-standard, non-returnable.

Due to technical progress, all designs, specifications and components are subject to change without notice.

WWW.SAMTEC.COM