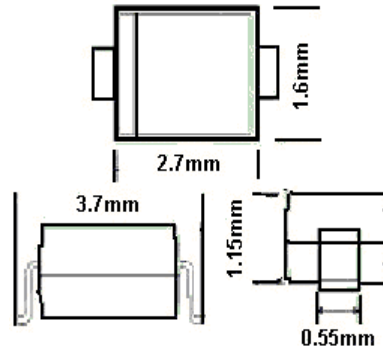
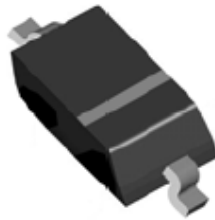


**Description**

**Mechanical Dimensions**

**BZT52C2V4~C39**



**SOD-123**

**Dimensions in mm**

**Features:**

- \* **Planar Die Construction**
- \* **500mW Power Dissipation on Ceramic PCB**
- \* **General Purpose Medium Current**
- \* **Ideally Suited for Automated Assembly Process**

Characteristic	Symbol	Value	Unit
Forward Voltage @ $I_f=10\text{mA}$	<b>VF</b>	<b>0.9</b>	<b>V</b>
Power Dissipation	<b>Pd</b>	<b>500</b>	<b>mW</b>
Thermal Resistance, Junction to Ambient air	<b>Rthja</b>	<b>305</b>	<b>C/W</b>
Operating and Storage Temperature Range	<b>Tj/Tstg</b>	<b>-65 ~ +150</b>	<b>C</b>



Electrical Characteristics Ta=25C unless otherwise specified

500 mW  FCI Part #	Nominal Zener Voltage @ Izt Vz (V)	Test Current Izt (mA)	Maximum Zener ImpedanceVzt @ Izt;Vzk@ Izk=1.0mA Vzt / Vzk(ohm)	Maximum Reverse Current Ir(uA) @ Vr(V)	Forward Voltage VF (V) IF (mA)	Marking	Package
BZT52C2V4	2.4	5	85/600	100/1.0	0.9 / 10	WX	SOD-123
BZT52C2V7	2.7	5	83/600	75/1.0	0.9 / 10	W1	
BZT52C3V0	3.0	5	95/500	50/1.0	0.9 / 10	W2	
BZT52C3V3	3.3	5	95/500	25/1.0	0.9 / 10	W3	
BZT52C3V6	3.6	5	95/500	15/1.0	0.9 / 10	W4	
BZT52C3V9	3.9	5	95/500	10/1.0	0.9 / 10	W5	
BZT52C4V3	4.3	5	95/500	5/1.0	0.9 / 10	W6	
BZT52C4V7	4.7	5	78/500	5/1.0	0.9 / 10	W7	
BZT52C5V1	5.1	5	60/480	0.1/0.8	0.9 / 10	W8	
BZT52C5V6	5.6	5	40/400	0.1/1.0	0.9 / 10	W9	
BZT52C6V2	6.2	5	10/200	0.1/2.0	0.9 / 10	WA	
BZT52C6V8	6.8	5	8/150	0.1/3.0	0.9 / 10	WB	
BZT52C7V5	7.5	5	7/50	0.1/5.0	0.9 / 10	WC	
BZT52C8V2	8.2	5	7/50	0.1/6.0	0.9 / 10	WD	
BZT52C9V1	9.1	5	10/50	0.1/7.0	0.9 / 10	WE	
BZT52C10	10	5	15/70	0.1/7.5	0.9 / 10	WF	
BZT52C11	11	5	20/70	0.1/8.5	0.9 / 10	WG	
BZT52C12	12	5	20/90	0.1/9.0	0.9 / 10	WH	
BZT52C13	13	5	25/110	0.1/10	0.9 / 10	WI	
BZT52C15	15	5	30/110	0.1/11	0.9 / 10	WJ	
BZT52C16	16	5	40/170	0.1/12	0.9 / 10	WK	
BZT52C18	18	5	50/170	0.1/14	0.9 / 10	WL	
BZT52C20	20	5	50/220	0.1/15	0.9 / 10	WM	
BZT52C22	22	5	55/220	0.1/17	0.9 / 10	WN	
BZT52C24	24	5	80/220	0.1/18	0.9 / 10	WO	
BZT52C27	27	5	80/250	0.1/20	0.9 / 10	WP	
BZT52C30	30	5	80/250	0.1/22.5	0.9 / 10	WQ	
BZT52C33	33	5	80/250	0.1/25	0.9 / 10	WR	
BZT52C36	36	5	90/250	0.1/27	0.9 / 10	WS	
BZT52C39	39	5	90/300	0.1/29	0.9 / 10	WT	