

## SURFACE MOUNT CRYSTAL UNIT

SPECIFICATIONS	XK-3
Frequency Range	3.2 to 70 MHz
Frequency Tolerance @25°C	±50ppm
Temperature Stability	±50ppm
Operating Temperature Range	-10°C to +60°C
Shunt Capacitance	7pf Maximum
Equivalent Series Resistance	See Table 1
Load Capacitance	See Table 1
Drive Level	0.1mW Typical
Shock Resistance "NOTE 1 (max.)	±5ppm
Vibration Resistance "NOTE 2 (max.)	±5ppm
Insulation Resistance	500Mohm min. at DC100±15V

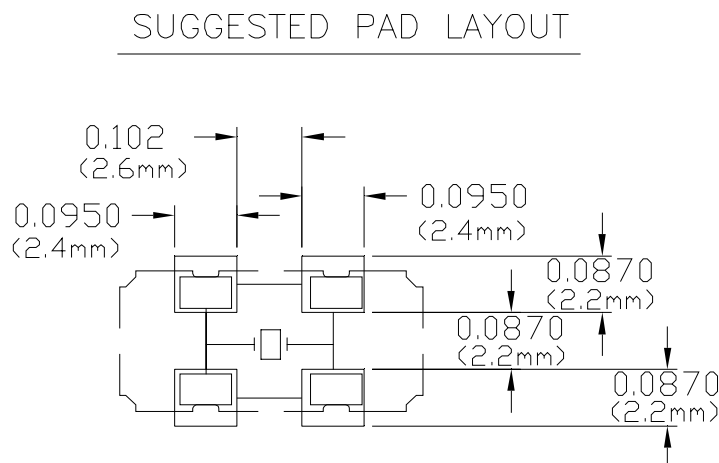
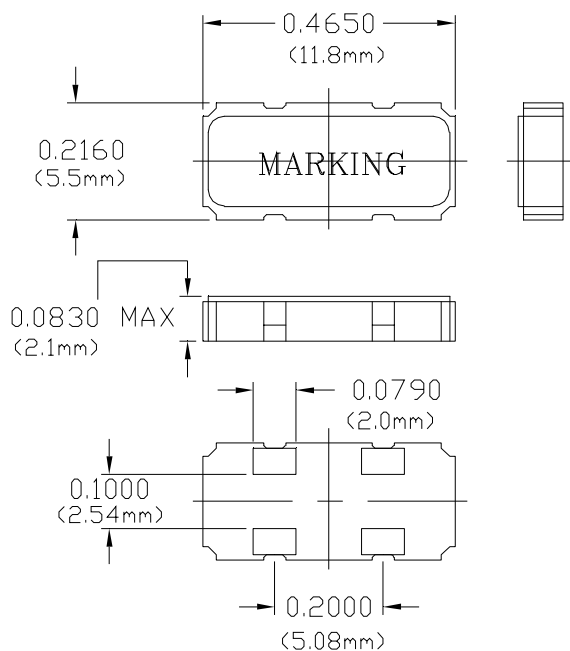
"NOTE 1 (Shock Test Standard): 3 times from 75cm height onto a hard wooden board.

"NOTE 2 (Vibration Test Standard): 10 to 500Hz, Amplitude: 1.5mm or 10G whichever is smaller.

"NOTE 3 RoHS Compliant / Lead Free.

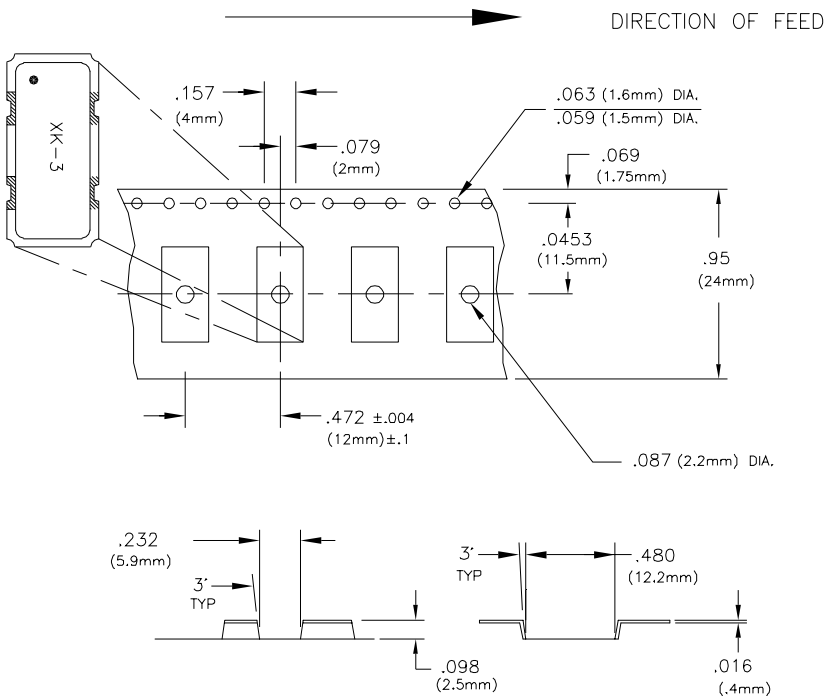
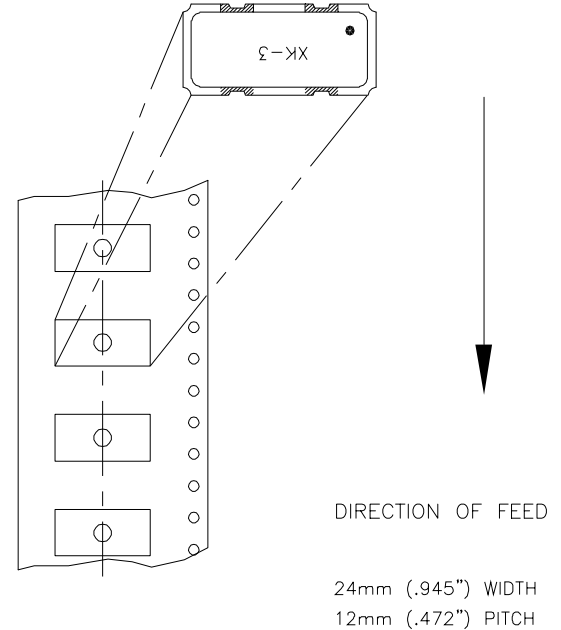
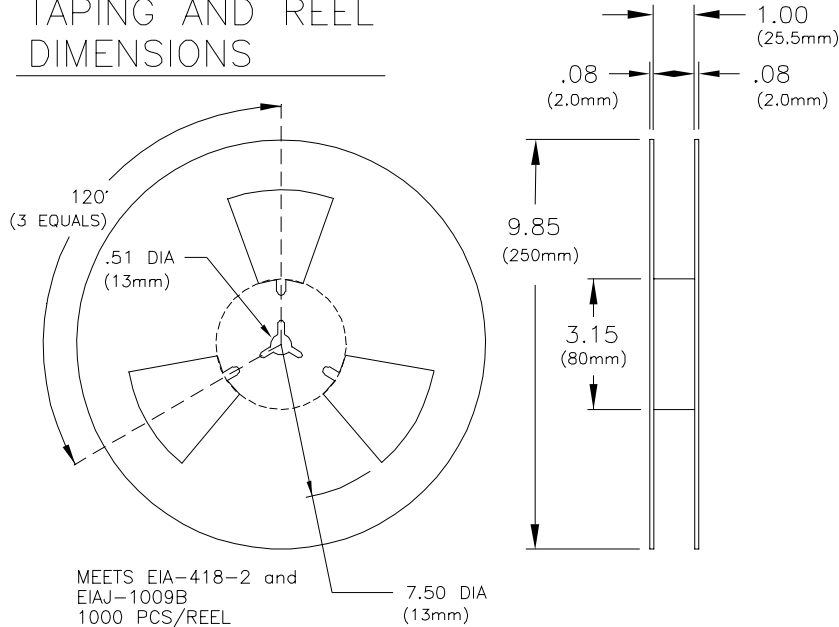
**TABLE 1**

Frequency Range	Mode of Osc.	Load Cap.	E.S.R. (max.)	Frequency Range	Mode of Osc.	Load Cap.	E.S.R. (max.)
3.2MHz to 3.499MHz	Fund.	16pF	200 Ohms	7.0MHz to 7.999MHz	Fund.	16pF	50 Ohms
3.5MHz to 3.999MHz	Fund.	16pF	140 Ohms	8.0MHz to 10.999MHz	Fund.	16pF	45 Ohms
4.0MHz to 4.399MHz	Fund.	16pF	120 Ohms	11.0MHz to 11.999MHz	Fund.	16pF	40 Ohms
4.4MHz to 4.899MHz	Fund.	16pF	100 Ohms	12.0MHz to 14.999MHz	Fund.	16pF	35 Ohms
4.9MHz to 5.999MHz	Fund.	16pF	80 Ohms	15.0MHz to 50.000MHz	Fund.	16pF	30 Ohms
6.0MHz to 6.999MHz	Fund.	16pF	60 Ohms	27.0MHz to 70.000MHz	3rd O/T Series		100 Ohms



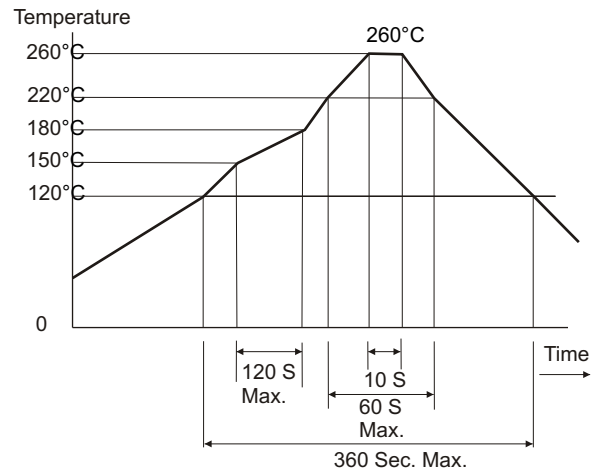
# SURFACE MOUNT CRYSTAL UNIT

## TAPING AND REEL DIMENSIONS



## SOLDERING CONDITIONS

<<Typical Example of Reflow Conditions>>  
 260°C max. x 10 sec. max. x 2 times max.



## STANDARD POCKET POSITION

(All dimensions are in inches & mm)