
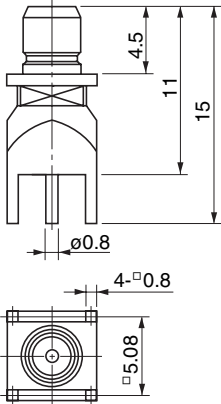

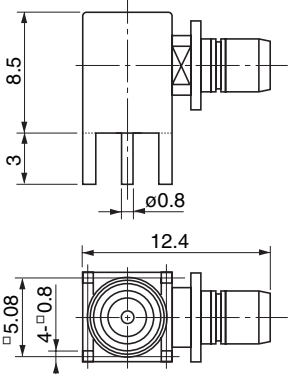

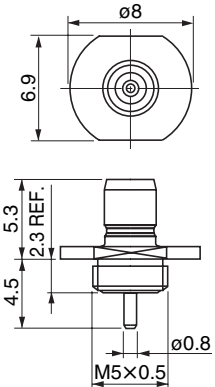


FG-Y Series of Receptacles

		<p>Straight receptacle with stop for PCBs</p> <table border="1" data-bbox="1052 400 1182 472"> <tr> <td>Part No.</td> </tr> <tr> <td>FG-Y108A</td> </tr> </table>	Part No.	FG-Y108A
Part No.				
FG-Y108A				
		<p>Right-angle receptacle with stop for PCBs</p> <table border="1" data-bbox="1052 825 1182 898"> <tr> <td>Part No.</td> </tr> <tr> <td>FG-Y101A</td> </tr> </table>	Part No.	FG-Y101A
Part No.				
FG-Y101A				
		<p>Bulkhead receptacle</p> <table border="1" data-bbox="1052 1223 1182 1295"> <tr> <td>Part No.</td> </tr> <tr> <td>FG-Y19A</td> </tr> </table>	Part No.	FG-Y19A
Part No.				
FG-Y19A				