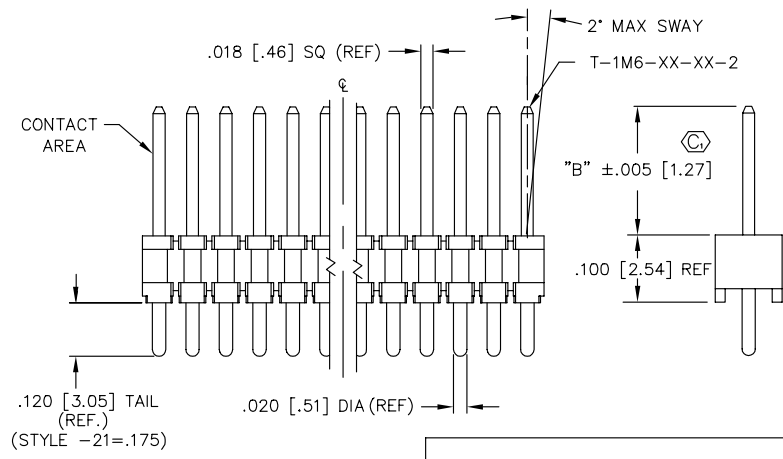
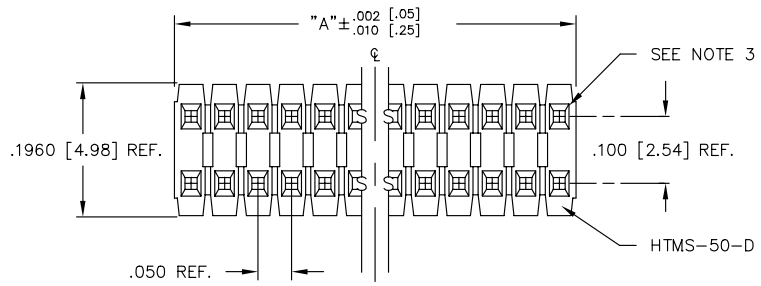
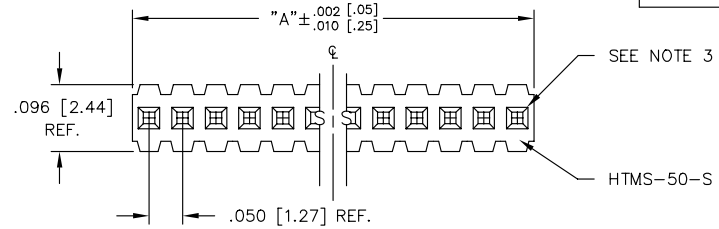


REVISION AF

DIMENSIONS ARE IN INCHES UNLESS OTHERWISE NOTED TOLERANCES ARE:
 ONE PLACE DECIMALS ± .1 [2.5] THREE PLACE DECIMALS ± .005 [.13]
 TWO PLACE DECIMALS ± .01 [.25] FOUR PLACE DECIMALS ± .0020 [.051]
 ANGLES ± 2°

TITLE: HI-TEMP TERMINAL MICRO-STRIP
 DWG NO: HTMS-1XX-XX-XX-X-XXX
 SHEET 1 OF 1



HTMS-1XX-XX-XX-X-XXX
 BODY LENGTH SPEC EXPRESSED IN # POS PER ROW (-01 THRU -50)
 "A" = 'XX' x .050 [1.27]
 TERMINAL SPEC SEE TABLE 1
 PLATING SPECIFICATION
 -G: GOLD, SPECIFY -G
 -T: TIN, SPECIFY -T
 ONLY AVAILABLE ON LEAD STYLES -01, -02, -51 AND -52.
 -S: SELECTIVE, SPECIFY -S
 -F: FLASH GOLD, SPECIFY -F
 -H: HEAVY GOLD, SPECIFY -H
 -TM: MATTE TIN, SPECIFY -T
 -SM: SELECTIVE, MATTE TIN TAIL, SPECIFY -S
 -FM: FLASH GOLD, MATTE TIN TAIL, SPECIFY -F

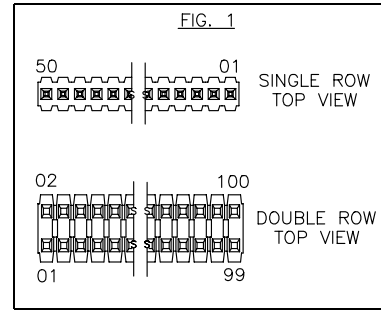


TABLE 2

LENGTH	"L"	LENGTH	"L"
-01	.440 [11.18]	-16	.825 [20.96]
-02	.410 [10.41]	-17	.320 [8.13]
-03	.610 [15.49]	-18	.450 [11.43]
-04	.505 [12.83]	-19	.650 [16.51]
-05	.705 [17.91]	-21	.505 [12.83]
-12	.425 [10.80]	-25	.330 [8.38]
-13	.625 [15.88]	-26	.373 [9.47]
-14	.555 [14.10]	-27	.398 [10.12]
-15	.755 [19.18]	-28	1.050 [26.67]

* REF FOR PIN LENGTH

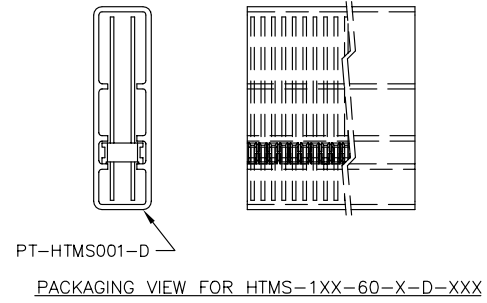
TABLE 1
STRAIGHT

LEAD STYLE	TERMINAL SPEC.	"b"
-01	T-1M6-18-XX-2	.230 [5.84]
-02	T-1M6-17-XX-2	.100 [2.54]
-03	N/A	.125 [3.18]
-21	T-1M6-21-XX-2	.230 [5.84]
-51	T-1M6-02-XX-2	.190 [4.83]
-52	T-1M6-12-XX-2	.205 [5.21]
-53	T-1M6-04-XX-2	.285 [7.24]
-54	T-1M6-14-XX-2	.335 [8.51]
-55	T-1M6-03-XX-2	.390 [9.91]
-56	T-1M6-13-XX-2	.405 [10.29]
-57	T-1M6-19-XX-2	.430 [10.92]
-58	T-1M6-05-XX-2	.485 [12.32]
-59	T-1M6-15-XX-2	.535 [13.59]
-60	T-1M6-16-XX-2	.605 [15.37]

PACKAGING TUBE TABLE

BODY STYLE	LEAD STYLE	TUBE	PLUG
HTMS-DOUBLE STRAIGHT STYLES	-01,-21,-51,-52	PT-HTMS001-D	TP-24
	-02	PT-HTMS001-D	TP-24
	-53	PT-HTMS001-D	TP-24
	-55,-56	PT-HTMS001-D	TP-24
	-54	PT-HTMS001-D	TP-24
	-57,-58	PT-HTMS001-D	TP-24
	-59	PT-HTMS001-D	TP-24
HTMS-SINGLE STRAIGHT STYLES	-60	PT-HTMS001-D	TP-24
	-01,-21,-53	PT-1-24-01-24	TP-24
	-54,-58	PT-1-24-10-03	TP-33
	-59,-60	PT-1-24-10-03	TP-33
	-02	PT-1-24-01-12	TP-12
	-51,-52	PT-1-24-01-66	TP-24
-55,-56	PT-1-24-02-03	TP-24	
-57	PT-1-24-01-46	TP-24	

- NOTES:
 1. MAX ALLOWABLE BOW: .005 INCH/INCH.
 2. TERMINAL PUSHOUT FORCE: 2 lbs. MIN.
 3. MAX PIN ROTATION IN BODY: 2°.
 4. Ⓢ REPRESENTS A CRITICAL DIMENSION.
 5. POSITIONS -08 THROUGH -50 ARE TO BE PACKAGED IN TUBES; POSITIONS -01 THROUGH -07 ARE TO BE LAYER PACKAGED.
 6. CUT FLASH .010 [.25] MAX



PLOT SCALE 1=1333

MATERIAL:
 INSULATOR:
 BLACK LIQUID
 CRYSTAL POLYMER OR
 NYLON 4/6
 TERMINAL:
 PHOSPHOR BRONZE

samtec
 520 PARK EAST BLVD. NEW ALBANY, INDIANA 47150
 PHONE (812) 944-6733 P.O. BOX 1147
 CODE 55322

MADE BY: GREG REDINGER 2-24-92
 CHECKED BY: ECKERT
 ENG APPROVAL: HTMS-1XX-XX-XX-X-XXX
 PAE
 SHEET 1 OF 1

PROPRIETARY NOTE
 THIS DOCUMENT CONTAINS INFORMATION CONFIDENTIAL AND PROPRIETARY TO SAMTEC INC. AND SHALL NOT BE REPRODUCED OR TRANSMITTED TO OTHER DOCUMENTS OR DISCLOSED TO OTHERS OR USED FOR ANY PURPOSE OTHER THAN THAT FOR WHICH IT WAS OBTAINED WITHOUT THE EXPRESSED WRITTEN CONSENT OF SAMTEC INC.