



The Future of Analog IC Technology®

MP3360

Highly Integrated Photo Flash Charger and IGBT Driver

DESCRIPTION

The MP3360 is a fast, highly efficient and precision high voltage photo-flash charger for camera phone xenon flash.

The MP3360 has programmable peak currents of 1.5A/1.4A/1.3A/1.2A/1.1A/1.0A/0.9A/0.8A/0.75A/0.7A/0.65A/0.6A/0.55A/0.5A/0.45A/0.4A. A 60V, 0.5Ω internal power switch lowers transformer turns ratio and switching losses associated with the primary leakage inductance and winding capacitance. Integrated secondary feedback resistors provide +/-2.5% output voltage charge accuracy. MP3360 also has an integrated IGBT driver with a regulated 2.7V gate voltage.

MP3360 is available in the 10-pin, 2X2 flip chip package.

FEATURES

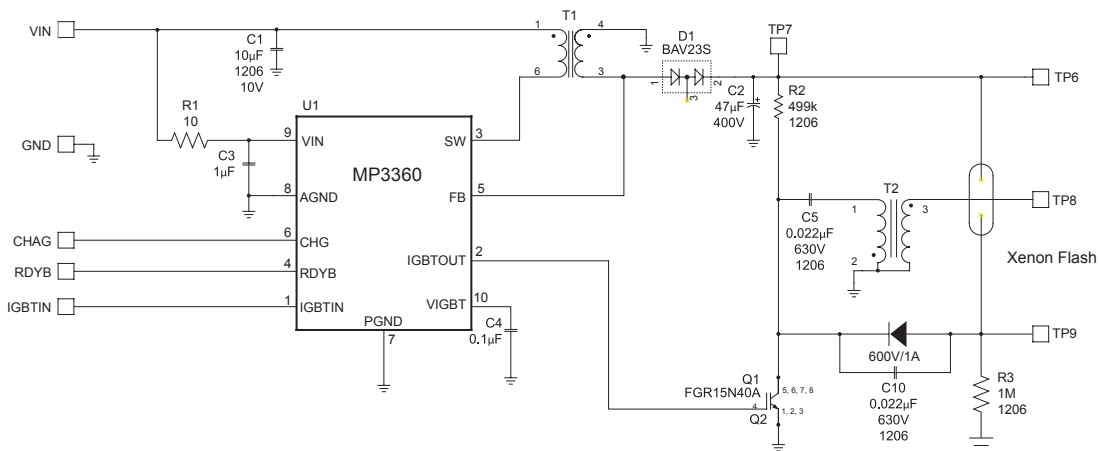
- Integrated 60V, 0.5Ω Power Switch
- Single wire digital interface for current limit programming.
- 2.5% Charge Accuracy
- <1uA Shutdown Current
- Integrated IGBT Driver with Regulated Gate Voltage

APPLICATIONS

- Mobile Phones with Xeon Flash
- Digital Still Cameras
- Optical Film Cameras
- PDAs with Xeon Flash

"MPS" and "The Future of Analog IC Technology" are Registered Trademarks of Monolithic Power Systems, Inc.

TYPICAL APPLICATION



ELECTRICAL CHARACTERISTICS

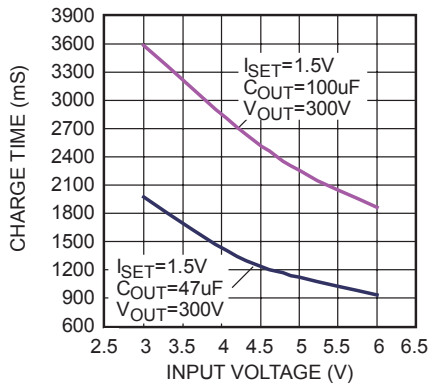
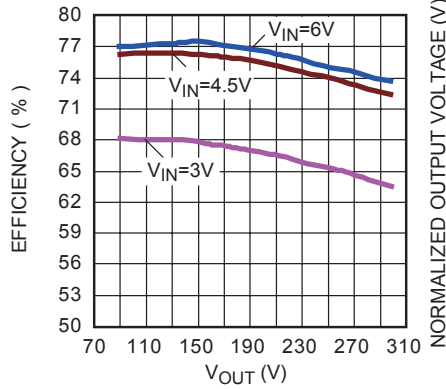
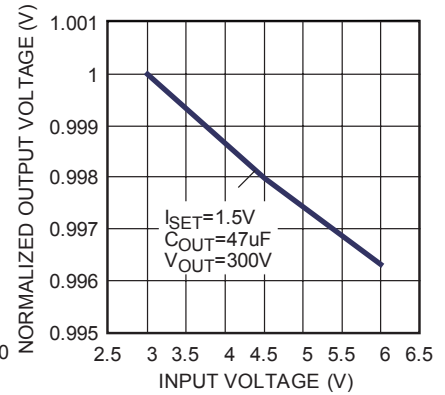
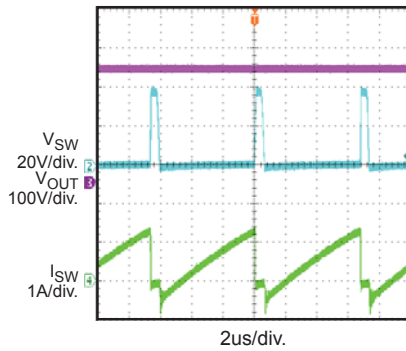
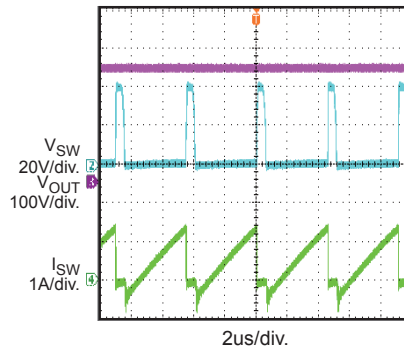
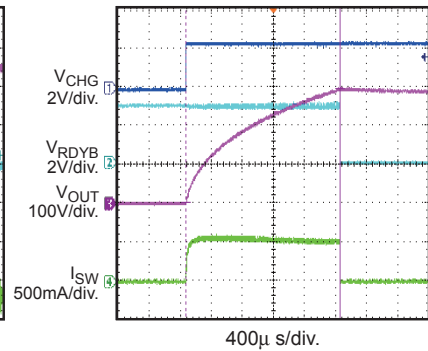
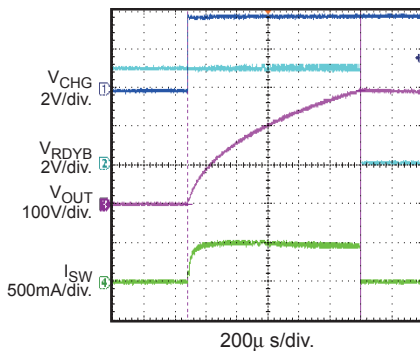
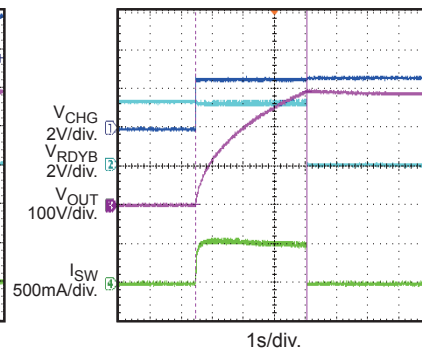
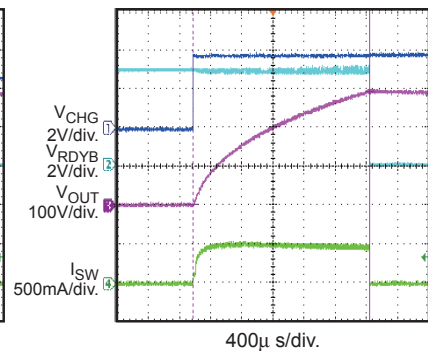
$V_{IN} = V(CHG) = 3.6V$, $T_A = +25^{\circ}C$, unless otherwise noted.

Parameter	Conditions	Min	Typ	Max	Unit
Photoflash Capacitor Charger					
V_{IN} Voltage Range		2.5		6	V
V_{IN} UVLO	Rising edge, hysteresis = 200mV typical			2.5	V
V_{IN} Quiescent Current	$V(CHG)=High$, $V(SW) = 0$		1	2	mA
V_{IN} Quiescent Current	$V(CHG)=High$, $V(FB) = 325V$			150	μA
Shutdown Current from V_{IN}	$V(CHG)=Low$, $V_{IN}=3.6V$			1	μA
V_{SW} Leakage Current	$V_{IN}=3.6V$, $V_{SW}=60V$, in Shutdown			1	μA
SW ON Resistance between SW and GND	Switch turn-on		0.5		Ω
Pull-down Resistance of CHG pin	$V(CHG)=3.6V$		100		k Ω
IPEAK1	Program for Highest Current Limit	1.3	1.5	1.7	A
IPEAK2	Program for Lowest Current Limit		0.4	0.6	A
Charge completion detect voltage at FB		290	298	308	V
FB Resistance	$V(FB)=30V$		303		k Ω
DCM Comparator threshold			5		V
RDYB Leakage Current	$V(RDYB)=3.6V$			0.1	μA
RDYB Output Low Voltage	ISINK= 2mA		0.2		V
MAX TON	Maximum TON time		70	120	μS
Thermal Shutdown	Rising edge, hysteresis = 15 $^{\circ}C$		150		$^{\circ}C$
Charge Input High Voltage		2.4			V
Charge Input Low Voltage				0.6	V
t_{HI}		0.1			μS
t_{LO}		0.1			μS
$t_{EN\ delay}$		30			μS
t_{PW}	$V_{in}=2.7V-5.5V$			60	μS

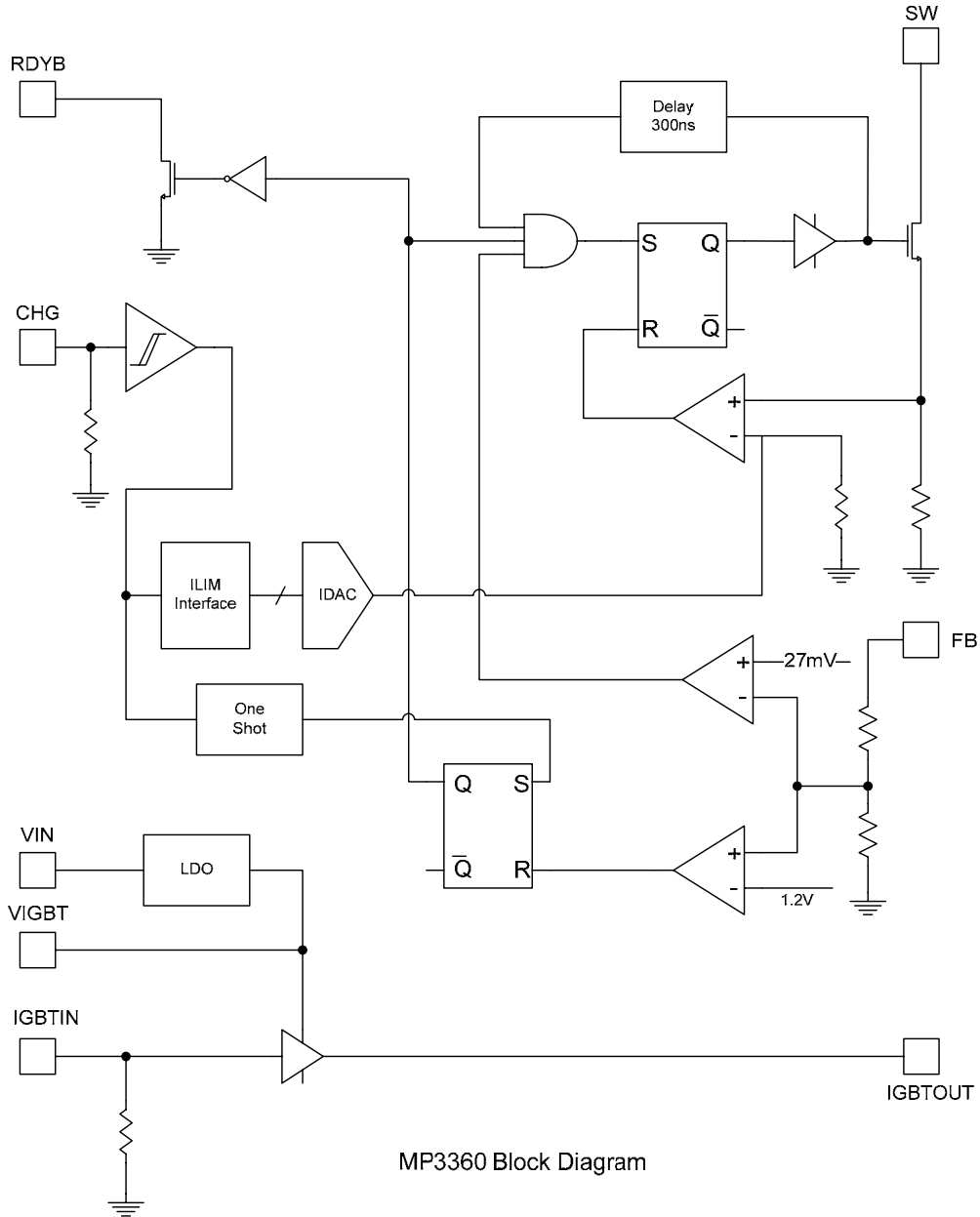
PIN FUNCTIONS

Pin	Name	Function
1	IGBTIN	Logic Input Pin for IGBT Drive.
2	IGBTOUT	Output Drive for IGBT Gate. Connect this pin to the gate of the IGBT.
3	SW	Switch Pin. This is the drain of the internal power switch.
4	RDYB	Open-Drain Power-Ready Output. RDYB becomes low when the output voltage is reached.
5	FB	Feedback Pin. Its trip voltage is 298V
6	CHG	Charge Enable Pin. A low to high transition on this pin puts the part into power delivery mode. Once the target voltage is reached, the part will stop charging the output. Toggle this pin will start charging again. Bring this pin low will terminate the power delivery and put the part in shutdown. This pin can be also used to program the peak current regulation. See the description for current programming.
7	PGND	Power Ground
8	AGND	Analog ground. Tie it directly to local ground plane.
9	VIN	Input Supply Pin. Connect it to system supply voltage. Bypass VIN to GND with a 0.1uF or greater ceramic capacitor.
10	VIGBT	2.7V LDO output. VIGBT is the supply voltage for IGBT gate driver. Bypass VIGBT with 0.1uF cap to GND.

TYPICAL PERFORMANCE CURVES

Charge Time vs. Input Voltage

Efficiency vs V_{OUT}
 $I_{SET}=1.5A$

Line Regulation

Switching Waveform
 $V_{IN} = 3.3V, V_{OUT} = 300V,$
 $I_{SET} = 1.5A, C_{OUT} = 47\mu F$

Switching Waveform
 $V_{IN} = 5.0V, V_{OUT} = 300V,$
 $I_{SET} = 1.5A, C_{OUT} = 47\mu F$

Charging Waveform
 $V_{IN} = 3.3V, V_{OUT} = 300V,$
 $I_{SET} = 1.5A, C_{OUT} = 47\mu F$

Charging Waveform
 $V_{IN} = 5.0V, V_{OUT} = 300V,$
 $I_{SET} = 1.5A, C_{OUT} = 47\mu F$

Charging Waveform
 $V_{IN} = 3.3V, V_{OUT} = 300V,$
 $I_{SET} = 1.5A, C_{OUT} = 100\mu F$

Charging Waveform
 $V_{IN} = 5.0V, V_{OUT} = 300V,$
 $I_{SET} = 1.5A, C_{OUT} = 100\mu F$


BLOCK DIAGRAM



MP3360 Block Diagram

Figure 1—Functional Block Diagram

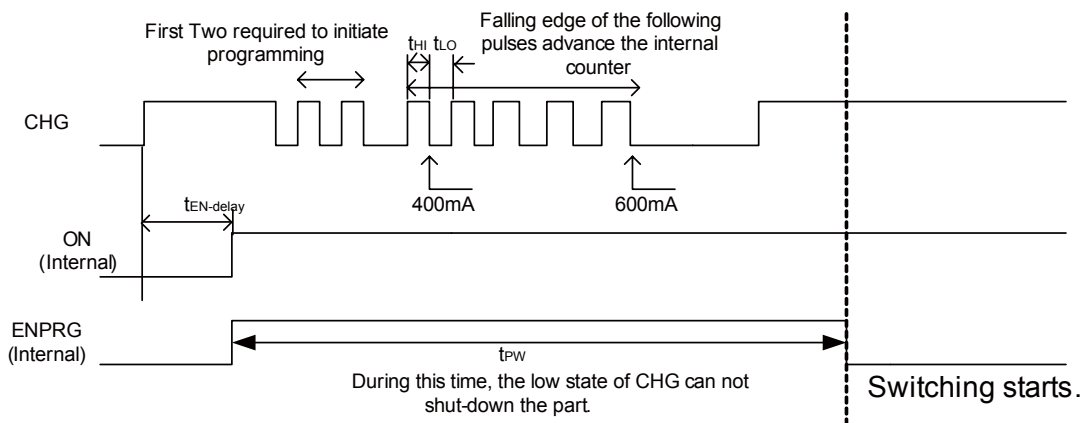
OPERATION

The MP3360 controlled flyback charger operates in critical conduction mode with peak current set by the CHG pin. The output voltage is divided down through internal 300: 1 resistive divider from the positive terminal of the transformer secondary (FB pin) and compares it with the internal 1.2V reference. The low to high transition of the CHG pin will enable the flyback converter to switch.

A constant T_{OFF} of 20 μ s is used when the output voltage is below 20V to avoid inrush current. The boundary mode operation will follow to minimize charge time when the output voltage is above 20V. A minimum T_{OFF} of 200ns serves as blanking for turn off transition. The circuit will stop switching and RDYB will be pulled low once the flash capacitor is charged to 300V, a value set by the internal 300:1 R divider and 1.2V reference. VIGBT will be regulated to 2.7V. When the charge is full, then part will shut down its internal circuitry with less than 1 μ A drawn from V_{IN} . Toggling the CHG pin will restart charge cycle. Bringing the CHG pin low terminates the power delivery and put the part in shutdown. A maximum T_{ON} timer prevents pulling current from a depleted battery. If the ON time exceeds maximum T_{ON} , the switch is forced OFF regardless of the I_{PEAK} detection.

CURRENT LIMIT PROGRAMMING

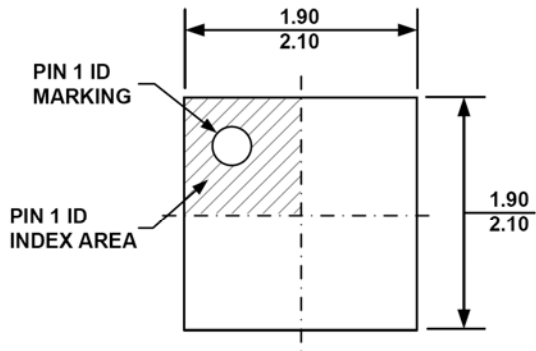
The current limit can be programmed using the CHG pin. After asserting the CHG, it should be held high for at least 30 μ s. After that, it takes two pulses to enter the programming mode. In the programming mode, each pulse advances the internal counter to the next higher current limit by 50mA until 750mA is reached and by 100mA increments beyond 750mA. The first pulse is for 400mA current limit. The next pulse will set the current limit to 450mA, etc. This programming should be done within 60 μ s. Otherwise, the programming pulses will be ignored after the programming window expires. When you have advanced to the desired current limit setting, the high state should be held to make the part switch with the set current limit. To set the current limit to 1.5A (highest possible), the previous procedure is not necessary. Asserting and holding high the CHG pin will make the part switches with a 1.5A current limit. See the following timing diagram for detailed timing information.



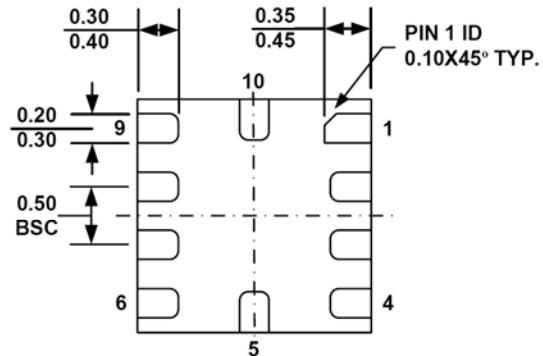
ILIM Programming Timing Diagram
(600mA Current Limit)

PACKAGE INFORMATION

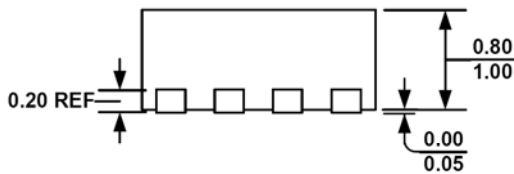
QFN10 (2mm x 2mm)



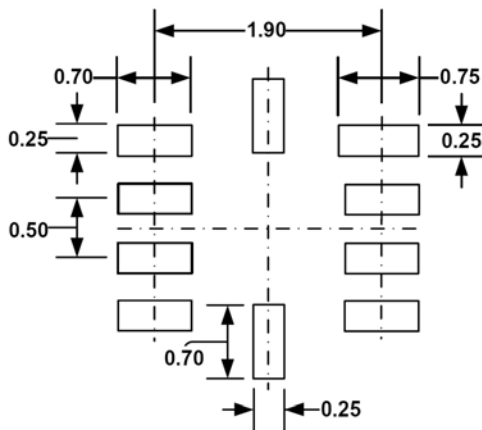
TOP VIEW



BOTTOM VIEW



SIDE VIEW



RECOMMENDED LAND PATTERN

NOTE:

- 1) ALL DIMENSIONS ARE IN MILLIMETERS.
- 2) EXPOSED PADDLE SIZE DOES NOT INCLUDE MOLD FLASH.
- 3) LEAD COPLANARITY SHALL BE 0.10 MILLIMETER MAX.
- 4) JEDEC REFERENCE IS MO-220, VARIATION VCCD.
- 5) DRAWING IS NOT TO SCALE.

NOTICE: The information in this document is subject to change without notice. Users should warrant and guarantee that third party Intellectual Property rights are not infringed upon when integrating MPS products into any application. MPS will not assume any legal responsibility for any said applications.