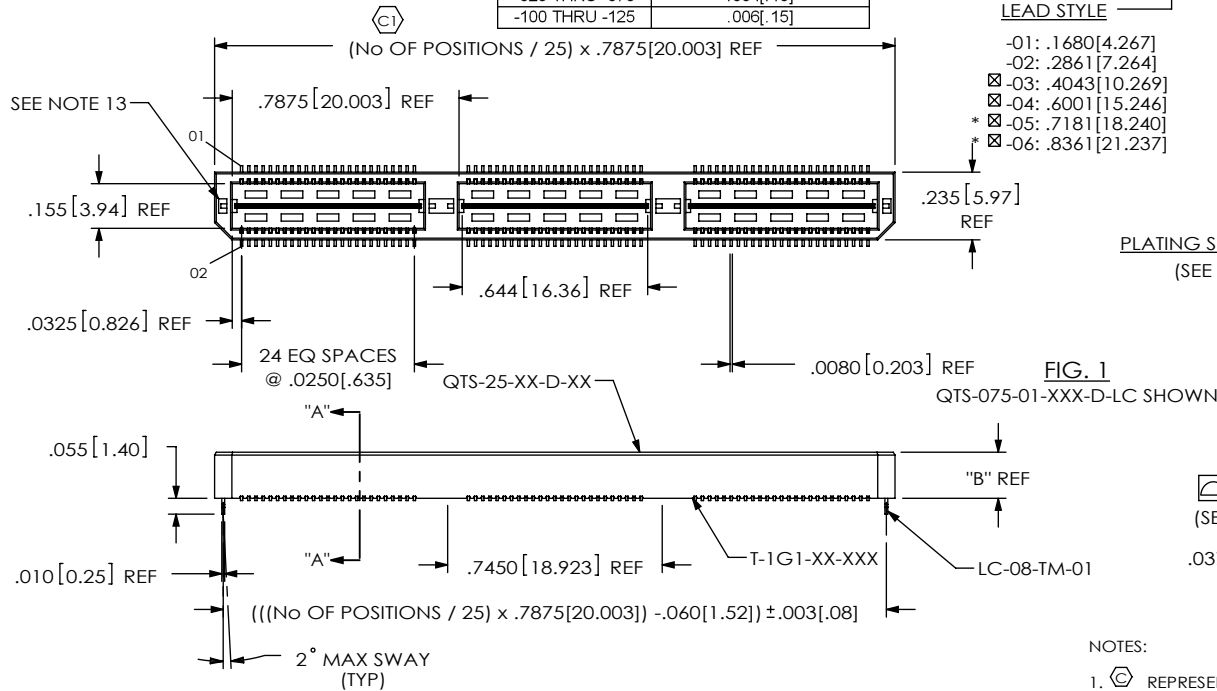


DO NOT SCALE FROM THIS PRINT

TABLE 1						MATED HEIGHT WITH QSS-01
STYLE	"A"	"B"	BODY	GROUND PLANE	TERMINAL	
-01	.1680[4.267]	.1600[4.064]	QTS-25-01-D-XX	T-1G1-01-XXX	T-1S56-01-XXX	.197[5.00] REF
-02	.2861[7.267]	.2781[7.064]	QTS-25-02-D-XX	T-1G1-02-XXX	T-1S56-22-XXX	.315[8.00] REF

TABLE 2	
No OF POSITIONS	COPLANARITY (INCLUDES GND PLANE)
-025 THRU -075	.004[.10]
-100 THRU -125	.006[.15]



-LC: LOCKING CLIP OPTION SHOWN

-A: ALIGNMENT PIN OPTION SHOWN

QTS-XXX-XX-XXX-D-XXX



No OF POSITIONS  
-025, -050, -075,  
\*\*-100, \*\*-125  
(PER ROW)  
\*\* (SEE NOTE 14)

OPTION

- LC: LOCKING CLIPS (SEE NOTE 10 AND NOTE 15) (USE LC-08-TM-01)
- A: ALIGNMENT PINS (SEE NOTE 10) (USE QTS-25-XX-D-XX-A)
- K: POLYIMIDE FILM PAD (USE K-DOT-.276-.375-.005, SEE FIG. 2)
- GP: GUIDE POST, SEE FIG. 4 (AVAILABLE ON STYLE -01 ONLY)
- TR: TAPE & REEL (75 POS MAX) (N/A ON STYLE -05 & -06)

LEAD STYLE

- 01: .1680[4.267]
- 02: .2861[7.264]
- ☒ -03: .4043[10.269]
- ☒ -04: .6001[15.246]
- \* -05: .7181[18.240]
- \* -06: .8361[21.237]

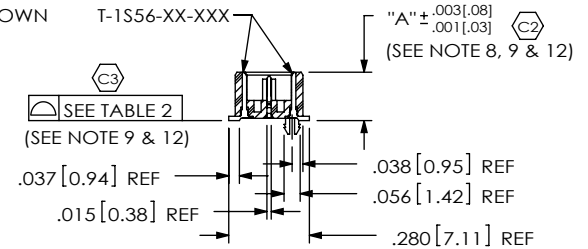
ROW SPECIFICATION

- D: DOUBLE (USE QTS-25-XX-D-XX & QTSH-25-XX-D-XX)

PLATING SPECIFICATION (SEE TABLE 5)

No OF BANKS

- ☒ = SEE SHEET 3
- \* = NOT TOOLED



NOTES:

1.  $\text{C1}$  REPRESENTS A CRITICAL DIMENSION.
2. DELETED.
3. DELETED.
4. MINIMUM TERMINAL RETENTION: 6 OZ.
5. MINIMUM GROUND PLANE RETENTION: 1 LB.
6. DELETED.
7. PARTS TO BE MOLDED TO POSITION.
8. MAXIMUM VARIANCE OF .002[.05].
9. DIMENSION APPLIES TO TERMINALS AND GROUND PLANES INDEPENDENT OF THE GROUND PLANE OR TERMINAL RESPECTIVELY.
10. LEAD STYLES -03 AND -05: TOP BODY (QTS) CANNOT HAVE -A OPTION AND -04 AND -06 CAN USE EITHER -A OR -LC BODY.
11. T-1SXX-XX-L CAN BE SUBSTITUTED FOR T-1SXX-XX-F.
12. GROUND PLANE PRESS HEIGHT MUST BE .003[.08] LESS THAN THE MAX HEIGHT OR .001[.03] GREATER THAN THE MINIMUM HEIGHT OF THE TERMINALS.
13. WINDOW NOT PRESENT ON LEAD STYLES -02 THRU -06 HEIGHT PER REV. E OF THE QTS-25-XX-D-XX-X-XX.
14. FOR NEWAPPLICATIONS REQUIRING THESE POSITIONS, PLEASE CONTACT SAMTEC INTERCONNECT PROCESSING GROUP.
15. DUE TO THE HIGH AMOUNT OF INSERTION FORCE NEEDED, THE -LC OPTION IS NOT COMPATIBLE WITH AUTO PLACEMENT. SAMTEC RECOMMENDS MANUAL PLACEMENT FOR ALL ASSEMBLIES WITH THE -LC OPTION.

TABLE 5: PLATING SPECIFICATION

OPTION	TERMINAL		TERMINAL CALLOUT	GROUND PLANE		GROUND PLANE CALLOUT
	CONTACT AREA	REMAINDER		CONTACT AREA	REMAINDER	
-F	.000003 GOLD	.000150 MIN MATTE TIN	T-1SXX-XX-F	.000003 GOLD	.000150 MIN MATTE TIN	T-1G1-XX-F
-L	.000010 GOLD	.000150 MIN MATTE TIN	T-1SXX-XX-L	.000010 GOLD	.000150 MIN MATTE TIN	T-1G1-XX-L
-H	.000030 GOLD	.000003 GOLD	T-1SXX-XX-H	.000010 GOLD	.000003 GOLD	T-1G1-XX-G
-C	.000050 GOLD	.000150 MIN MATTE TIN	T-1SXX-XX-C	.000010 GOLD	.000150 MIN MATTE TIN	T-1G1-XX-L
-STL	.000030 GOLD	.000100 TIN/LEAD	T-1SXX-XX-STL	.000030 GOLD	.000100 TIN/LEAD	T-1G1-XX-STL
-FTL	.000003 GOLD	.000100 TIN/LEAD	T-1SXX-XX-FTL	.000003 GOLD	.000100 TIN/LEAD	T-1G1-XX-FTL

UNLESS OTHERWISE SPECIFIED, DIMENSIONS ARE IN INCHES. TOLERANCES ARE:  
DECIMALS: .XX: ±.01[.3]  
.XXX: ±.005[.13]  
.XXXX: ±.0020[.051]

PROPRIETARY NOTE

THIS DOCUMENT CONTAINS INFORMATION CONFIDENTIAL AND PROPRIETARY TO SAMTEC, INC. AND SHALL NOT BE REPRODUCED OR TRANSFERRED TO OTHER DOCUMENTS OR DISCLOSED TO OTHERS OR USED FOR ANY PURPOSE OTHER THAN THAT WHICH IT WAS OBTAINED WITHOUT THE EXPRESSED WRITTEN CONSENT OF SAMTEC, INC.



520 PARK EAST BLVD, NEW ALBANY, IN 47150  
PHONE: 812-944-6733 FAX: 812-948-5047  
e-Mail: info@SAMTEC.com code: 55322

MATERIAL: DO NOT SCALE DRAWING SHEET SCALE: 1:0.666667  
INSULATOR: LCP, COLOR: BLACK  
TERMINAL: PHOS BRONZE  
GROUND PLANE: PHOS BRONZE

DESCRIPTION: H.635mm DOUBLE ROW HS TERMINAL ASSEMBLY

DWG. NO.

QTS-XXX-XX-XXX-D-XXX

BY: DEAN P 6/28/1999 SHEET 1 OF 3

FIG. 2  
-K: POLYIMIDE FILM PAD  
(USE K-DOT-.276-.375-.005)

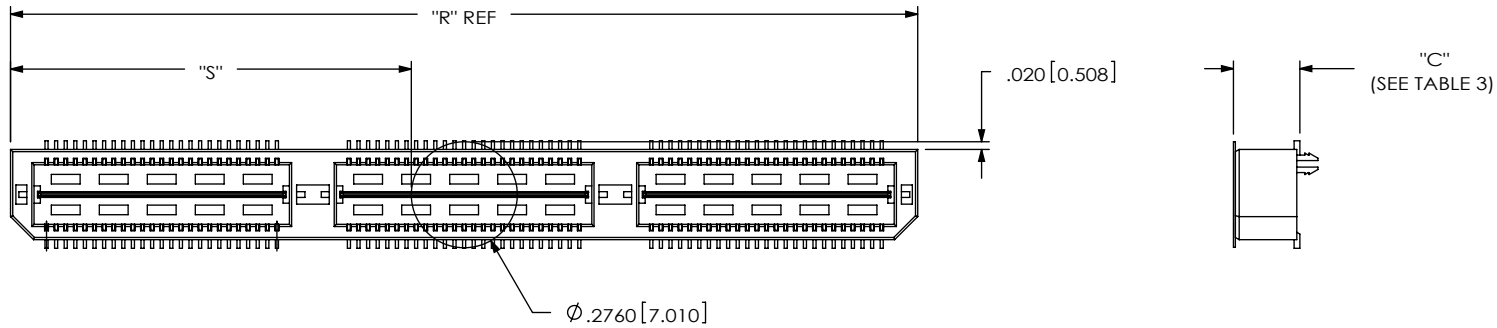
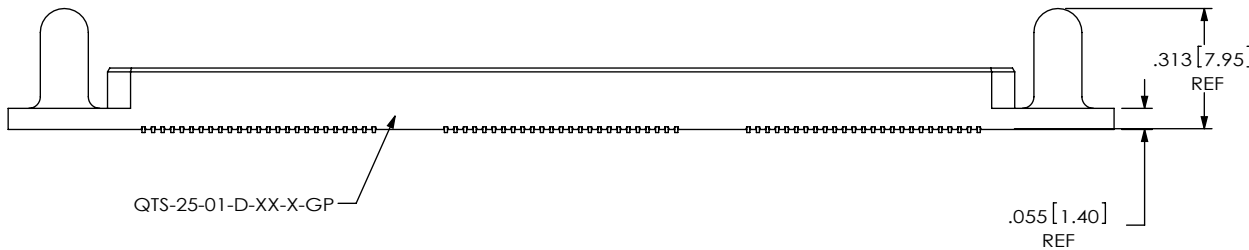
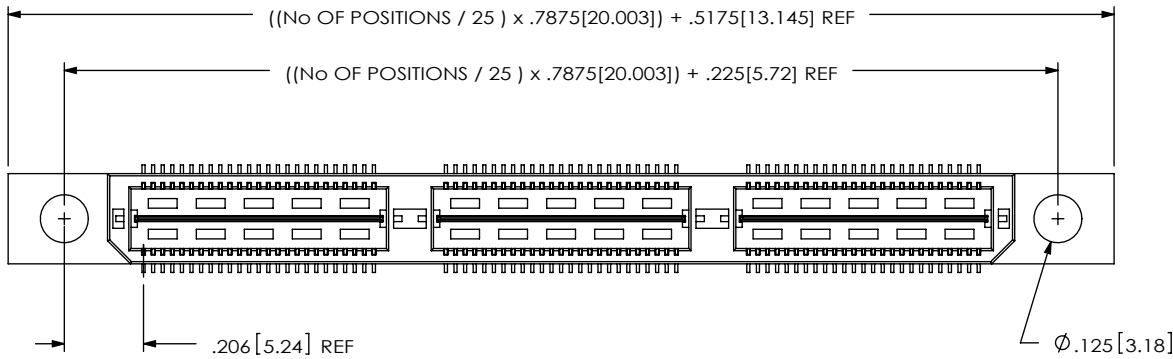


TABLE 3	
STYLE	"C"
-01	.173[4.39]
-02	.291[7.39]
-03	.409[10.39]
-04	.605[15.37]
-05	.723[18.36]
-06	.841[21.36]

NOTE: "R" = (No OF POSITIONS / 25) x .7875[20.003]  
"S" = (("R" - .276[7.01]) / 2) ± .020[.51]


FIG. 4  
-GP: GUIDE POST OPTION  
[DIFFERENT AS SHOWN, OTHERWISE SAME AS FIG. 1]  
(AVAILABLE ON STYLE -01 ONLY)



**PROPRIETARY NOTE**  
THIS DOCUMENT CONTAINS INFORMATION CONFIDENTIAL AND PROPRIETARY TO SAMTEC, INC. AND SHALL NOT BE REPRODUCED OR TRANSFERRED TO OTHER DOCUMENTS OR DISCLOSED TO OTHERS OR USED FOR ANY PURPOSE OTHER THAN THAT WHICH IT WAS OBTAINED WITHOUT THE EXPRESSED WRITTEN CONSENT OF SAMTEC, INC.

DO NOT SCALE DRAWING

SHEET SCALE: 2:1



520 PARK EAST BLVD, NEW ALBANY, IN 47150  
PHONE: 812-944-6733 FAX: 812-948-5047  
e-Mail: info@SAMTEC.com code: 55322

DESCRIPTION: H.635mm DOUBLE ROW HS TERMINAL ASSEMBLY	
DWG. NO. <b>QTS-XXX-XX-XXX-D-XXX</b>	
BY: DEAN P	6/28/1999
SHEET 2 OF 3	

TABLE 4						MATED HEIGHT WITH QSS-01
STYLE	"A"	GROUND PLANE	TERMINAL	BOTTOM SPACER BODY		
-03	.4043[10.269]	T-1G1-03-XXX	T-1S51-03-XXX	QTSH-25-01-D-XX-X	.433 [11.00]	REF
-04	.6001 [15.246]	T-1G1-04-XXX	T-1S51-04-XXX	QTSH-25-01-D-XX-X	.630 [16.00]	REF
-05	.7181 [18.240]	T-1G1-05-XXX	T-1S51-05-XXX	QTSH-25-02-D-XX-X	.748 [19.00]	REF
-06	.8361 [21.237]	T-1G1-06-XXX	T-1S51-06-XXX	QTSH-25-02-D-XX-X	.866 [22.00]	REF

\* = NOT TOOLED

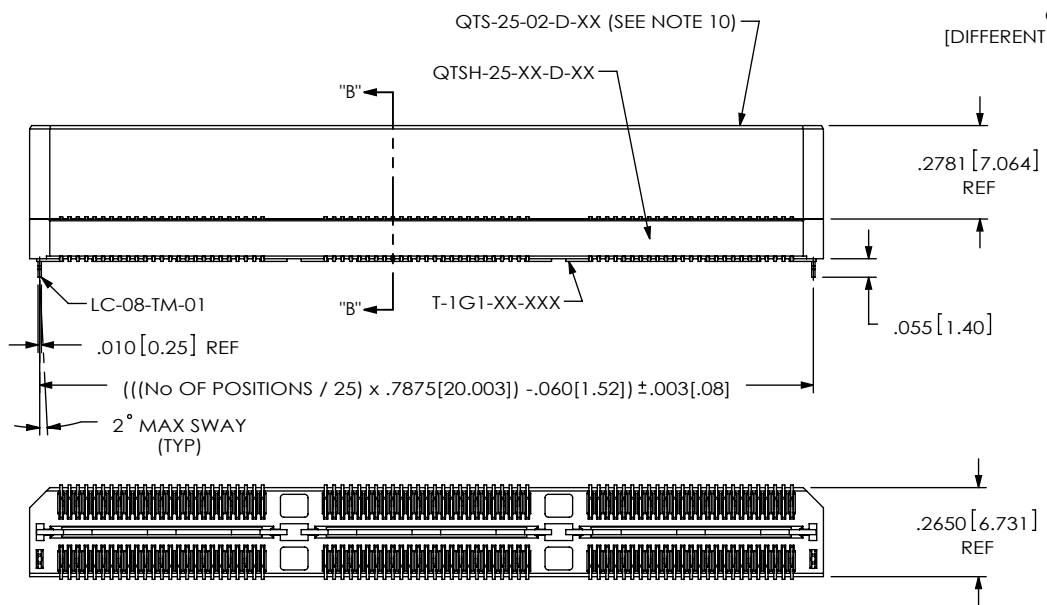
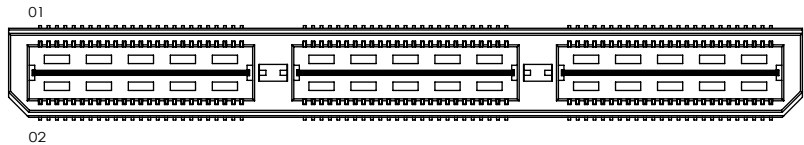
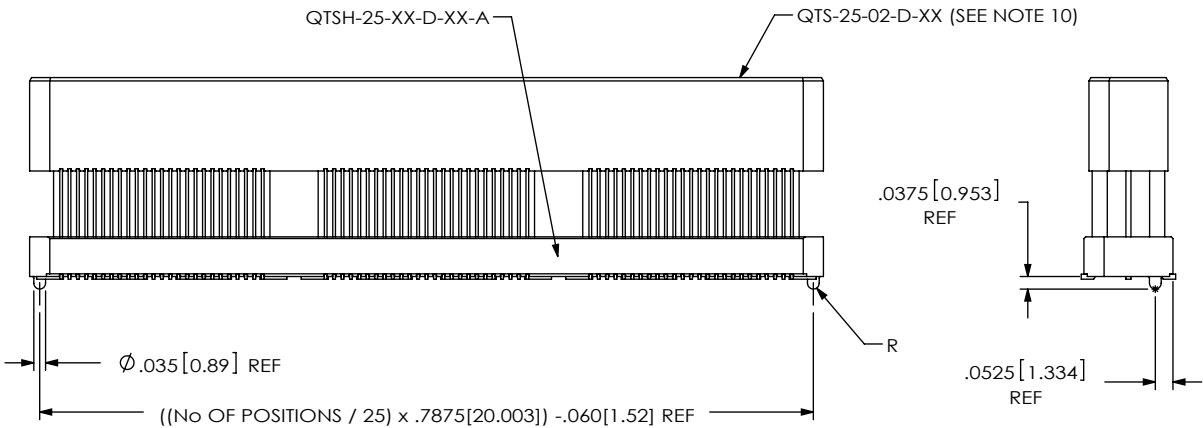
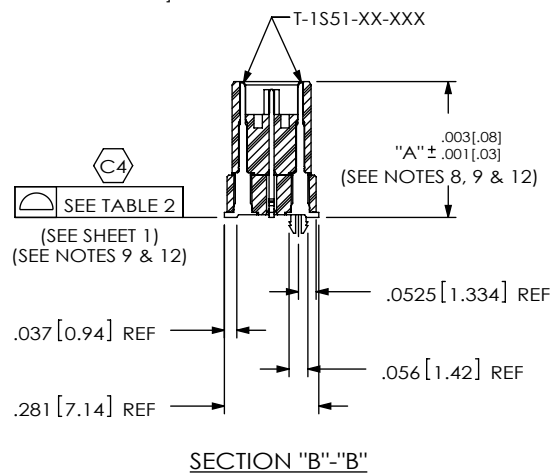


FIG. 3  
QTS-075-03-XXX-D-LC SHOWN  
[DIFFERENT AS SHOWN, OTHERWISE SAME AS FIG. 1]



-A: ALIGNMENT PIN OPTION

[DIFFERENT AS SHOWN, OTHERWISE SAME AS FIG. 3]

(STYLE -03, -04, -05 & -06)

C:\EnterpriseVault\DWG\MISC\MKTG\QTS-XXX-XX-XXX-D-XXX-MKT.SLDRW

**PROPRIETARY NOTE**  
THIS DOCUMENT CONTAINS INFORMATION CONFIDENTIAL AND PROPRIETARY TO SAMTEC, INC. AND SHALL NOT BE REPRODUCED OR TRANSFERRED TO OTHER DOCUMENTS OR DISCLOSED TO OTHERS OR USED FOR ANY PURPOSE OTHER THAN THAT WHICH IT WAS OBTAINED WITHOUT THE EXPRESSED WRITTEN CONSENT OF SAMTEC, INC.

DO NOT SCALE DRAWING

SHEET SCALE: 1.75:1



520 PARK EAST BLVD, NEW ALBANY, IN 47150  
PHONE: 812-944-6733 FAX: 812-948-5047  
e-Mail: info@SAMTEC.com code: 55322

DESCRIPTION:  
H.635mm DOUBLE ROW HS TERMINAL ASSEMBLY

DWG. NO. QTS-XXX-XX-XXX-D-XXX

BY: DEAN P 6/28/1999 SHEET 3 OF 3