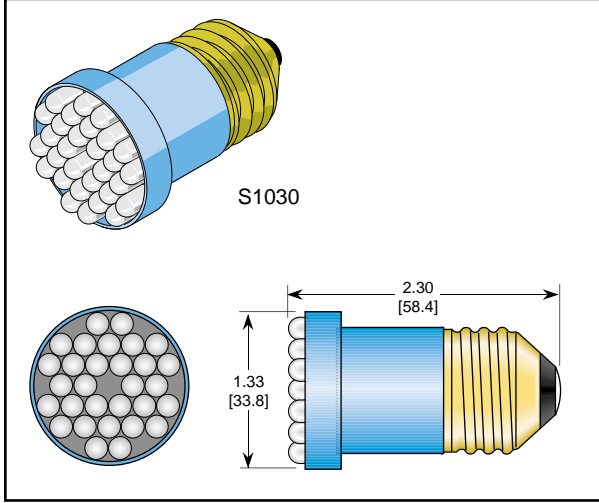




Energy Efficient Sunlight Visible, Edison Screw Base Task Light & Spotlight LED Lamps

30 LED, 25mm Medium Screw Base



Part Number	LED Color	Input Voltage	Power Watts (typ)	Intensity per LED I _v mcd (typ)	λ _p (nm)	View Angle 2θ ^{1/2}
S1030-0UR-02x	UL RED	120VAC	1.70W	1250	660	12°
S1030-0ER-02x	E RED	120VAC	1.70W	1250	630	12°
S1030-0UO-02x	AMBER	120VAC	1.70W	1400	612	12°
S1030-0UY-02x	YELLOW	120VAC	1.70W	1250	595	12°
S1030-0IW-02x	INC WHITE	120VAC	2.50W	2000	4500K	12°
S1030-0CW-02x	C. WHITE	120VAC	2.50W	6000	8000K	12°
S1030-0UG-02x	L. GREEN	120VAC	2.50W	1000	570	12°
S1030-1AG-02x	A. GREEN	120VAC	2.50W	1500	525	12°
S1030-1BG-02x	B. GREEN	120VAC	2.50W	1500	505	12°
S1030-1PB-02x	BLUE	120VAC	2.50W	1200	470	12°
S1030-851-02x	INFRARED	120VAC	1.70W	10mW ^③	850	12°
S1030-881-02x	INFRARED	120VAC	1.70W	8mW ^③	880	12°
S1030-941-02x	INFRARED	120VAC	1.70W	7mW ^③	940	12°

Replace x in Part Number with Required Viewing Angle Options
 N - Narrow (12°) S - Standard (30°) M - Medium (50°) W - Extra Wide (120°)
 For Other Voltages, Replace 02 at End of Part Number with:
 01 - 24VDC, 03 - 12VDC, 04- 240VAC

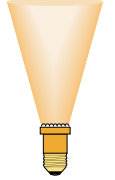
Standard Viewing Angle:



Narrow Angle (N)

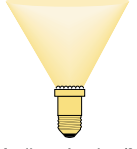
Optional Viewing Angles:

30°



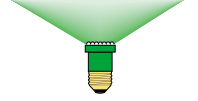
Standard Angle (S)

50°



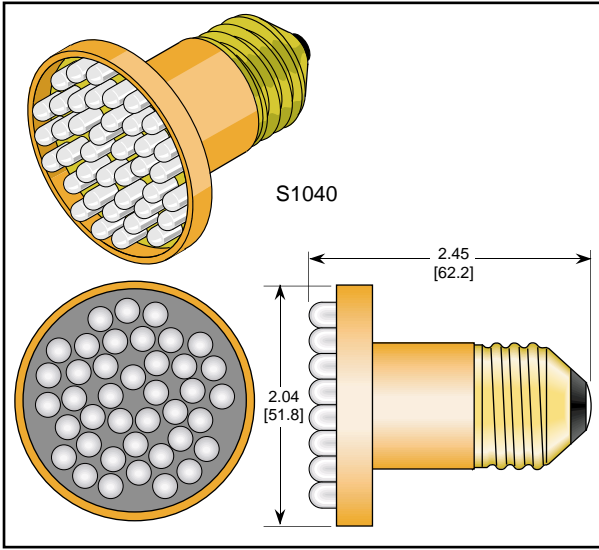
Medium Angle (M)

120°



Extra Wide Angle (W)

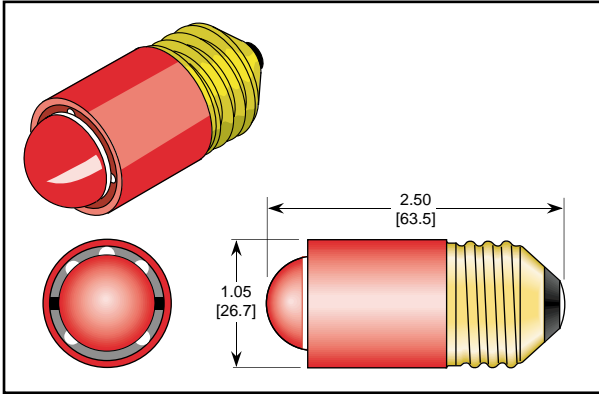
40 LED, 25mm Medium Screw Base



Part Number	LED Color	Input Voltage	Power Watts (typ)	Intensity per LED I _v mcd (typ)	λ _p (nm)	View Angle 2θ ^{1/2}
S1040-0UR-02x	UL RED	120VAC	1.70W	1250	660	12°
S1040-0ER-02x	E RED	120VAC	1.70W	1250	630	12°
S1040-0UO-02x	AMBER	120VAC	1.70W	1400	612	12°
S1040-0UY-02x	YELLOW	120VAC	1.70W	1250	595	12°
S1040-0IW-02x	INC WHITE	120VAC	2.50W	2000	4500K	12°
S1040-0CW-02x	C. WHITE	120VAC	2.50W	6000	8000K	12°
S1040-0UG-02x	L. GREEN	120VAC	2.50W	1000	570	12°
S1040-1AG-02x	A. GREEN	120VAC	2.50W	1500	525	12°
S1040-1BG-02x	B. GREEN	120VAC	2.50W	1500	505	12°
S1040-1PB-02x	BLUE	120VAC	2.50W	1200	470	12°
S1040-851-02x	INFRARED	120VAC	1.70W	10mW ^③	850	12°
S1040-881-02x	INFRARED	120VAC	1.70W	8mW ^③	880	12°
S1040-941-02x	INFRARED	120VAC	1.70W	7mW ^③	940	12°

Replace x in Part Number with Required Viewing Angle Options
 N - Narrow (12°) S - Standard (30°) M - Medium (50°) W - Extra Wide (120°)
 For Other Voltages, Replace 02 at End of Part Number with:
 01 - 24VDC, 03 - 12VDC, 04- 240VAC

Dome Lens LED, 25mm Medium Screw Base



Part Number	LED Color	Input Voltage	Power Watts (typ)	Intensity per LED I _v mcd (typ)	λ _p (nm)	View Angle 2θ ^{1/2}
S100T-0UR-02	UL RED	120VAC	1.70W	1250	660	160°
S100T-0OR-02	E RED	120VAC	1.70W	1250	630	160°
S100T-0O0-02	AMBER	120VAC	1.70W	1400	612	160°
S100T-0OY-02	YELLOW	120VAC	1.70W	1250	595	160°
S100T-0O0G-02	L. GREEN	120VAC	1.70W	1000	570	160°

For Other Voltages, Replace 02 at end of Part Number with:
 01 - 24VDC, 03 - 12VDC, 04- 240VAC

Notes:

- Not all possible combinations of voltage, intensity and angle are available
- Intensity shown is for narrow angle. Intensity is reduced 12 to 15 times when using extra wide angles
- Infrared LED Intensity is shown as typical milliwatt power per steradian

