



General Specifications

Motor Protection:

Auto Restart/Polarity Protection

Insulation Resistance: 10M Ω or over with a DC500V Megger

Dielectric Withstand Voltage: AC 700V 1s

Allowable Ambient Temperature Range:

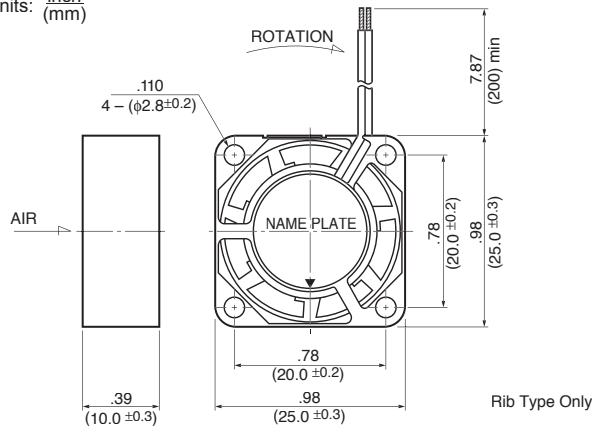
-10°C ~ +60°C (Operating)

-40°C ~ +70°C (Storage)

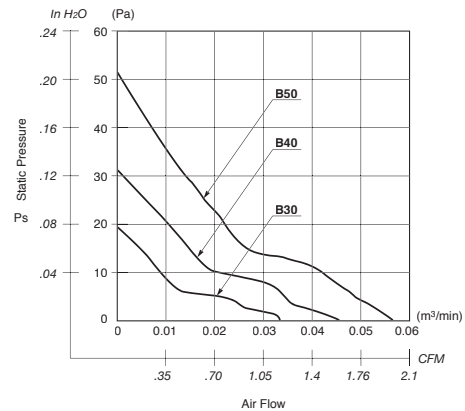
(non-condensing environment)

Outline

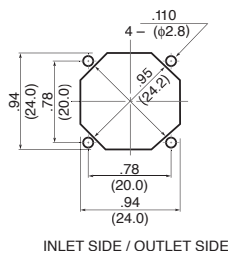
Units: $\frac{\text{inch}}{\text{mm}}$



Characteristic Curves



Panel Cut-outs



Material

Casing : Plastic (Black) 94V-0

Impeller : Plastic (Black) 94V-0

Bearing : Ball Bearing

Lead Wire: UL1061, AWG26, +Red, -Black

Specifications

MODEL	Product No.	Rated Voltage	Operating Voltage	Current	Input Power	Speed	Max. Air Flow		Max. Static Pressure		Noise	Mass
		(V)	(V)	(A) ^{*1}	(W) ^{*1}	(min ⁻¹) ^{*1}	CFM ^{*1}	(m ³ /min) ^{*1}	in H ₂ O	(Pa) ^{*1}	(dB) ^{*1}	(g)
1004KL-01W-B30-	X00	5	4.5 ~ 5.5	0.065	0.325	7000	1.2	0.034	.078	19.5	20.0	7.5
1004KL-01W-B40-	X00	5	4.5 ~ 5.5	0.085	0.425	9000	1.6	0.046	.126	31.6	22.0	7.5
1004KL-01W-B50-	X00	5	4.5 ~ 5.5	0.125	0.625	11000	2.0	0.057	.20	50.6	25.0	7.5
1004KL-04W-B30-	X00	12	8 ~ 13.8	0.035	0.42	7000	1.2	0.034	.078	19.5	20.0	7.5
1004KL-04W-B40-	X00	12	8 ~ 13.8	0.045	0.54	9000	1.6	0.046	.126	31.6	22.0	7.5
1004KL-04W-B50-	X00	12	8 ~ 13.8	0.060	0.72	11000	2.0	0.057	.20	50.6	25.0	7.5

Rotation: Clockwise

Airflow Outlet: Air Out Over Struts

*1: Average Values in Free Air

24 10 M L - 04 W - B 10 - P 00

Individual Specifications

Standard

00 Standard
01~99: Custom

Sensor Type

00: Locked Rotor Alarm Signal (Standard)
01~49: Locked Rotor Alarm Signal (Custom)
50: Tachometer Signal (Standard)
51~99: Tachometer Signal (Custom)

Product Number

Item	Classification	Mounting Style
L:	Standard Model	Rib Type
P:	Standard Model	Flange Type
B:	Standard Model	Rib Type
E:	Standard Model	Flange Type
G:	Standard Model	Rib Type
D:	Standard Model	Flange Type
T:	Value Model	Rib Type
S:	Value Model	Flange Type
C:	Value Model	Rib Type
F:	Value Model	Flange Type
J:	Value Model	One Side Rib Type
H:	Value Model	One Side Flange Type
M:	Value Model	Rib Type
V:	Value Model	Flange Type
X:	Vented Casing	Flange Type

Special Control Function

0: Standard Type
9: Sensor Type
8: 2-Speed Type
7: Temperature Detecting Variable Speed Type / PWM Control Type
6: Temperature Detecting Variable Speed Type/Sensor Type
5: 2-Speed Type/Sensor Type

Speed

1<2<3<4<5<6<7<8

Bearing

B: Ball Bearing

Termination

W: Lead Wires
T: Terminal (Terminal option on 3610KL and 4715KL Series)

Input Voltage

01: 5V
04: 12V
05: 24V
06: 36V
07: 48V
09: Custom Voltage

Motor Function

Brushless Type DCM

Series

P Series	G Series
M Series	H Series
N Series	S Series
K Series	F Series

Overall Length (Thickness)

04: 10mm	11: 28mm
06: 15mm	12: 32mm
08: 20mm	15: 38mm
10: 25mm	20: 50mm

Frame Size

10: 25mm	28: 70mm
12: 30mm	31: 80mm
14: 35mm	36: 92mm
16: 40mm	47: 119mm
20: 50mm	50: 127mm
21: 52mm	59: 150mm
24: 60mm	68: 173mm