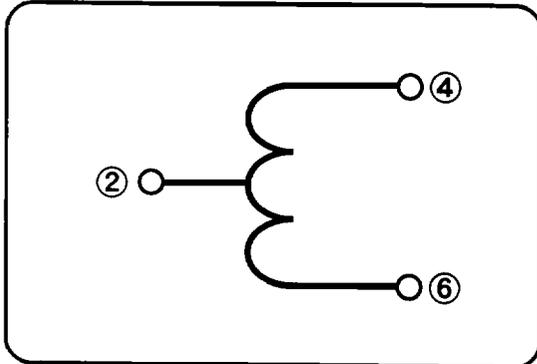


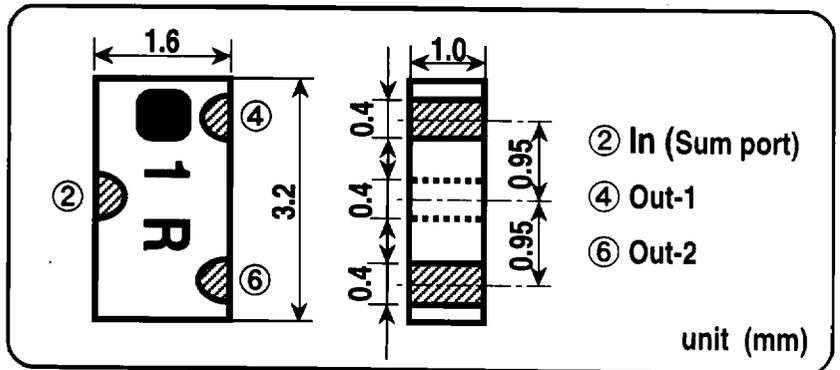
800 / 900 MHz Band Chip 0 deg. Splitter / Combiner

Model No. STH-01R-3

Equivalent Circuits



Shape & Size



Specifications

Frequency Range(MHz)	Matching Capacitor	Insertion Loss	Isolation	Return Loss	Handling Power	Temperature Range
900-1100	2pF	1dB Max. (0.2dB Typ.) ^{*1}	12dB Min. (20dB Typ.)	9.5dB Min. (17.7dB Typ.)	1W Max.	-35 ~ +85 °C

*1 Not include Splitting Loss (3dB)

Measurement Circuit

