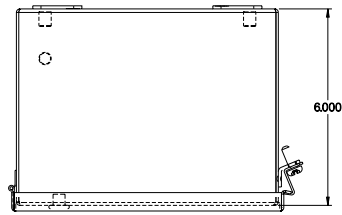




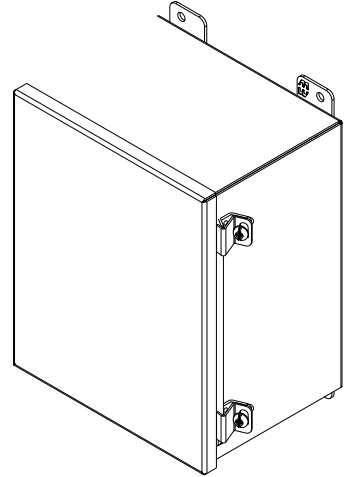
PART No. 1414PHI6LP

for more information visit  
[www.hammfg.com](http://www.hammfg.com)

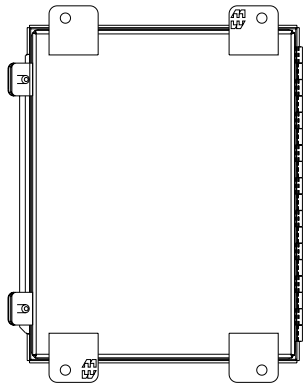
Data subject to change without notice



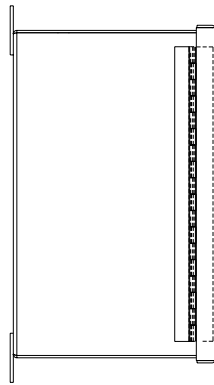
TOP VIEW



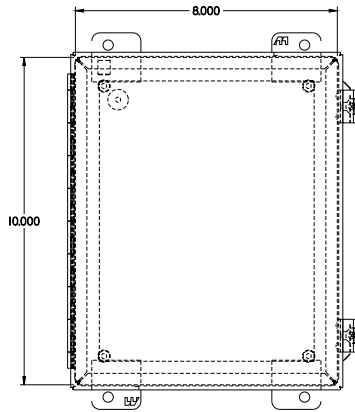
ISOMETRIC VIEW



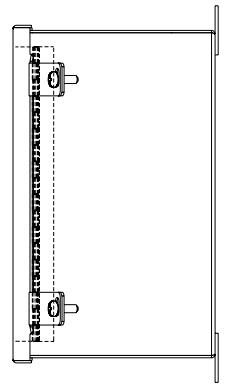
BACK VIEW



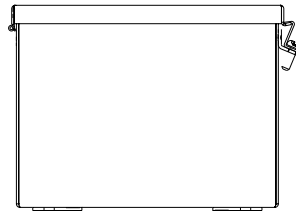
LEFT SIDE VIEW



FRONT VIEW



RIGHT SIDE VIEW



BOTTOM VIEW