

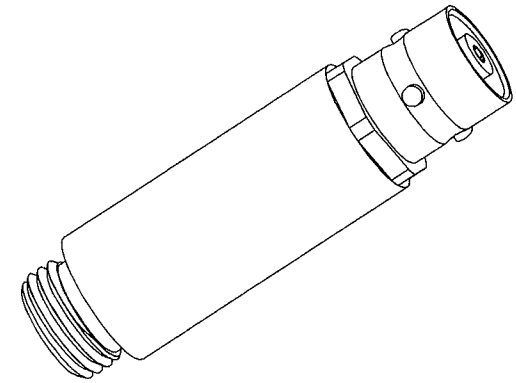
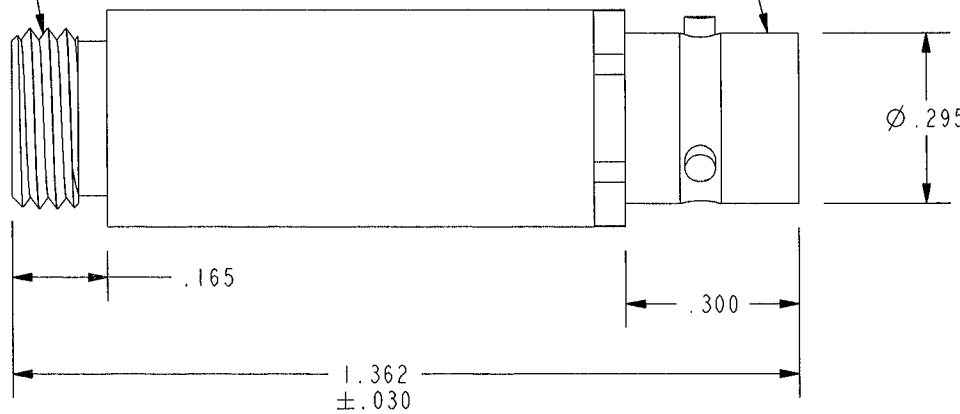
DATA CONTAINED IN THIS DOCUMENT IS PROPRIETARY TO TROMPETER ELECTRONICS INC. AND SHALL NOT BE DISCLOSED, COPIED OR USED FOR PROCUREMENT OR MANUFACTURE WITHOUT EXPRESS WRITTEN PERMISSION.

REVISIONS

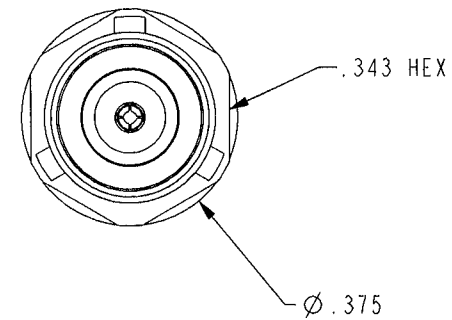
REV	DESCRIPTIONS	DATE	APPROVED
K	REVISED PER ECO 16515	1/30/08	AMM

.3125-32 UNEF-2A

TPS RECEPTACLE



SCALE 2/1



RED INDICATES ORIGINAL

2. 50 Ω THREADED PANEL MOUNT MINIATURE COAXIAL PATCH JACK WITH TPS JACK

1. TFS-1A (NICKEL)

NOTES: UNLESS OTHERWISE SPECIFIED.

INTERPRET DRAWING PER MIL-STD-100. DIMENSIONS ARE IN INCHES AND INCLUDE FINISH THICKNESS UNLESS OTHERWISE SPECIFIED.

TOL: UNLESS SPECIFIED.
 .XX ± .02
 .XXX ± .010
 ANGLE ± 1°



DRN M JOHNSON	12-13-07	MATERIAL:	TITLE:
CHK JL	1-25-08	FINISH:	J8
QUALITY			

155-0566	APPROVED AM	1/29/08	SIZE A	CAGE CODE 14949	DRAWING NO. 1-0116	REV. K
NEXT ASSY	PROJ FILE NO. 1-0116	DO NOT SCALE DWG	SCALE 3/1	DATE 12-7-1966	SHEET 1C	