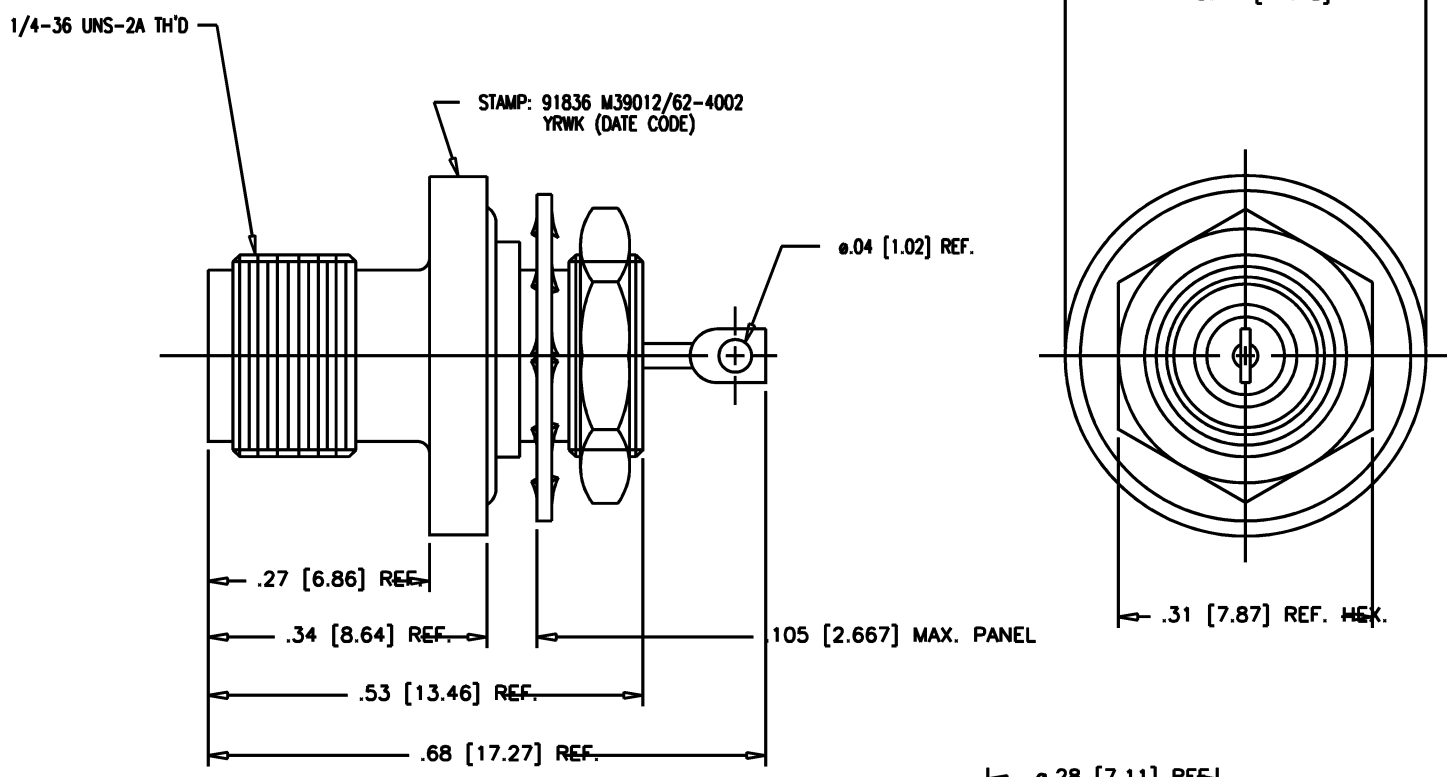


DASH NO.	M CODE	MADE FROM
----------	--------	-----------

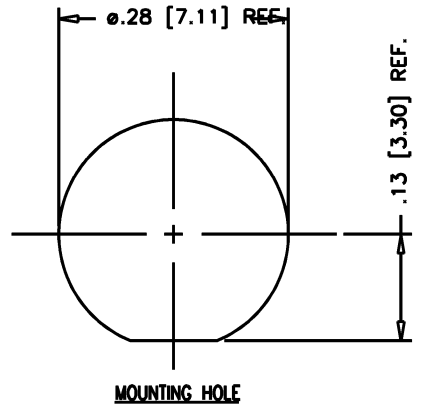
GSD

M39012/62-4002

REVISIONS	
ISSUE	CHANGES
8	CN 39731 A REDRAWN HVN 12/12/06
9	CN 39850 A DRK 03/20/07



- NOTES:**
- MARK PACKAGE: 91836 M39012/62-4002
874-4 YRWK (DATE CODE)
 - INTERFACE PER MIL-STD-348, FIG. 310-2.
 - MATERIALS:
INSULATOR: TEFLON, ASTM-D-4894
CENTER CONTACT AND BODY: BR. COPPER, ASTM-B196
LOCKWASHER: PHOSPHOR BRONZE, ASTM-B103
O-RING: SILICONE RUBBER, A-A-59588
ALL OTHER METAL PARTS: BRASS, ASTM-B16
 - FINISHES:
GLASS SEAL AND ALL METAL PARTS: HARD GOLD PLATE, PER ASTM-B488
 - ELECTRICAL CHARACTERISTICS:
NOMINAL IMPEDANCE: 50 OHMS
WORKING VOLTAGE: 355 VRMS
FREQUENCY RANGE: DC TO 12.4 GHz.
 - LEAKAGE RATE SHALL NOT EXCEED 1×10^{-7} cc/SEC. OF TRACER GAS AT ATMOSPHERIC PRESSURE.



874-4S

SCALE	6:1
APPROX SURFACE AREA	
USED ON	
REF:	
HERMETIC SEAL, SMA, BKHD RCPT, (FRONT MOUNT)	
DRAWN	H. NGUYEN
DATE	12/11/06
DESIGN	B.B.
DATE	11/12/71
APPR.	
DATE	



GSD

M39012/62-4002