

80mm sq.

San Ace 80

15mm thick (GA type), 15mm thick, 20mm thick (GA type)
 20mm thick, 25mm thick (GA type), 25mm thick (S type)
 25mm thick (GV type), 25mm thick
 25mm thick (San Cooler), 32mm thick (GA type)
 32mm thick, 38mm thick (HV type), 38mm thick (GA type)
 38mm thick (GV type), 38mm thick (G type)



Model no. 109P0812C601 is not certified.

General Specifications

- Material Frame: Plastics (Flammability: UL94V-0),
Impeller: Plastics (Flammability: UL94V-1)
- Expected Life Refer to specifications (L10:Survival rate:90% at 60°C ,
rated voltage, and continuously run in a free air state)
- Lead Wire ⊕red ⊖black or blue (Sensor) yellow
- Storage Temperature -30°C to +70°C (Non-condensing)

80×80×20mm (Mass : 100g)

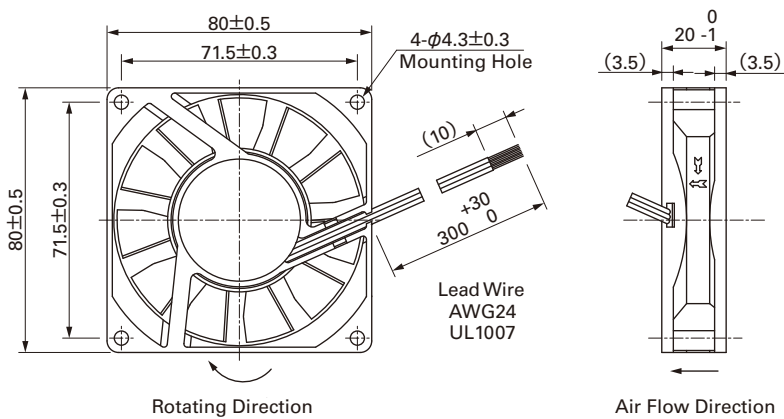
Specifications

The following nos. **have pulse sensors and ribs.**

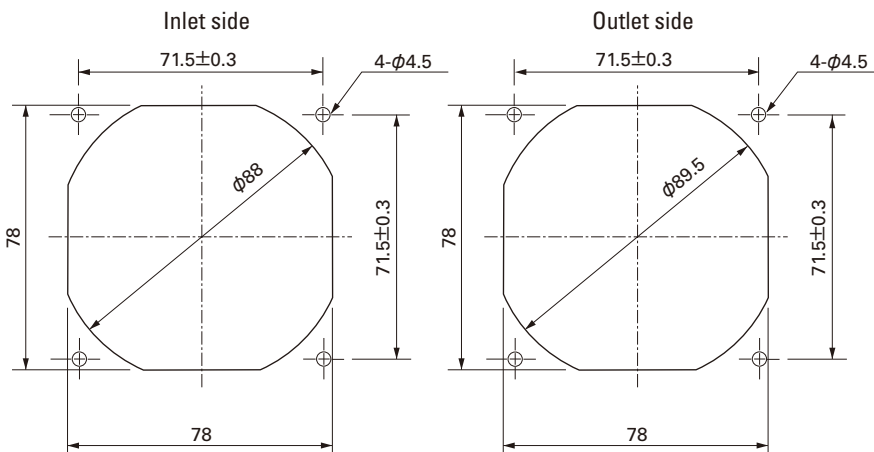
Model No.	Rated Voltage [V]	Operating Voltage Range [V]	Rated Current [A]	Rated Input [W]	Rated Speed [min ⁻¹]	Max. Air Flow [m ³ /min] [CFM]	Max. Static Pressure [Pa] [inchH ₂ O]	SPL [dB(A)]	Operating Temperature [°C]	Expected Life [h]
109P0812C601	12	10.2 to 13.8	0.29	3.48	3,700	1.07 37.8	46 0.185	39	-20 to +60	60,000
109P0812H601			0.21	2.52	2,900	0.84 29.7	29.4 0.118	31		
109P0812M601			0.13	1.56	2,300	0.67 23.7	18.6 0.075	25		
109P0824H601	24	20.4 to 27.6	0.12	2.88	2,900	0.84 29.7	29.4 0.118	31	-20 to +70	60,000
109P0824M601			0.07	1.68	2,300	0.67 23.7	18.6 0.075	25		
109P0848C601	48	38 to 57.6	0.08	3.84	3,700	1.07 37.8	46 0.185	39	-20 to +70	40,000
109P0848H601			0.05	2.4	2,900	0.84 29.7	29.4 0.118	31		

- Available options: ⇒ **Without Sensor**
- Please inquire as the availability of these functions depend on the model. ⇒ **Lock Sensor**

Dimensions (Unit : mm)



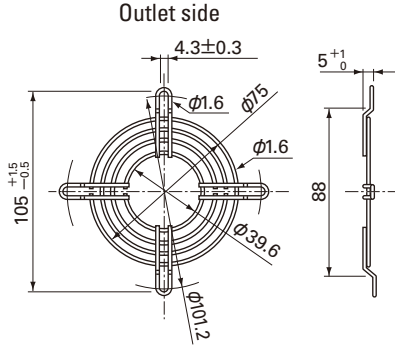
Reference dimension of mounting holes and vent opening (Unit : mm)



Options (Unit : mm)

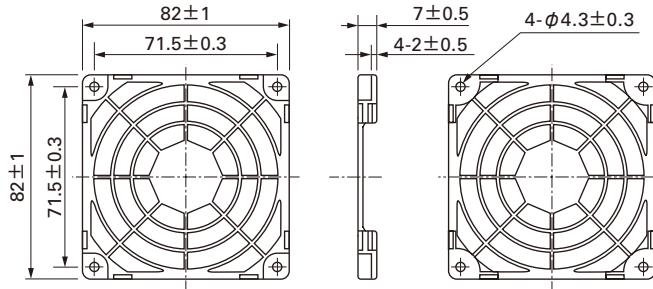
Finger guards

Model : 109-049C Color
Surface treatment : Nickel-chrome plating (silver)



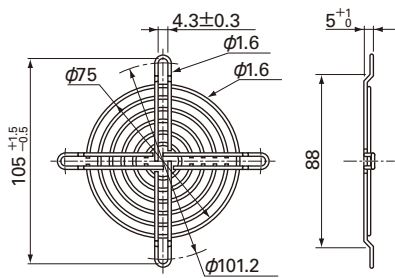
Resin finger guards

Model : 109-1002G



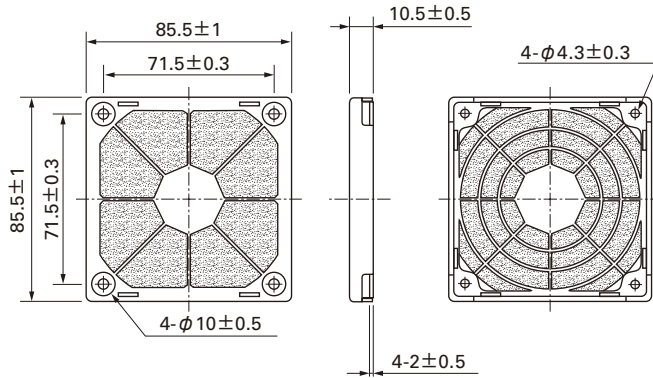
Model : 109-049E Color
Surface treatment : Nickel-chrome plating (silver)
: 109-049H : Cation electropainting (black)

Inlet side, Outlet side

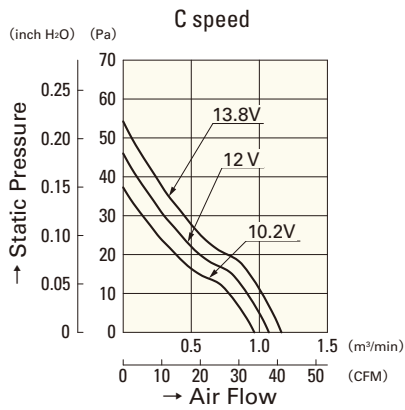


Resin filter kits

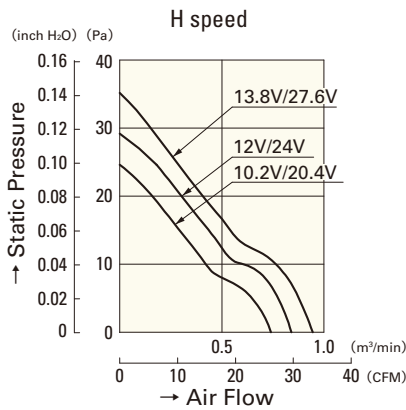
Model : 109-1002F13 (13PPI), 109-1002F20 (20PPI)
: 109-1002F30 (30PPI), 109-1002F40 (40PPI)



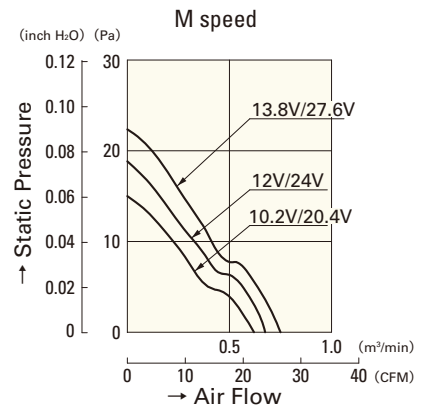
Air Flow - Static Pressure Characteristics



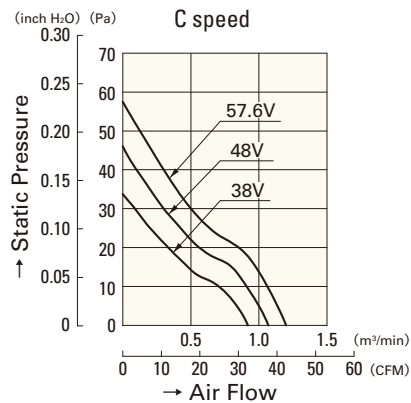
109P0812C601



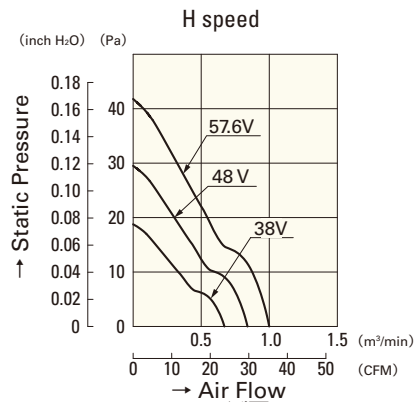
109P0812H601
109P0824H601



109P0812M601
109P0824M601



109P0848C601



109P0848H601