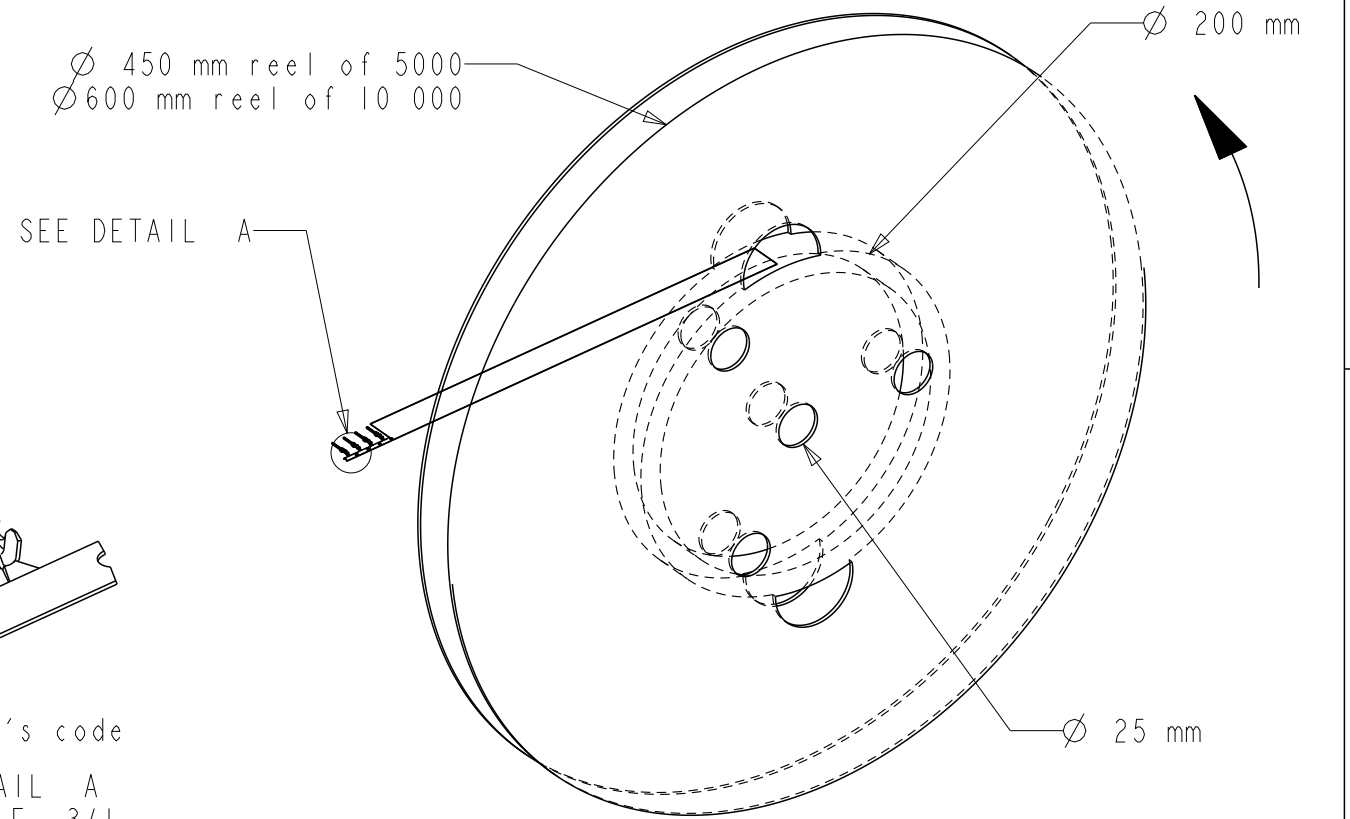
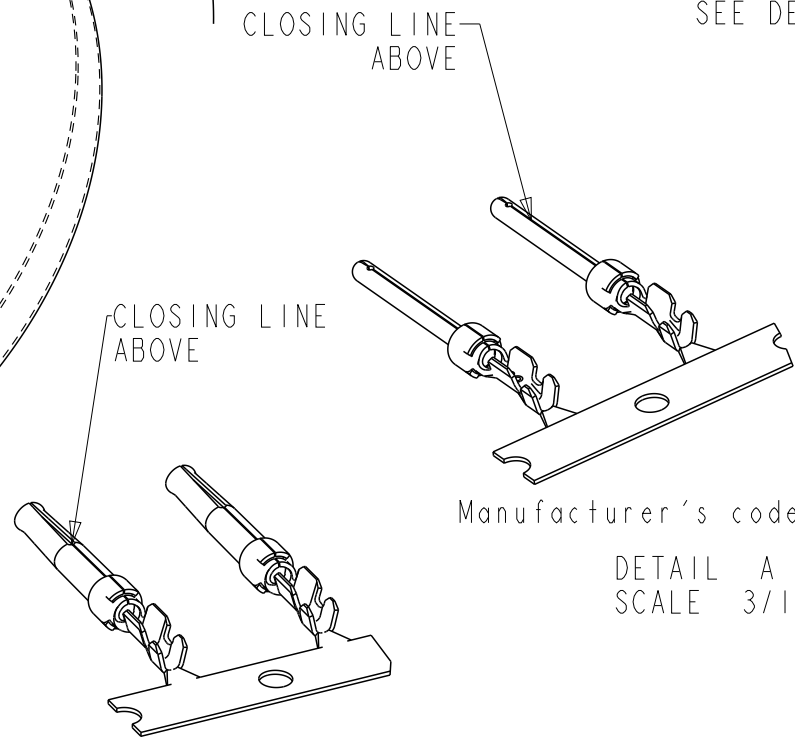
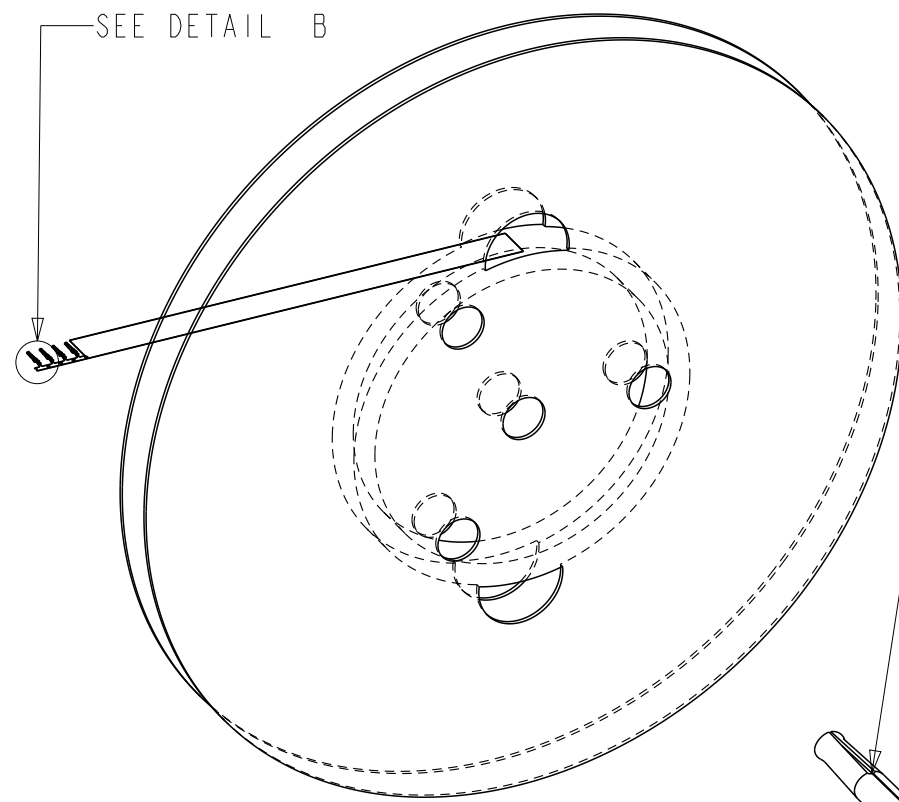


# REFERENCE FOR REEL ACCORDING TO FEEDING DIRECTION

GAUGE	REEL OF 5000 FEMALE CONTACTS		REEL OF 10000 FEMALE CONTACTS		GAUGE	REEL OF 5000 PIN CONTACTS		REEL OF 10000 PIN CONTACTS	
# 24-28	-	-	86566540064	86566540064LF	# 24-28	-	-	86564540064	86564540064LF
# 20-24	-	-	-	-	# 20-24	-	-	-	-
# 24-28	86566510065	86566510065LF	86566540065	86566540065LF	# 24-28	86564510065	86564510065LF	86564540065	86564540065LF
# 20-24	86566520065	86566520065LF	86566530065	86566530065LF	# 20-24	86564520065	86564520065LF	86564530065	86564530065LF
# 24-28	86566510067	86566510067LF	86566540067	86566540067LF	# 24-28	86564510067	86564510067LF	86564540067	86564540067LF
# 20-24	86566520067	86566520067LF	86566530067	86566530067LF	# 20-24	86564520067	86564520067LF	86564530067	86564530067LF

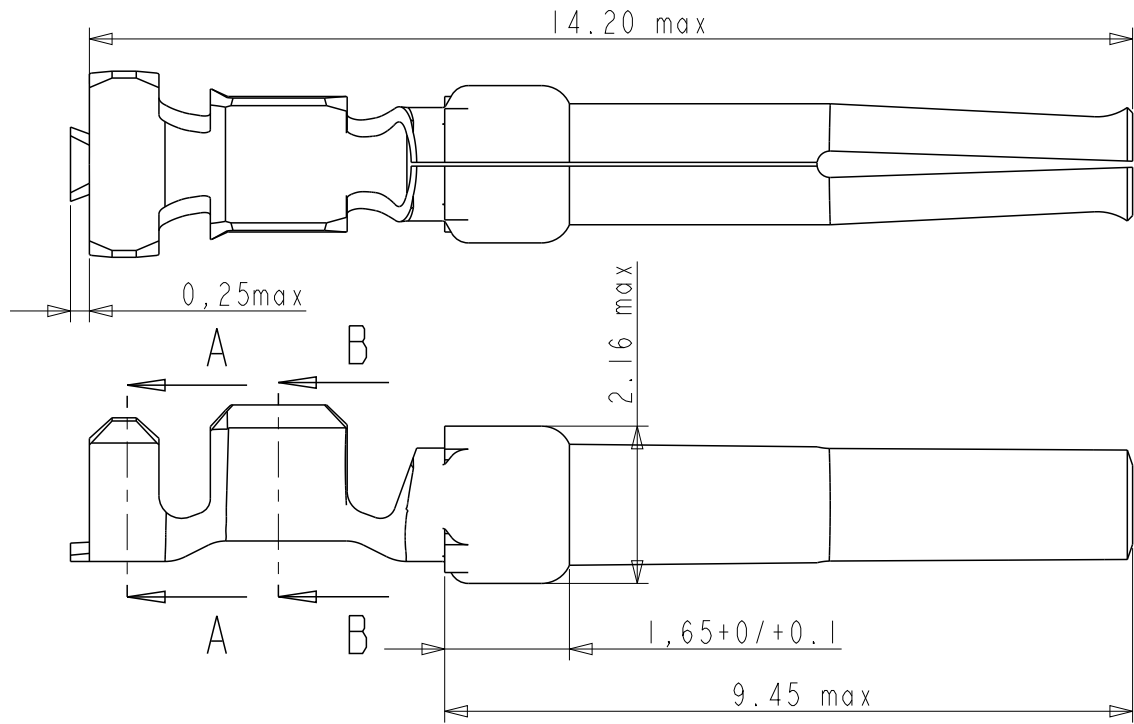


Copyright FCI.

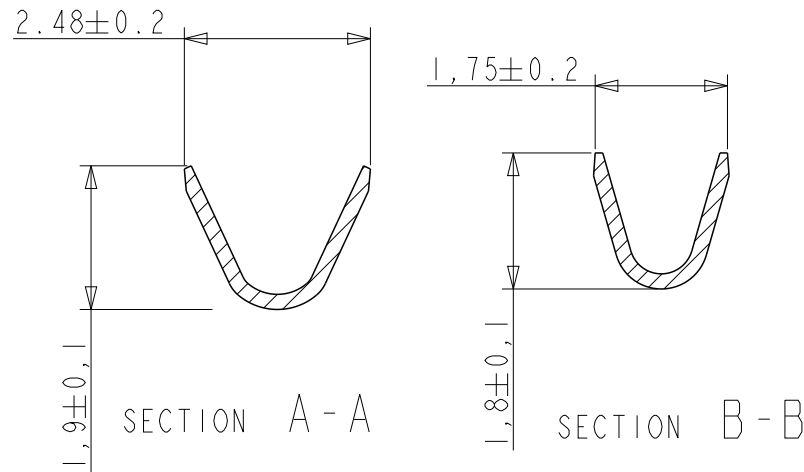
NOTE : ROHS INFORMATIONS  
 The LF products meet European union directives and other country regulations as described in GS-22-008  
 Terminations plating spec : 2um Nickel min + 2um Sn min  
 Packaging Spec : see GS-14-920

rev	ecn no	dr	date
K	111-0003	AMR	2011-01-06
E	LS06-196	MPE	27/11/2006
F	LS08-0096	MPE	2008/04/04
G	LS08-0127	MPE	2008/05/13
H	109-0152	AMR	2009-07-27
J	110-0070	AMR	2010-03-09

www.fciconnect.com		surface ISO 1302	tolerance std ISO 406 ISO 1101	projection mm
Dr CJARRY		TOLERANCES UNLESS OTHERWISE SPECIFIED		Scale 5/1
Eng -	11/07/03	ANGULAR	0.X ±0.3	size A3
Chr -	-	LINEAR	0.XX ±0.1	
Appr -	-	0° ±2°	0.XXX ±0.05	ECN 111-0003
Product family			8656	Spec ref -
FCI		CRIMP CONTACTS		Rev. K
catalog no		customer		sheet 1 of 2



CROSS SECTIONS FOR CT #20-24



NOTES

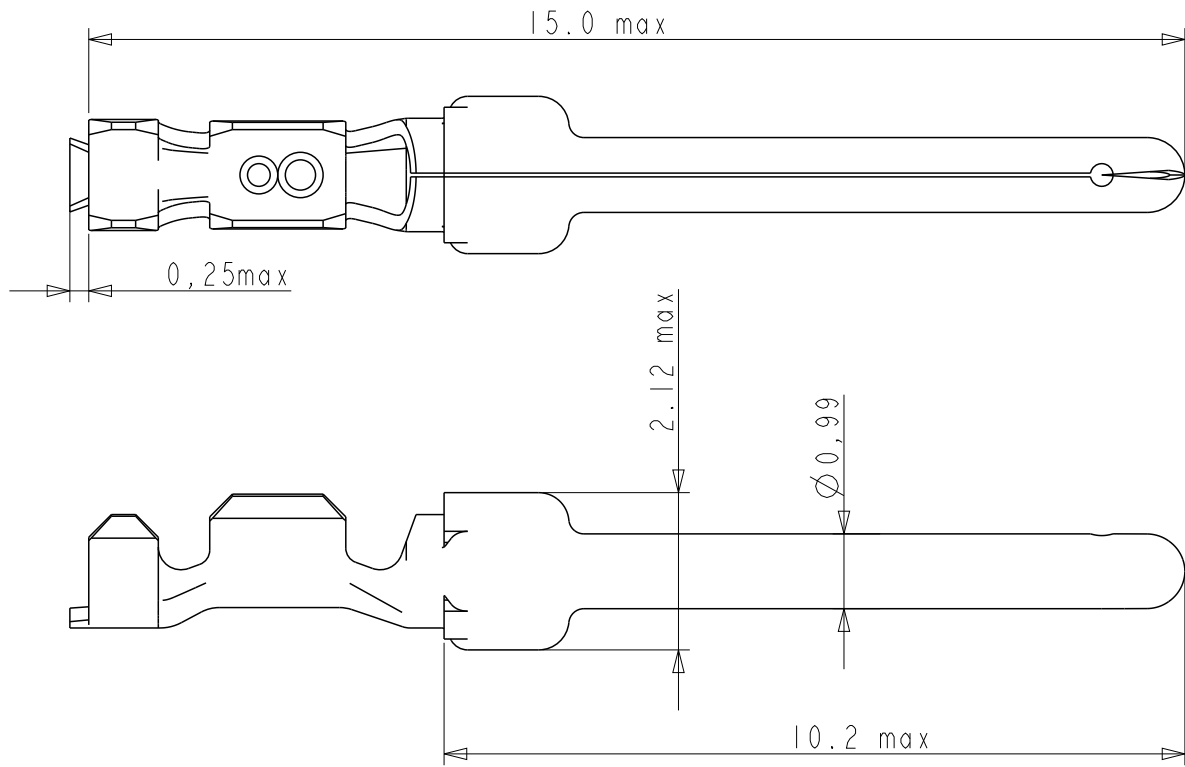
- 1- Material : Phosphor bronze, thickness 0.20
- 2 -Finish on contact area : termination 064:gold flash  
 termination 065:076μ Au / GXT  
 termination 067:0.4μ Au / GXT  
 finish on termination : bright tin over nickel
- 3 -Wire range :20 to 28 AWG(see ref sheet 1/2)
- 4 -Max outer dia of wire insulator:  
 -1.73 mm for contact #20-24  
 -1.02 mm for contact #24-28
- 5 -Current carrying capacity per contact:  
 5 Amps max when crimped to #20 AWG  
 5 Amps max when crimped to #22 AWG  
 3 Amps max when crimped to #24 AWG  
 2 Amps max when crimped to #26 AWG  
 1 Amps max when crimped to #28 AWG
- 6 -After 5 insertions into connector, contact retention must be 5 pounds axial load min
- 7 -When contact is crimped to 20 AWG, the insulation support crimped height must be 1.78 mm max to ensure a proper insertion into housing.
- 8-Reel should be continuous without any contacts missing in between
- 9 -Packaging : Reel

A

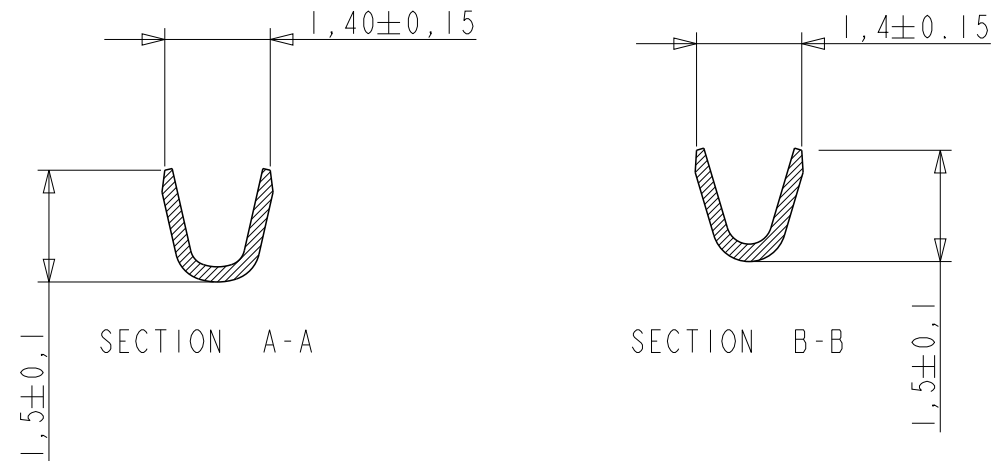
B

A

B



CROSS SECTIONS FOR CT #24-28

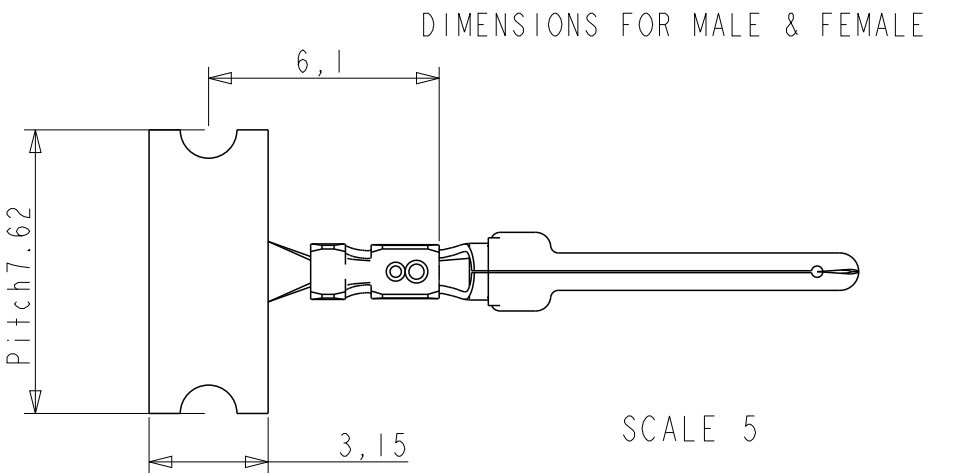


C

C



Copyright FCI.



www.fciconnect.com		surface - ✓ ISO 1302	tolerance std ISO 406 ISO 1101	projection mm
TOLERANCES UNLESS OTHERWISE SPECIFIED				
Dr	CJARRY	11/07/03	ANGULAR	0.X ±0.3
Eng	-	-	LINEAR	0.XX ±0.1
Chr	-	-	0° ±2°	0.XXX ±0.05
Appr	-	-	Product family	8656
FCI		title CRIMP CONTACTS		dwg no C01-8656-1536
catalog no		-		customer
				sheet 2 of 2

D

Rev. K