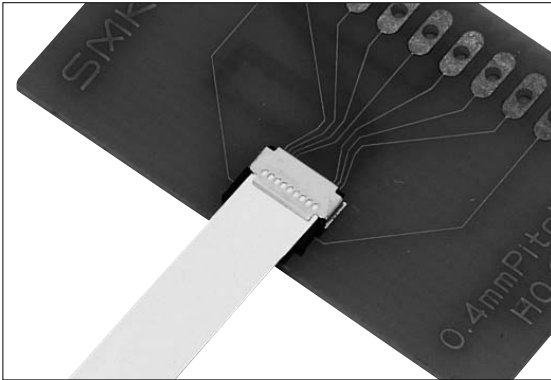


EN-42 Series 0.4mm Pitch (SMT)



■ Features

1. Low and small profile of 0.6mm height and 4.0 mm depth when mounted.
2. The upper surface of the connector is made up of a shield cover. Resulting provision of shielding performance and enhancement of connector strength further stabilize contact reliability. Combined use with a shielded FPC will make counter-noise efforts more effective.
3. One single action completes FPC insertion because the contacts are of an N-ZIF structure.
4. Lower contact design.

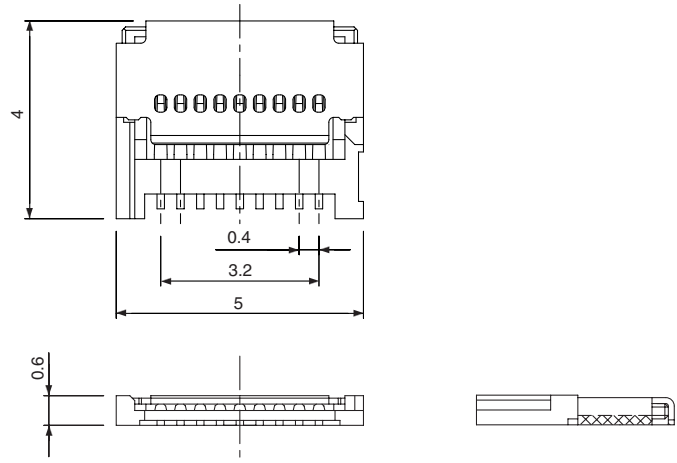
■ Specification

1. Rating : 0.3A, 50V AC/DC
2. Contact Resistance : 30mΩ, max., initially
3. Insulation Resistance : 100MΩ, min. at 100V DC
4. Withstanding Voltage : 100V AC (for one minute)
5. Operating Temperature Range : -40°C to +85°C

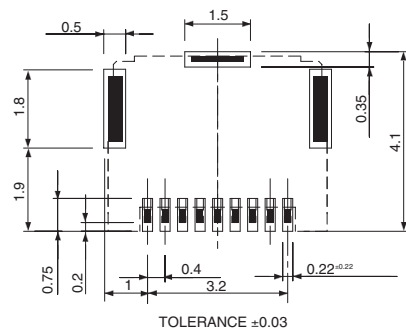
■ Material and Plating

- Cover : Steel Use Stainless (SUS),
- Contact : Cu Alloy, Au Plating
- Insert Mold : Thermoplastic Resin, Black, 94V-0

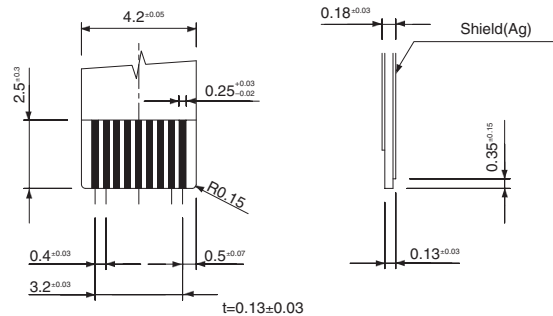
● CFPA109-0150F



■ P.C. Board Dimension



■ Applicable FPC Dimension (t=0.13±0.03)



- FPC plating to recommend : Au plating