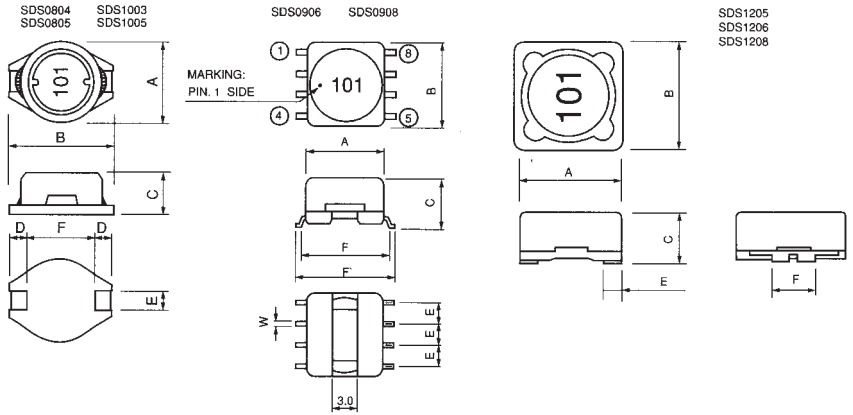


FERRITE CORE SHIELDED POWER CHOKE COIL SDS



IDENTIFICATION (mm)

MARKING

Black, 3 digits and marking dot

TYPE DESIGNATION (HOW TO ORDER)

Old Part No.	SDS	1205	M	TE	2R5		
New Part No.	SDS	1205	L	TE	2R5	M	
	PRODUCT CODE	STYLE	TERMINATION SURFACE MATERIAL	INDUCTANCE TOLERANCE	TAPING*	NOMINAL INDUCTANCE 3 digits (Unit: μH)	INDUCTANCE TOLERANCE
			T: Sn L: Sn/Pb S: Ag		*Please see "PACKAGING"		

FEATURES

- Shielded choke coil for large DC current with low DC resistance
- Small surface area allows high density mounting
- Operating temperature range: $-20^{\circ}\text{C} \dots +80^{\circ}\text{C}$
- Suitable for reflow soldering

DIMENSIONS (mm)

TYPE	A	B	C	D	E	F	F'	W
SDS 0804	8.0 ± 0.2	10.5 ± 0.2	3.7 ± 0.3	2.1 ± 0.2	2.0 ± 0.2	6.0 ± 0.3	—	—
SDS 0805	8.0 ± 0.2	10.5 ± 0.2	4.5 ± 0.3	2.1 ± 0.2	2.0 ± 0.2	6.0 ± 0.3	—	—
SDS 1003	10.3 ± 0.2	12.7 ± 0.2	2.7 ± 0.3	2.4 ± 0.2	2.5 ± 0.2	7.6 ± 0.3	—	—
SDS 1005	10.0 ± 0.2	12.7 ± 0.2	4.9 ± 0.3	2.4 ± 0.2	2.5 ± 0.2	7.6 ± 0.3	—	—
SDS 0906	9.5 ± 0.3	10.5	6.0 ± 0.3	—	2.5 ± 0.3	11.0 ± 0.5	12.7 ± 0.8	0.7 ± 0.1
SDS 0908	9.5 ± 0.3	10.5	7.5 ± 0.3	—	2.5 ± 0.3	11.0 ± 0.5	12.7 ± 0.8	0.7 ± 0.1
SDS 1205	12.7 ± 0.3	12.7 ± 0.3	5.0 ± 0.5	—	2.3 ± 0.2	5.0 ± 0.2	—	—
SDS 1206	12.7 ± 0.3	12.7 ± 0.3	6.0 ± 0.5	—	2.3 ± 0.2	5.0 ± 0.2	—	—
SDS 1208	12.7 ± 0.3	12.7 ± 0.3	8.0 ± 0.5	—	2.3 ± 0.2	5.0 ± 0.2	—	—

Specifications given herein may be changed at any time without prior notice. Please confirm technical specifications before you order and/or use.

RATING

SDS 0804 S

NOMINAL INDUCTANCE AND CODE	INDUCTANCE TOLERANCE	DC RESISTANCE (MAX.)	ALLOWABLE DC CURRENT (MAX.)
5.0 μH 5R0	M ($\pm 20\%$)	0.080 Ω	1.70 A
7.5 μH 7R5		0.100 Ω	1.40 A
10.0 μH 100		0.120 Ω	1.20 A
12.0 μH 120		0.150 Ω	1.10 A
15.0 μH 150		0.170 Ω	1.00 A
18.0 μH 180	Y ($\pm 15\%$)	0.190 Ω	0.90 A
22.0 μH 220		0.250 Ω	0.80 A
27.0 μH 270		0.270 Ω	0.70 A
33.0 μH 330		0.300 Ω	0.65 A
39.0 μH 390		0.380 Ω	0.60 A
47.0 μH 470	K ($\pm 10\%$)	0.460 Ω	0.55 A
56.0 μH 560		0.600 Ω	0.50 A
68.0 μH 680		0.700 Ω	0.45 A
82.0 μH 820		0.800 Ω	0.40 A

SDS 0805 S

NOMINAL INDUCTANCE AND CODE	INDUCTANCE TOLERANCE	DC RESISTANCE (MAX.)	ALLOWABLE DC CURRENT (MAX.)
2.2 μH 2R2	M ($\pm 20\%$)	0.04 Ω	2.50 A
3.9 μH 3R9		0.055 Ω	2.10 A
5.6 μH 5R6		0.065 Ω	1.95 A
8.2 μH 8R2		0.08 Ω	1.75 A
10.0 μH 100		0.10 Ω	1.50 A
12.0 μH 120	Y ($\pm 15\%$)	0.12 Ω	1.40 A
15.0 μH 150		0.14 Ω	1.30 A
18.0 μH 180		0.16 Ω	1.20 A
22.0 μH 220		0.18 Ω	1.10 A
27.0 μH 270		0.20 Ω	1.00 A
33.0 μH 330	K ($\pm 10\%$)	0.24 Ω	0.92 A
39.0 μH 390		0.26 Ω	0.84 A
47.0 μH 470		0.28 Ω	0.75 A
56.0 μH 560		0.38 Ω	0.68 A
68.0 μH 680		0.44 Ω	0.60 A
82.0 μH 820	K ($\pm 10\%$)	0.55 Ω	0.54 A
100 μH 101		0.60 Ω	0.50 A
120 μH 121		0.75 Ω	0.45 A

FERRITE CORE SHIELDED POWER CHOKE COIL SDS

SDS 1003 S

NOMINAL INDUCTANCE AND CODE	INDUCTANCE TOLERANCE	DC RESISTANCE (MAX.)	ALLOWABLE DC CURRENT (MAX.)
2.2 µH 2R2	M (± 20%)	0.045 Ω	2.76 A
4.7 µH 4R7		0.078 Ω	1.90 A
7.5 µH 7R5		0.10 Ω	1.44 A
10.0 µH 100		0.145 Ω	1.24 A
15.0 µH 150		0.20 Ω	1.02 A
22.0 µH 220		0.30 Ω	0.80 A
33.0 µH 330		0.45 Ω	0.70 A
47.0 µH 470		0.65 Ω	0.60 A
68.0 µH 680		0.80 Ω	0.48 A
100 µH 101		1.40 Ω	0.40 A
150 µH 151		1.80 Ω	0.32 A
220 µH 221		2.20 Ω	0.26 A

SDS 1005 S

NOMINAL INDUCTANCE AND CODE	INDUCTANCE TOLERANCE	DC RESISTANCE (MAX.)	ALLOWABLE DC CURRENT (MAX.)	
2.2 µH 2R2	M (± 20%)	0.027 Ω	3.10 A	
3.0 µH 3R0		0.03 Ω	2.90 A	
4.7 µH 4R7		0.04 Ω	2.50 A	
7.0 µH 7R0		0.055 Ω	2.20 A	
10 µH 100		0.065 Ω	2.00 A	
12 µH 120		0.08 Ω	1.80 A	
15 µH 150		0.085 Ω	1.70 A	
18 µH 180		0.09 Ω	1.60 A	
22 µH 220		0.10 Ω	1.40 A	
27 µH 270		0.12 Ω	1.30 A	
33 µH 330		Y (± 15%)	0.16 Ω	1.20 A
39 µH 390			0.18 Ω	1.05 A
47 µH 470			0.19 Ω	1.00 A
56 µH 560			0.21 Ω	0.90 A
68 µH 680	0.34 Ω		0.82 A	
82 µH 820	0.38 Ω		0.75 A	
100 µH 101	0.42 Ω		0.68 A	
120 µH 121	0.46 Ω		0.60 A	
150 µH 151	0.52 Ω		0.55 A	
180 µH 181	K (± 10%)		0.70 Ω	0.50 A
220 µH 221		0.80 Ω	0.45 A	
270 µH 271		1.10 Ω	0.40 A	
330 µH 331		1.20 Ω	0.35 A	
390 µH 391	1.40 Ω	0.33 A		

SDS 0908 T

NOMINAL INDUCTANCE AND CODE	INDUCTANCE TOLERANCE	DC RESISTANCE (MAX.)	ALLOWABLE DC CURRENT (MAX.)
10 µH 100	M (± 20%)	0.04 Ω	3.00 A
12 µH 120		0.05 Ω	2.50 A
15 µH 150		0.065 Ω	2.20 A
18 µH 180		0.075 Ω	2.00 A
22 µH 220		0.08 Ω	1.90 A
27 µH 270		0.09 Ω	1.80 A
33 µH 330		0.10 Ω	1.70 A
39 µH 390		0.135 Ω	1.50 A
47 µH 470		0.15 Ω	1.40 A
56 µH 560		0.165 Ω	1.35 A
68 µH 680		0.184 Ω	1.25 A
82 µH 820		0.26 Ω	1.05 A
100 µH 101		0.28 Ω	1.00 A
120 µH 121		0.34 Ω	0.90 A
150 µH 151	0.45 Ω	0.80 A	
180 µH 181	0.50 Ω	0.70 A	
220 µH 221	0.60 Ω	0.65 A	
270 µH 271	0.70 Ω	0.60 A	
330 µH 331	0.80 Ω	0.55 A	
390 µH 391	1.00 Ω	0.50 A	
470 µH 471	1.15 Ω	0.45 A	
560 µH 561	Y (± 15%)	1.50 Ω	0.38 A
680 µH 681		1.70 Ω	0.35 A
820 µH 821		2.20 Ω	0.32 A
1000 µH 102		2.50 Ω	0.30 A
1500 µH 152		4.00 Ω	0.25 A
2200 µH 222		5.00 Ω	0.20 A
3300 µH 332		8.00 Ω	0.15 A
4700 µH 472		12.0 Ω	0.12 A
6800 µH 682		16.5 Ω	0.10 A
10000 µH 103		26.0 Ω	0.095 A
15000 µH 153	40.0 Ω	0.075 A	

SDS 0906 T

NOMINAL INDUCTANCE AND CODE	INDUCTANCE TOLERANCE	DC RESISTANCE (MAX.)	ALLOWABLE DC CURRENT (MAX.)
10.0 µH 100	M (± 20%)	0.080 Ω	1.80 A
15.0 µH 150		0.100 Ω	1.60 A
22.0 µH 220		0.130 Ω	1.40 A
33.0 µH 330		0.150 Ω	1.20 A
47.0 µH 470		0.180 Ω	1.00 A
68.0 µH 680		0.350 Ω	0.85 A
100 µH 101		0.420 Ω	0.70 A
150 µH 151		0.550 Ω	0.60 A
220 µH 221		1.00 Ω	0.48 A
330 µH 331		1.30 Ω	0.40 A
470 µH 471	1.60 Ω	0.35 A	
680 µH 681	Y (± 15%)	3.20 Ω	0.25 A
1000 µH 102		4.00 Ω	0.22 A
1500 µH 152		5.20 Ω	0.18 A
2200 µH 222		8.50 Ω	0.16 A
3300 µH 332		11.0 Ω	0.12 A
4700 µH 472		19.0 Ω	0.10 A
6800 µH 682		24.0 Ω	0.09 A
10000 µH 103		38.0 Ω	0.07 A

Specifications given herein may be changed at any time without prior notice. Please confirm technical specifications before you order and/or use.

FERRITE CORE SHIELDED POWER CHOKE COIL SDS

SDS 1205 S

NOMINAL INDUCTANCE AND CODE	INDUCTANCE TOLERANCE	DC RESISTANCE (Max.)	ALLOWABLE DC CURRENT (Max.)
2.5 µH 2R5	M (± 20%)	24 mΩ	5.0 A
5.0 µH 5R0		35 mΩ	4.0 A
10 µH 100		54 mΩ	3.0 A
25 µH 250		120 mΩ	2.0 A
50 µH 500	Y (± 15%)	200 mΩ	1.5 A
75 µH 750		330 mΩ	1.2 A
100 µH 101	K (± 10%)	400 mΩ	1.0 A

SDS 1208 S

NOMINAL INDUCTANCE AND CODE	INDUCTANCE TOLERANCE	DC RESISTANCE (Max.)	ALLOWABLE DC CURRENT (Max.)
2.5 µH 2R5	M (± 20%)	11.4 mΩ	7.50 A
4.5 µH 4R5		14.0 mΩ	6.50 A
6.5 µH 6R5		18.0 mΩ	6.00 A
10.0 µH 100		21.0 mΩ	5.00 A
12.0 µH 120		25.0 mΩ	4.80 A
15.0 µH 150		36.0 mΩ	4.00 A
18.0 µH 180		40.0 mΩ	3.80 A
22.0 µH 220		43.0 mΩ	3.50 A
27.0 µH 270		48.0 mΩ	3.00 A
33.0 µH 330		62.0 mΩ	2.80 A
39.0 µH 390	Y (± 15%)	76.0 mΩ	2.50 A
47.0 µH 470		85.0 mΩ	2.20 A
56.0 µH 560		110 mΩ	2.00 A
68.0 µH 680		135 mΩ	1.80 A
82.0 µH 820		150 mΩ	1.60 A
100 µH 101		170 mΩ	1.50 A
150 µH 151		—	—
220 µH 221		380 mΩ	1.10 A
330 µH 331		650 mΩ	0.85 A
470 µH 471		850 mΩ	0.70 A
680 µH 681	K (± 10%)	—	—
1000 µH 102		1650 mΩ	0.50 A

SDS 1206 S

NOMINAL INDUCTANCE AND CODE	INDUCTANCE TOLERANCE	DC RESISTANCE (Max.)	ALLOWABLE DC CURRENT (Max.)	
2.5 µH 2R5	M (± 20%)	16 mΩ	6.20 A	
5.0 µH 5R0		22 mΩ	4.70 A	
7.5 µH 7R5		25 mΩ	3.80 A	
10.0 µH 100		35 mΩ	3.30 A	
12.0 µH 120		38 mΩ	3.00 A	
15.0 µH 150		42 mΩ	2.80 A	
18.0 µH 180		50 mΩ	2.50 A	
22.0 µH 220		62 mΩ	2.30 A	
27.0 µH 270		Y (± 15%)	68 mΩ	2.00 A
33.0 µH 330			90 mΩ	1.90 A
39.0 µH 390	100 mΩ		1.75 A	
47.0 µH 470	130 mΩ		1.60 A	
56.0 µH 560	155 mΩ		1.45 A	
68.0 µH 680	170 mΩ		1.30 A	
82.0 µH 820	185 mΩ		1.20 A	
100 µH 101	220 mΩ		1.10 A	
120 µH 121	260 mΩ		1.00 A	
150 µH 151	320 mΩ		0.90 A	
180 µH 181	K (± 10%)	330 mΩ	0.80 A	
220 µH 221		460 mΩ	0.70 A	
270 µH 271		520 mΩ	0.65 A	
330 µH 331		660 mΩ	0.60 A	
390 µH 391		870 mΩ	0.55 A	
470 µH 471		970 mΩ	0.50 A	
560 µH 561		1320 mΩ	0.45 A	
680 µH 681		1500 mΩ	0.40 A	
820 µH 821		1700 mΩ	0.35 A	

Specifications given herein may be changed at any time without prior notice. Please confirm technical specifications before you order and/or use.