



Dear customers,

About the change in the name such as "Oki Electric Industry Co. Ltd." and "OKI" in documents to OKI Semiconductor Co., Ltd.

The semiconductor business of Oki Electric Industry Co., Ltd. was succeeded to OKI Semiconductor Co., Ltd. on October 1, 2008. Therefore, please accept that although the terms and marks of "Oki Electric Industry Co., Ltd.", "Oki Electric", and "OKI" remain in the documents, they all have been changed to "OKI Semiconductor Co., Ltd.". It is a change of the company name, the company trademark, and the logo, etc. , and NOT a content change in documents.

October 1, 2008
OKI Semiconductor Co., Ltd.

OKI SEMICONDUCTOR CO., LTD.

550-1 Higashiasakawa-cho, Hachioji-shi, Tokyo 193-8550, Japan
<http://www.okisemi.com/en/>

Optical Components

OF3647R

Preliminary

10Gbps APD with High Gain TIA receiver optical sub-assembly (ROSA)

1. DESCRIPTION

OF3647R is a high sensitivity APD-TIA receiver optical sub-assembly (ROSA). It includes a high speed InGaAs avalanche photodiode with a high gain TIA in a hermetically sealed coaxial package. It incorporates LC/SC receptacle and a flexible printed circuit (FPC). The signal GND and a receptacle are electrically isolated in this ROSA.

2. FEATURES

Power supply (TIA): 3.3V
High sensitivity: -27.5dBm Typ.
Differential transimpedance: 12k Ω Typ.
Low power consumption: 0.1W Typ.
Electrical isolation between signal GND and a receptacle
Adjustable DC offset (Eye cross-point control)
PKG outline compatible with XMD-MSA



3. APPLICATION

SONET /SDH
GbE

4. ABSOLUTE MAXIMUM RATING

(Tc = +25 °C, unless otherwise specified)

Parameter	Symbol	Rating	Unit
APD Supply Voltage	VB	0 to VBR	V
TIA Supply Voltage	Vcc	0 to +3.7	V
DC Offset Adjustment Voltage	Vth	Vcc-1.0 to Vcc+0.5*1)	V
Vth Current	Ith	-1 to 1	mA
APD Reverse Current (cw)	IR	2	mA
Input Optical Power	Pin	+0	dBm
Operating Case Temperature	Tc	-5 to 85	°C
Storage Temperature	Tstg	-40 to 85	°C
Soldering Temperature	--	260 (10s)	°C

*1) at all times including power up/down.

OF3647R**5. OPTICAL AND ELECTRICAL CHARACTERISTICS**

(Wavelength=1550nm, Tc =25°C, VCC=+3.3V, unless otherwise specified)

Parameter	Symbol	Test Conditions	Min.	Typ.	Max.	Unit
Wavelength	λ	-	1250	--	1600	nm
APD Breakdown Voltage	VBR	ID=10 μ A	22	29	36	V
Temperature Coefficient of VBR	γ	-	0.03	0.05	0.07	V/°C
APD Responsivity	RAPD	$\lambda=1.55\mu\text{m}$	0.7	0.8	--	A/W
		$\lambda=1.31\mu\text{m}$	0.7	0.8	--	
Dark Current	ID	VB=0.9xVBR	--	--	200	nA
Transimpedance	Zt	Pin= -27dBm Differential	10	12	--	k Ω
Bandwidth	BW	f-3dB, RL=50 Ω M=9	6.0	8.0	--	GHz
Group Delay Deviation	GD	130MHz to 7.5GHz	--	± 40	--	ps
Low Frequency Cutoff	f _{LOW}	f-3dB from 130MHz	--	45	--	kHz
Sensitivity	Prmin	9.95328Gbps, NRZ, BER=10 ⁻¹² , PRBS2 ³¹ -1, Rext.=12dB, M=Mopt.	--	-27.5	-26.5	dBm
Overload	Prmax	9.95328Gbps, NRZ, BER=10 ⁻¹² , PRBS2 ³¹ -1 M=Mopt.	-6	-3	--	dBm
Maximum Output Swing	Vout	Differential	--	450	650	mV
Supply Current	Icc	-	--	32	--	mA
Recommended TIA Supply Voltage	Vcc	-	+3.1	+3.3	+3.5	V
Output Return Loss	ERL	130MHz to 7.5GHz Differential S22	--	--	-8	dB
Optical Return Loss	ORL	-	--	--	-27	dB
Thermistor Resistance	Rth	Tthermistor=25°C	9.5	10	10.5	k Ω
Thermistor B Constant	B	Tc=+25 to +50°C	3800	3900	4000	K

6. CONNECTOR AND FIBER SPECIFICATIONS**OF3647R-LC-x (LC receptacle)**

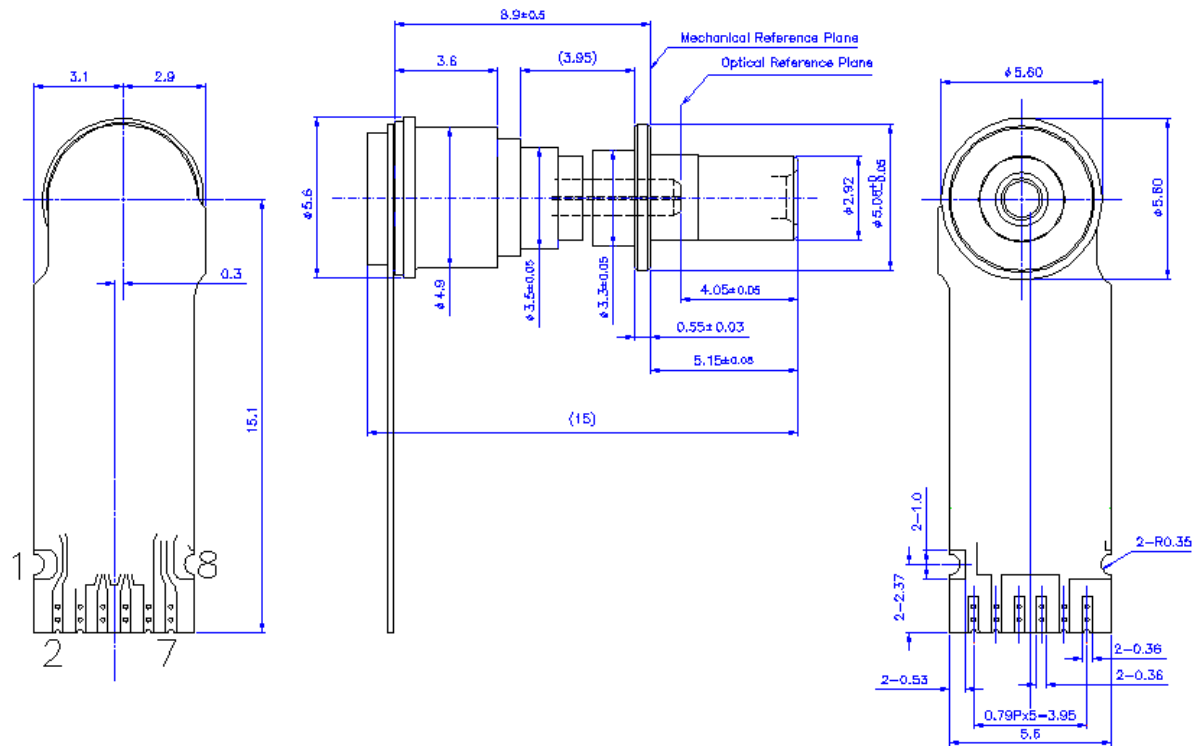
Parameter	Specifications	Unit
Applicable Optical Fiber	C-SMF	--
Core Diameter	9.5	μm
Cladding Diameter	125	μm
Ferrule Diameter	1.25	mm

OF3647R-SC-x (SC receptacle)

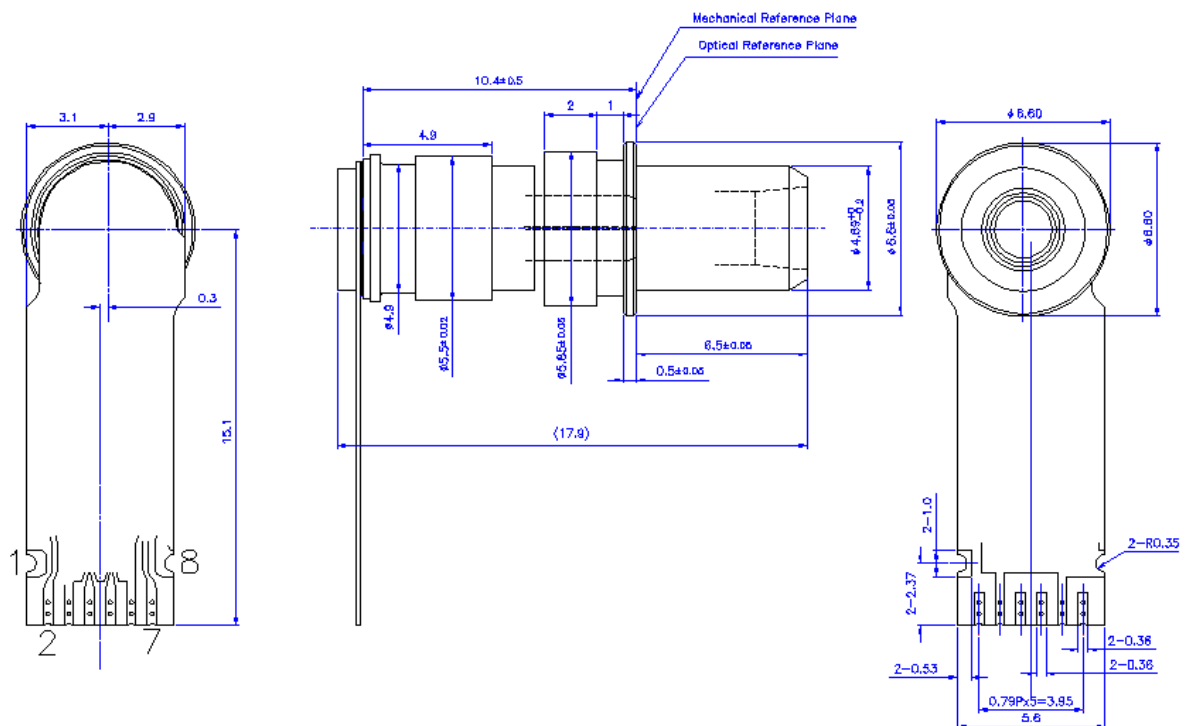
Parameter	Specifications	Unit
Applicable Optical Fiber	C-SMF	--
Core Diameter	9.5	μm
Cladding Diameter	125	μm
Ferrule Diameter	2.5	mm

OF3647R

7. OUTLINE DRAWING All dimensions in millimeters(Unit: mm)
OF3647R-LC-x (LC receptacle)

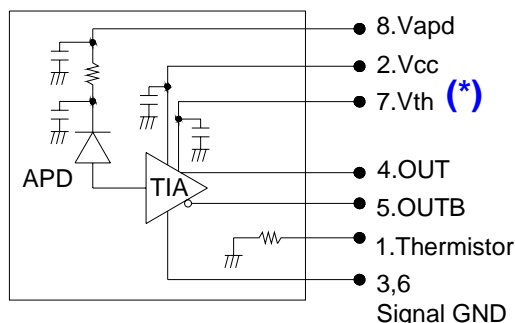


OF3647R-SC-x (SC receptacle)

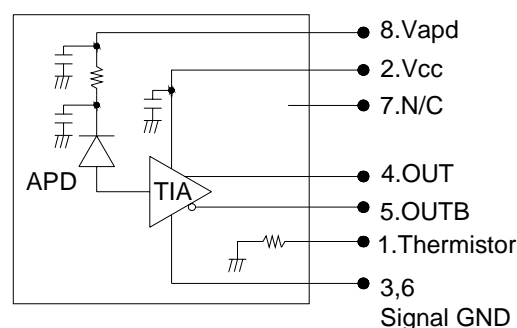


8. BLOCK DIAGRAM

OF3647R-xx-B



OF3647R-xx-C (Compliant with XMD, w/o Vth)



Note (*)

When using without DC offset control, Vth terminal should be **NO CONNECTION**. And also, please make sure Vth voltage NOT to go to GND level during power-on or power-off transitions and after power on.

9. ORDERING INFORMATION

OF3647R - _ _ - _

Receptacle Type

LC : LC

SC : SC

Assignment of Vth terminal

#7 : B

Not assigned : C

SAFETY AND HANDLING INFORMATION ON THIS PRODUCT

<p>Caution GaAs Product</p>	<p>The product contains gallium arsenide, GaAs. GaAs vapor and powder are hazardous to human health if inhaled, ingested or swallowed. Do not destroy or burn the product. Do not crush or chemically dissolve the product. Do not put the product in the mouth. Observe related laws and company regulations when discarding this product. The product should be excluded from general industrial waste or household garbage.</p>
<p>Caution Optical Fiber</p>	<p>A glass-fiber is attached on the product. Handle with care. When the fiber is broken or damaged, handle carefully to avoid injury from the damaged part or fragments.</p>
<p>Attention ESD sensitive</p>	<p>Appropriate precautions must be taken to avoid exposure to ESD and EOS during handling the product.</p>

Notice

1. The information contained herein can change without notice owing to product and/or technical improvements. Before using the product, please make sure that the information being referred to is up-to-date.
2. The outline of action and examples for application circuits described herein have been chosen as an explanation for the standard action and performance of the product. When planning to use the product, please ensure that the external conditions are reflected in the actual circuit, assembly, and program designs.
3. When designing your product, please use our product below the specified maximum ratings and within the specified operating ranges including, but not limited to, operating voltage, power dissipation, and operating temperature.
4. OKI SEMICONDUCTOR assumes no responsibility or liability whatsoever for any failure or unusual or unexpected operation resulting from misuse, neglect, improper installation, repair, alteration or accident, improper handling, or unusual physical or electrical stress including, but not limited to, exposure to parameters beyond the specified maximum ratings or operation outside the specified operating range.
5. Neither indemnity against nor license of a third party's industrial and intellectual property right, etc. is granted by us in connection with the use of the product and/or the information and drawings contained herein. No responsibility is assumed by us for any infringement of a third party's right which may result from the use thereof.
6. The products listed in this document are intended for use in general electronics equipment for commercial applications (e.g., office automation, communication equipment, measurement equipment, consumer electronics, etc.). These products are not authorized for use in any system or application that requires special or enhanced quality and reliability characteristics nor in any system or application where the failure of such system or application may result in the loss or damage of property, or death or injury to humans. Such applications include, but are not limited to, traffic and automotive equipment, safety devices, aerospace equipment, nuclear power control, medical equipment, and life-support systems.
7. Certain products in this document may need government approval before they can be exported to particular countries. The purchaser assumes the responsibility of determining the legality of export of these products and will take appropriate and necessary steps at their own expense for these.
8. No part of the contents contained herein may be reprinted or reproduced without our prior permission.

Copyright 2009 OKI SEMICONDUCTOR CO., LTD.