

80 mm sq.

San Ace 80

15mm thick (GA type), **15mm thick**, 20mm thick (GA type)
 20mm thick, 25mm thick (GA type), 25mm thick (S type)
 25mm thick (GV type), 25mm thick
 25mm thick (San Cooler), 32mm thick (GA type)
 32mm thick, 38mm thick (HV type), 38mm thick (GA type)
 38mm thick (GV type), 38mm thick (G type)



General Specifications

- Material Frame: Plastics (Flammability: UL94V-0),
Impeller: Plastics (Flammability: UL94V-1)
- Expected Life Refer to specifications (L10:Survival rate:90% at 60°C ,
rated voltage, and continuously run in a free air state)
- Lead Wire ⊕red ⊖black or blue (Sensor) yellow
- Storage Temperature -30°C to +70°C (Non-condensing)

80×80×15 mm (Mass : 68g)

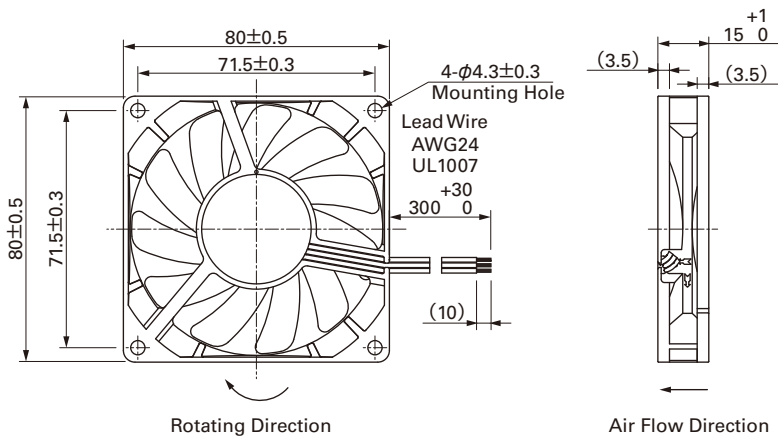
Specifications

The following nos. **have pulse sensors and ribs.**

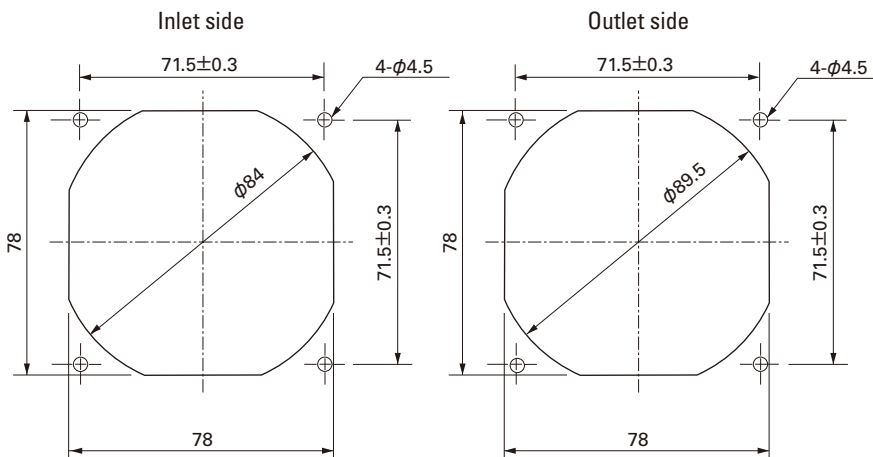
Model No.	Rated Voltage [V]	Operating Voltage Range [V]	Rated Current [A]	Rated Input [W]	Rated Speed [min ⁻¹]	Max. Air Flow [m ³ /min] [CFM]	Max. Static Pressure [Pa] [inchH ₂ O]	SPL [dB(A)]	Operating Temperature [°C]	Expected Life [h]
109P0812H701	12	7 to 13.8	0.2	2.4	3,100	0.91 32.1	29.4 0.118	31	-20 to +70	40,000
109P0812M701			0.09	1.08	2,000	0.57 20.1	12.6 0.051	21		60,000
109P0824H701	24	14 to 27.6	0.1	2.4	3,100	0.91 32.1	29.4 0.118	31		40,000
109P0824M701			0.05	1.2	2,000	0.57 20.1	12.6 0.051	21		60,000

- Available options: ⇒ **Without Sensor**
- Please inquire as the availability of these functions depend on the model. ⇒ **Lock Sensor**

Dimensions (Unit : mm)



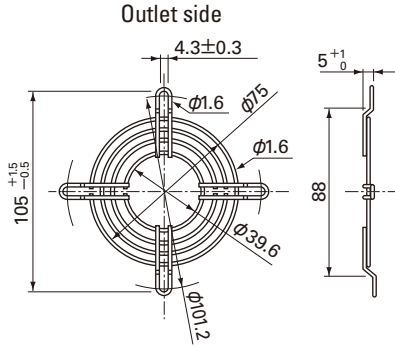
Reference dimension of mounting holes and vent opening (Unit : mm)



Options (Unit : mm)

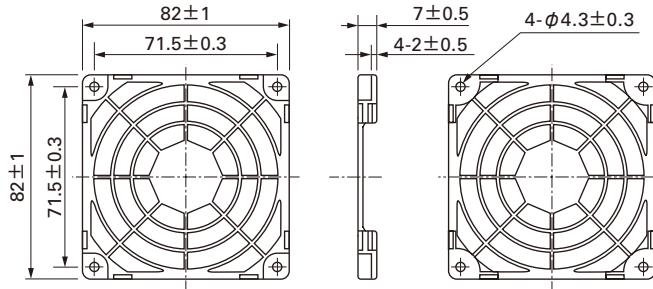
Finger guards

Model : 109-049C Color : Nickel-chrome plating (silver)
Surface treatment : Nickel-chrome plating (silver)

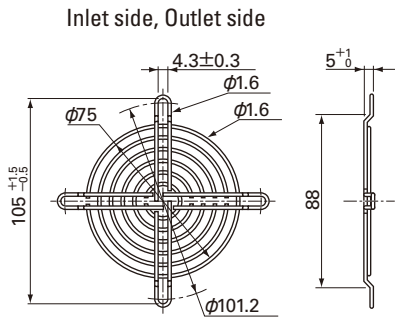


Resin finger guards

Model : 109-1002G

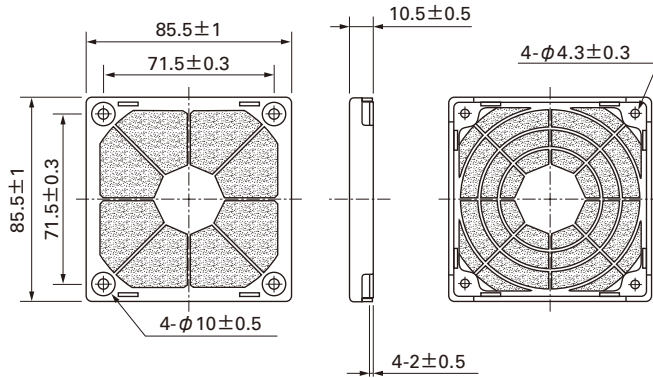


Model : 109-049E Color : Nickel-chrome plating (silver)
Surface treatment : Nickel-chrome plating (silver)
: 109-049H : Cation electropainting (black)

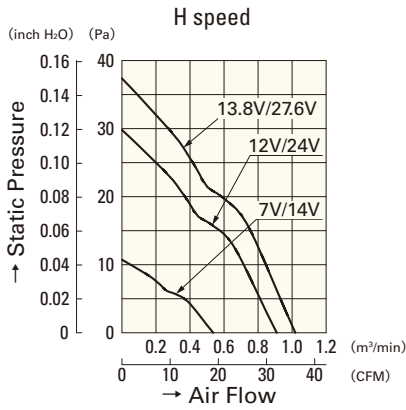


Resin filter kits

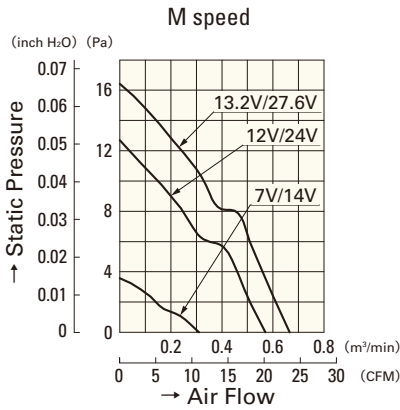
Model : 109-1002F13 (13PPI), 109-1002F20 (20PPI)
: 109-1002F30 (30PPI), 109-1002F40 (40PPI)



Air Flow - Static Pressure Characteristics



109P0812H701
109P0824H701



109P0812M701
109P0824M701