



TAI-SAW TECHNOLOGY CO., LTD.

No. 3, Industrial 2nd Rd., Ping-Chen Industrial District,
Taoyuan, 324, Taiwan, R.O.C.

TEL: 886-3-4690038 FAX: 886-3-4697532

E-mail: tstsales@mail.taisaw.com Web: www.taisaw.com

Product Specifications Approval Sheet

Product Name: SAW Duplexer 836.5/881.5MHz SMD 2.5×2.0 mm

TST Parts No.: TF0067A

Customer Part No.: _____

Customer signature required
Company: _____
Division: _____
Approved by : _____
Date: _____

Checked by: _____ Andy Yu *Andy*

Approved by: _____ Bob Chau

Date: _____ 2013, 07, 27

1. Customer signed back is required before TST can proceed with sample build and receive orders.
2. Orders received without customer signed back will be regarded as agreement on the specifications.
3. Any specifications changes must be approved upon by both parties and a new revision of specifications shall be released to reflect the changes



TAI-SAW TECHNOLOGY CO., LTD.

No. 3, Industrial 2nd Rd., Ping-Chen Industrial District,
Taoyuan, 324, Taiwan, R.O.C.

TEL: 886-3-4690038 FAX: 886-3-4697532

E-mail: tstsales@mail.taisaw.com Web: www.taisaw.com

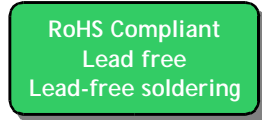
SAW Duplexer 836.5/881.5MHz SMD 2.5x2.0 mm

MODEL NO.:TF0067A

REV. No.: 1

A. MAXIMUM RATING:

1. Input Power Level: 1.2W
2. DC Voltage : 5V
3. Operating Temperature: -30°C to +85°C
4. Storage Temperature: -40°C to +85°C

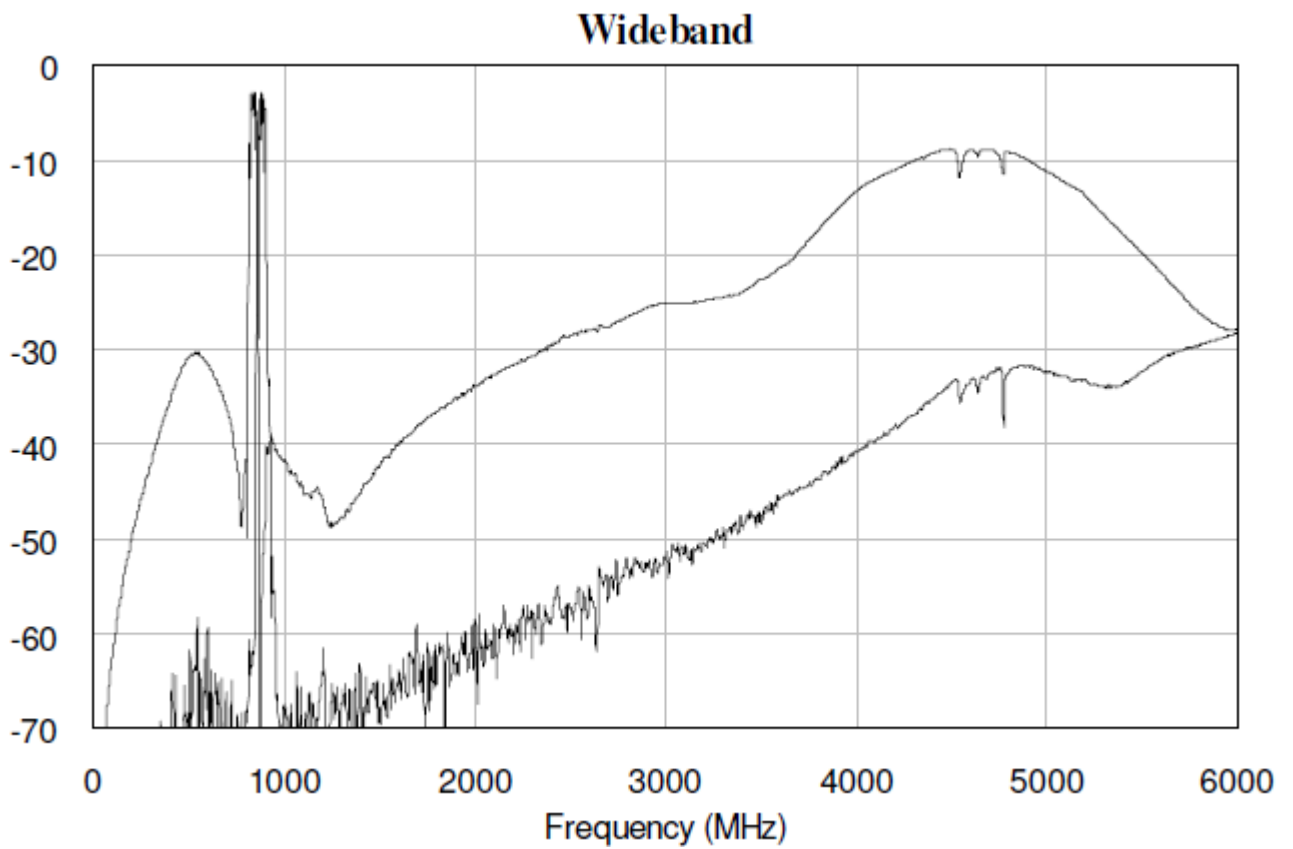
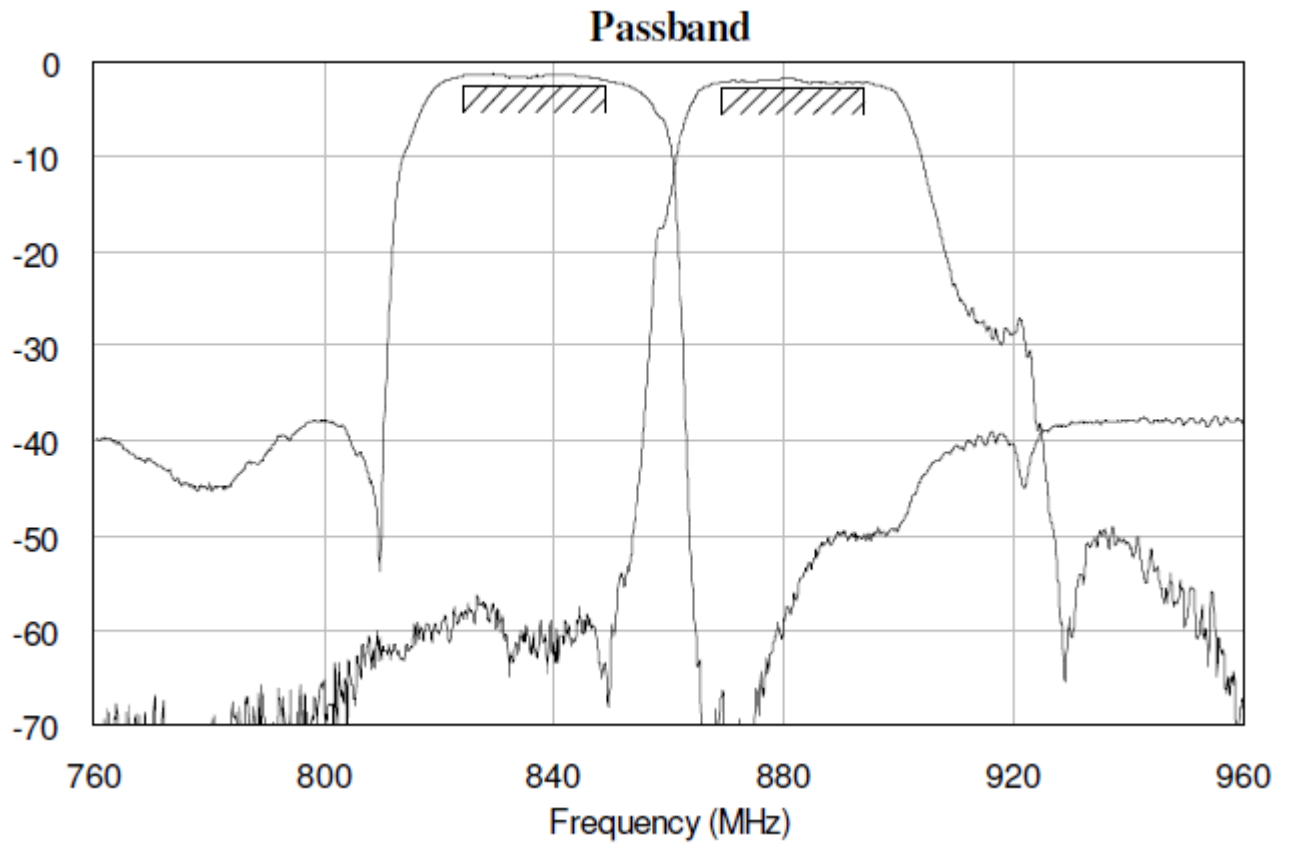


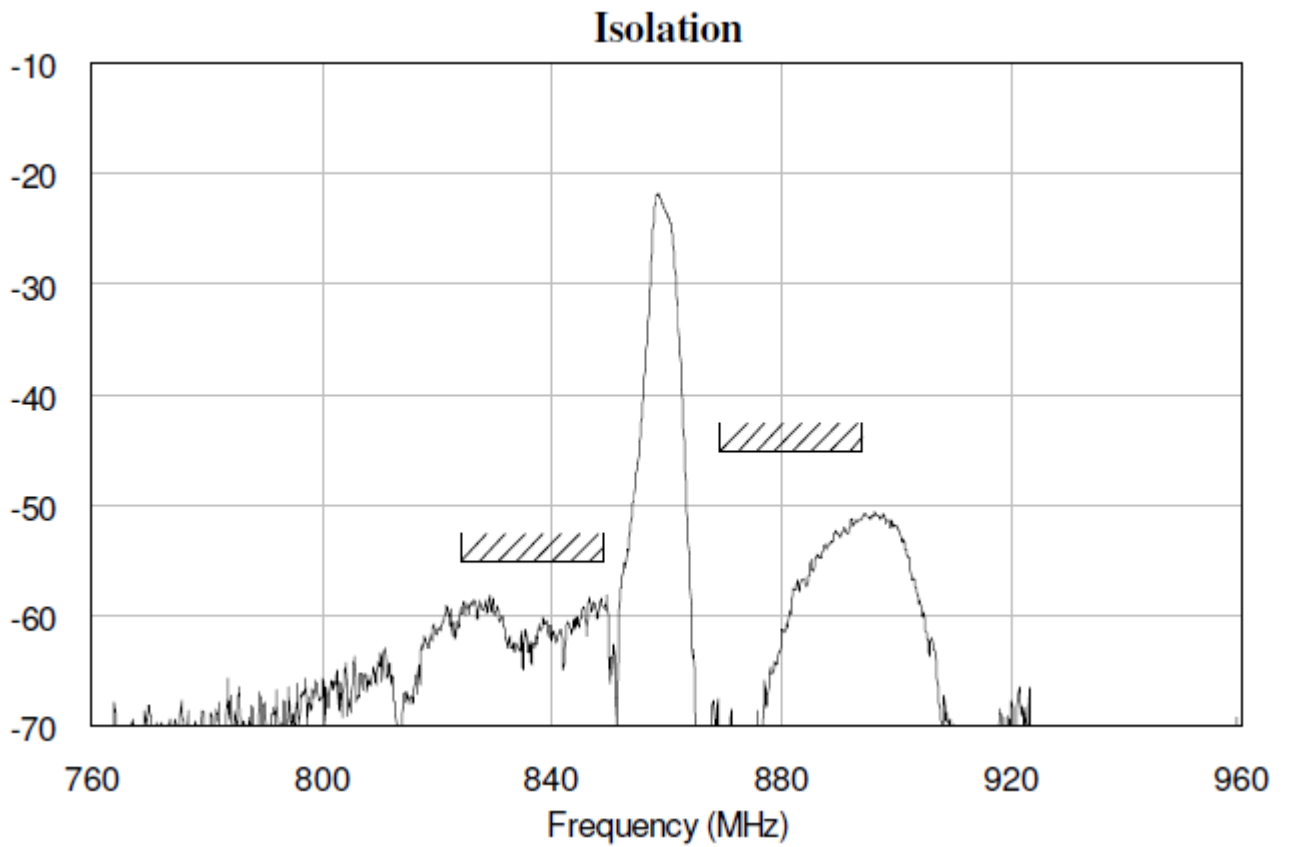
Electrostatic Sensitive Device (ESD)

B. ELECTRICAL CHARACTERISTICS:

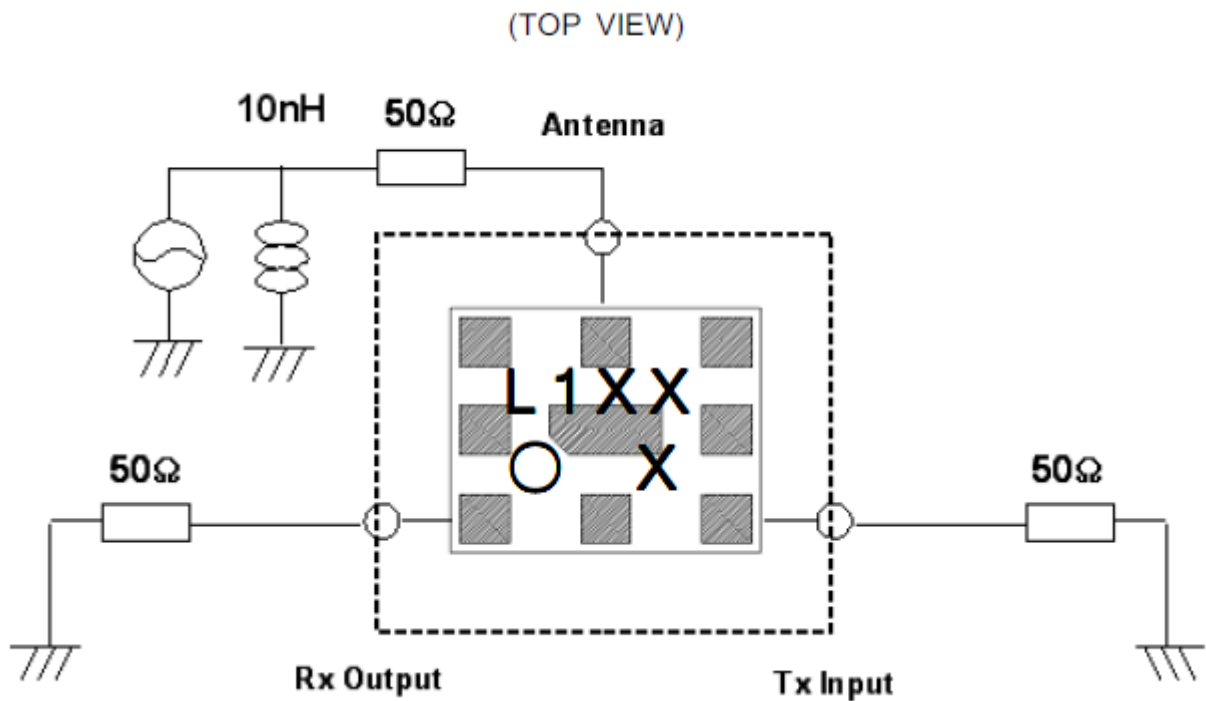
Item	CONDITION [MHz]	UNIT	RATING		
			Min.	Typ.(25°C)	Max.
TX ANTENNA					
Insertion Loss	824 ~ 849	dB	-	1.9	2.5
Inband Ripple	824 ~ 849	dB	-	0.6	1.0
VSWR	824 ~ 849	-	-	1.9	2.2
Absolute Attenuation	779 ~ 804	dB	30	38	-
	869 ~ 894	dB	43	48	-
	1572 ~ 1579	dB	35	42	-
	2472 ~ 2547	dB	21	28	-
Termination Impedance : INPUT / ANTENNA			50Ω / 50Ω (// 10[nH])		
ANTENNA RX					
Insertion Loss	869 ~ 894	dB	-	2.3	2.7
Inband Ripple	869 ~ 894	dB	-	0.8	1.5
VSWR	869 ~ 894	-	-	2.0	2.2
Absolute Attenuation	779 ~ 804	dB	50	60	-
	824 ~ 849	dB	52	60	-
Termination Impedance : ANT / OUTPUT			50Ω (// 10[nH]) / 50Ω		
TX → RX					
Isolation between Rx and Tx	824 ~ 849	dB	55	60	-
	869 ~ 894	dB	45	52	-

C. Frequency Characteristics :

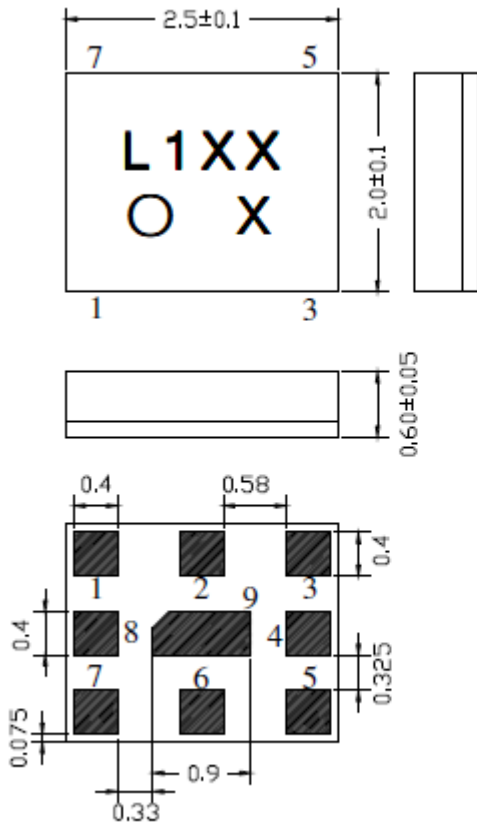




D. MEASUREMENT CIRCUIT:

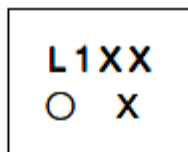


E.OUTLINE DRAWING:



[Unit: mm]

PIN No.	FUNCTION
6	Antenna
1	Rx(881.50MHz)
3	Tx(836.50MHz)
2,4,5,7,8,9	GND



L 1 X X X

- The 1st, 2nd character 'L1' indicates the model name of SAW Filter SFX836AD302.
- The 3rd character 'X' indicates the year and the month of manufacture.

Year	Month											
	1	2	3	4	5	6	7	8	9	10	11	12
2007	P	Q	R	S	T	U	V	W	X	Y	Z	a
2008	1	2	3	4	5	6	7	8	9	A	B	C
2009	D	E	F	G	H	I	J	K	L	M	N	O
2010	P	Q	R	S	T	U	V	W	X	Y	Z	a

※ This rotates by the 3 years.

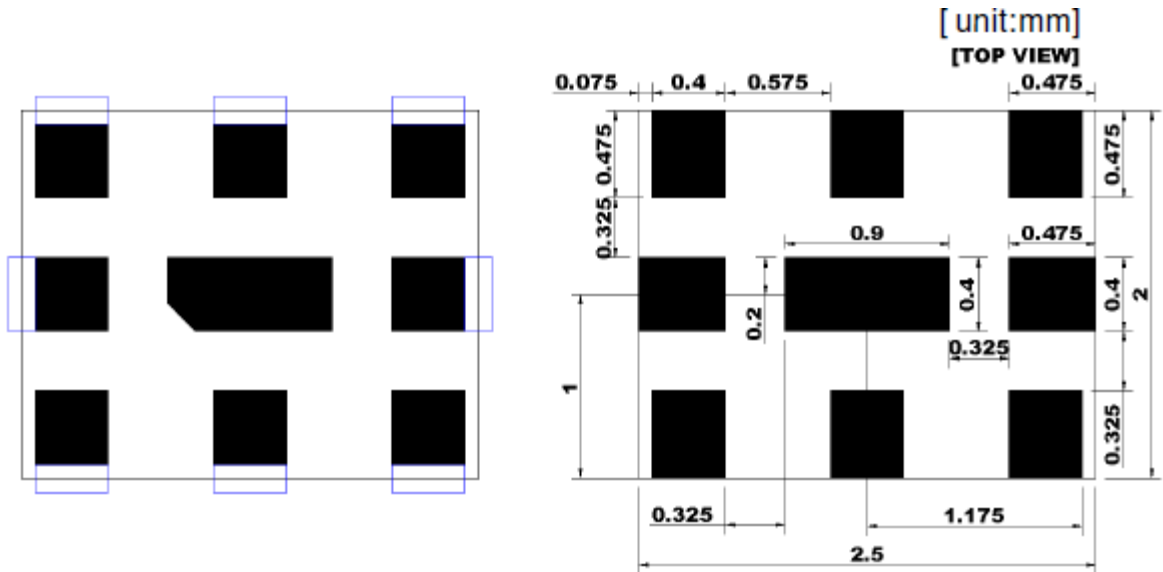
- The 4th, 5th character 'X' indicates Lot No.



- This symbol indicates input pin 1.
- This indicates the producing center

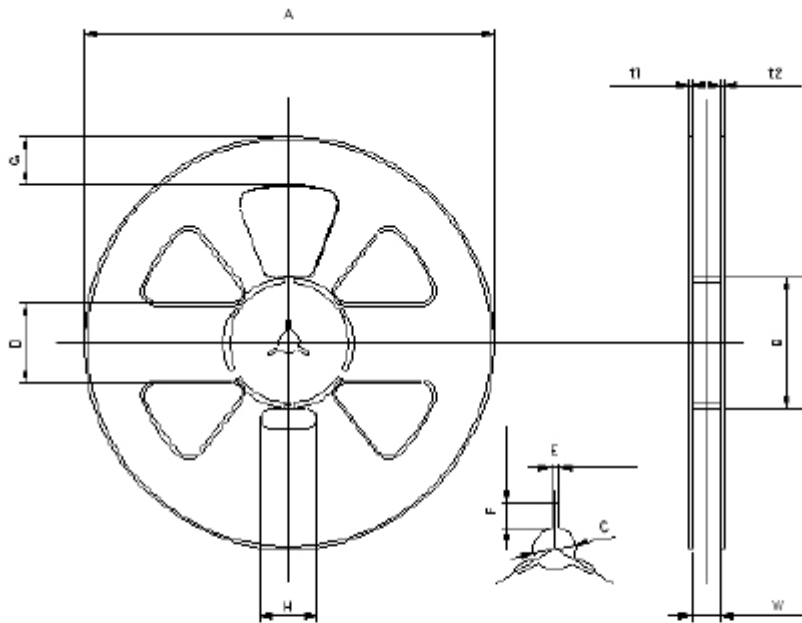
○: China, ●: Korea

F. PCB Footprint:



G. PACKING:

1. REEL DIMENSION

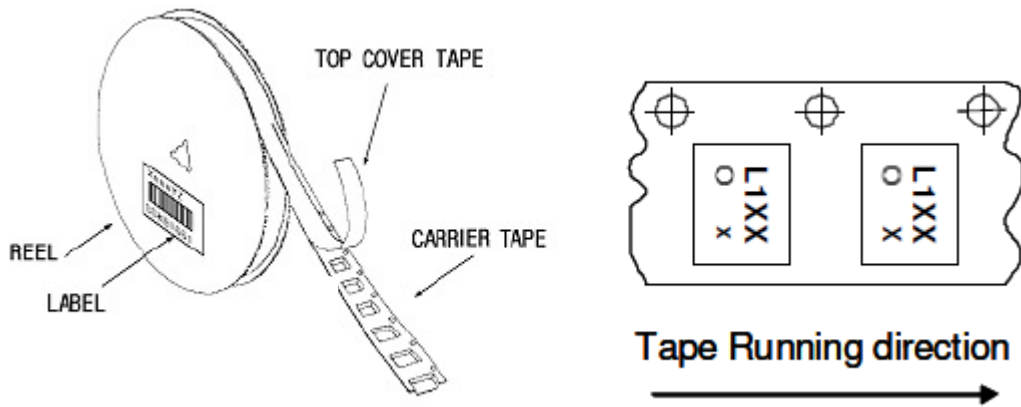


[Unit: mm]

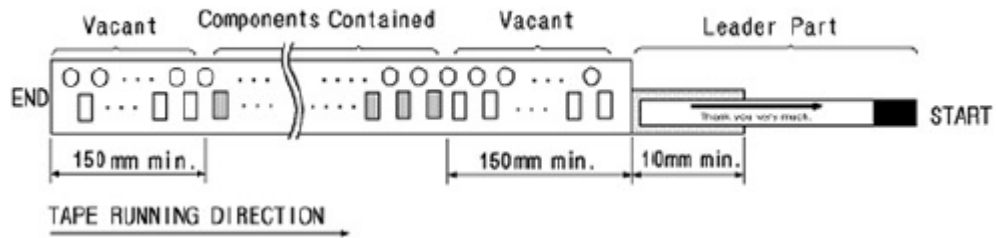
A	B	C	D	E	F	G	H	t1	t2	W
∅ 258.0	∅ 81.0	∅ 13.0	50.0	2.2	7.0	30.0	35.0	1.8	1.5	9.0
+1.0	+1.0	+0.5	+0.8	+0.3	+0.5	+0.8	+1.0	+0.5	+0.5	+1.0
-0.5	-1.0	-0.5	-0.8	-0.3	-0.5	-0.8	-1.0	-0.5	-0.5	-0.5

- The product shall be packed properly not to damaged during transportation and storage.

2. TAPE DIMENSION



Leader part and vacant position specifications.



H. RECOMMENDED REFLOW PROFILE :

