

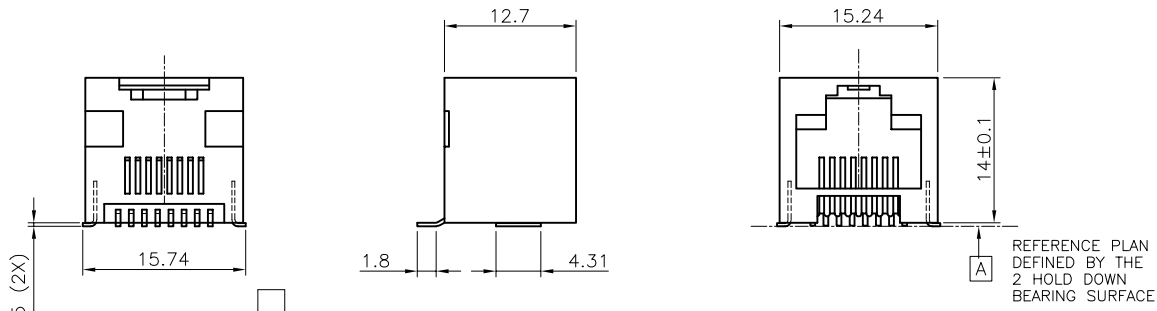
PRODUCT NUMBER  
73304-XXXLF

PLATING OPTION  
1= GXT 0.76  $\mu\text{m}$   
3= GOLD 0.76  $\mu\text{m}$   
5= GOLD 1.27  $\mu\text{m}$

PACKAGE OPTION  
1= TAPE ON REEL  
2= TUBE  
3= TAPE ON REEL  
IN PLASTIC BAG

TERMINAL LOADING  
1= FULLY LOADED  
2= POS 1,2,7,8  
3= POS 3,4,5,6

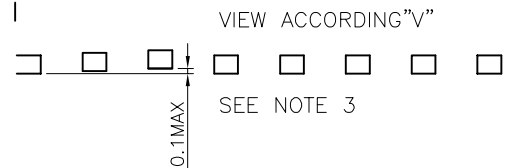
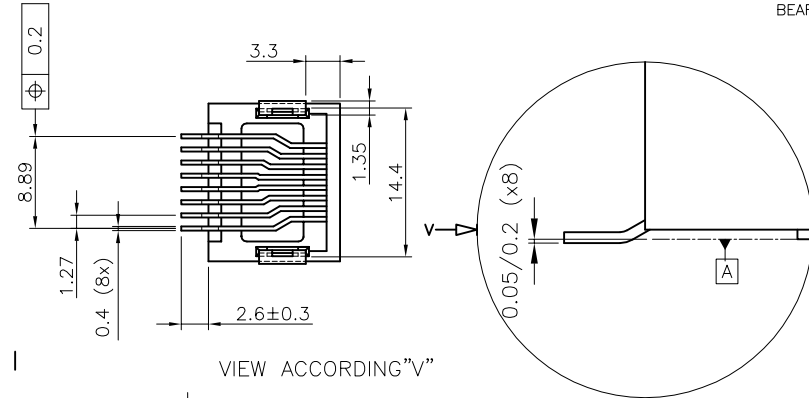
WHEN NEEDED, SUFFIX LETTER "LF"  
INDICATES THE PRODUCT IS RoHS  
COMPATIBLE, SEE NOTE 4.



REFERENCE PLAN  
DEFINED BY THE  
2 HOLD DOWN  
BEARING SURFACE

NOTES:

- 1- MATERIAL: HOUSING: HIGH TEMP. NYLON, COLOUR BLACK.  
TERMINAL: PHOSPHOR BRONZE.
- 2 - PLATING: CONTACT AREA: SEE TABLE.  
SOLDER TAIL : 90/10 SnPb 2 $\mu\text{m}$  MIN.  
WHEN SUFFIX "LF" IS REQUIRED, 2 $\mu\text{m}$  MIN MATTE  
TIN OVER 1.27 MIN Ni IS SUPPLIED INSTEAD OF SnPb.  
NO RAW EDGES EXCEPT SOLDER TAIL TIPS
- 3 - SOLDER TAILS COPLANARITY : 0.1 mm
- 4 - RoHS COMPATIBLE PRODUCT SPECIFICATIONS
  - a - PLATING:
    - "LF" MEANS THE PRODUCT IS LEAD-FREE,  
2 $\mu\text{m}$  MINIMUM MATTE TIN OVER 1.27 $\mu\text{m}$   
MINIMUM NICKEL UNDERPLATE.
  - b - MANUFACTURING PROCESS COMPATIBILITY
    - THE HOUSING WILL WITHSTAND EXPOSURE TO  
245°C PEAK TEMPERATURE FOR 30 SECONDS  
MAX IN A CONVECTION, INFRA-RED OR VAPOR  
PHASE OR REFLOW OVEN.
  - c - LABELING:
    - MEETS PACKAGING SPECS AS PER GS-14-920
  - d - LEGAL STATEMENT: SEE GS-22-008
- 5 - PACKAGING FOR OPTION 3 : EACH REEL IS WRAPPED INTO A PLASTIC BAG  
TO PROTECT FROM MOISTURE DURING STACKING TIME.



VIEW ACCORDING "V"

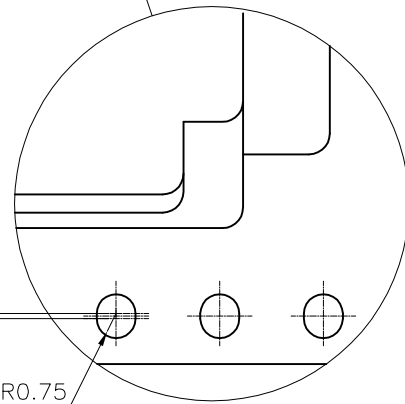
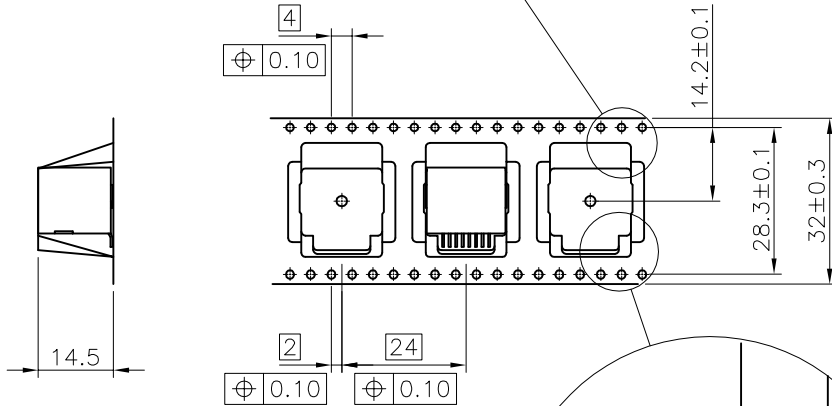
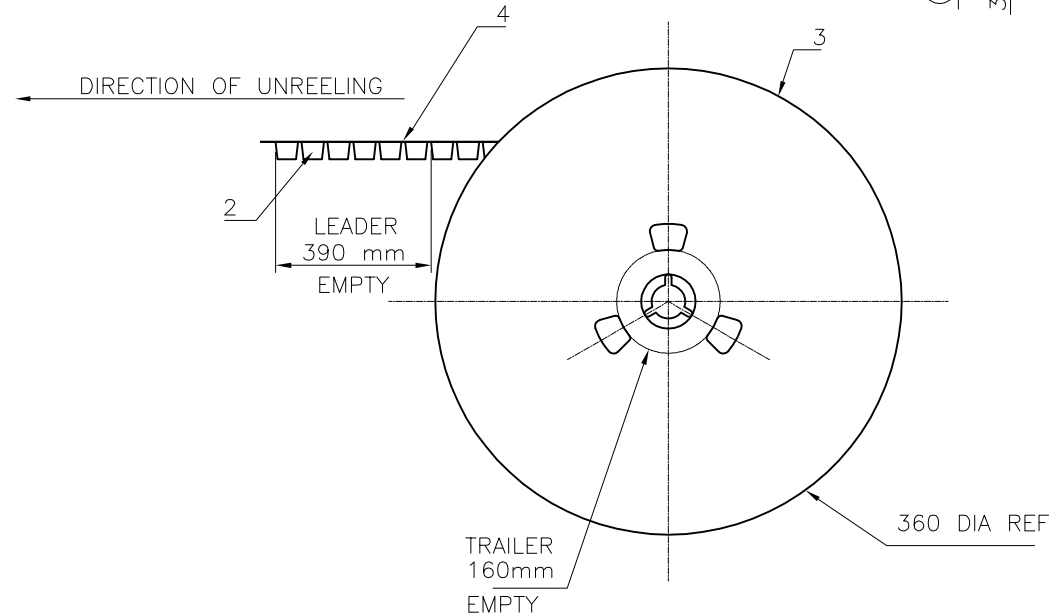
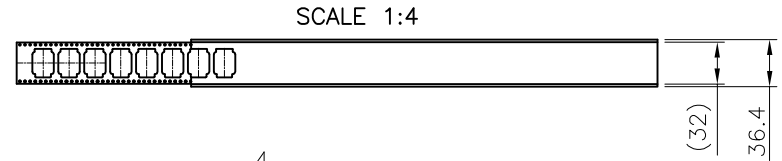
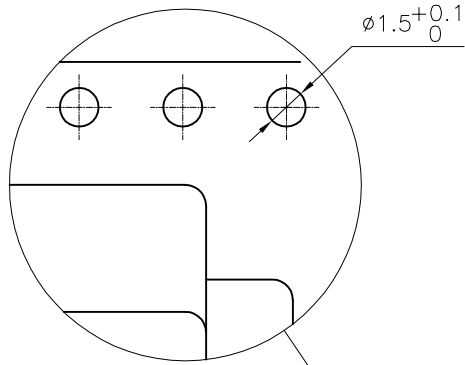
SEE NOTE 3

CUSTOMER COPY FOR REFERENCE ONLY

mat'l. code		surface		tolerance		projection		product family	
		ISO 1302		ISO 406 ISO 1101				MOD JACK	
ltr	ecn no	dr	date	tolerances unless otherwise specified		mm		title	
H	F06-0240	DLE	06.07.18	angles	linear	±0.13		SMT RA JACK	
J	F09-0070	LSA	02.07.23	±2'		scale 2:1		8 POS OUTSIDE	
D	F80620	DLE	98.11.26	dr	D LEGRAND	03.01.27	dwg no		sheet 1 of 3
E	F03020	DLE	03.01.27	engr	F TISSERAND	03.01.27	73304		A3
F	F04-0363	DLE	04.10.18	chr	JF NOTTEAU	03.01.27	type		CUSTOMER Drawing
G	F05-0247	DLE	05.09.12	appd	F.TI	03.01.27			
sheet	revision	J	E	B					
index	sheet	1	2	3					

PRODUCT NUMBER  
SEE SHEET 1

LTR	PART NAME	QTY
1	PRODUCT	230
2	TAPE	1
3	REEL	1
4	COVER TAPE	1



1- IN ACCORDANCE WITH EIA-481 AND IEC 296-3

CUSTOMER COPY FOR REFERENCE ONLY

mat'l. code		surface		tolerance		projection		product family			
		ISO 1302		ISO 406 ISO 1101				MOD-JACK			
ltr	ecn no	dr	date	tolerances unless otherwise specified						title	
D	D80620	DLE	98.11.26	angles		mm		SMT RA JACK			
E	F06-0240	DLE	06.07.18	linear		scale 2:1		8 POS. OUTSIDE			
				dr		D LEGRAND		04.10.18		dwg no	
				engr		P NIZZI		04.10.18		sheet 2 of 3	
				chr		D LEGRAND		04.10.18		size	
				appd		P NIZZI		04.10.18		A3	
										type	
										CUSTOMER Drawing	



Copyright FCJ

2

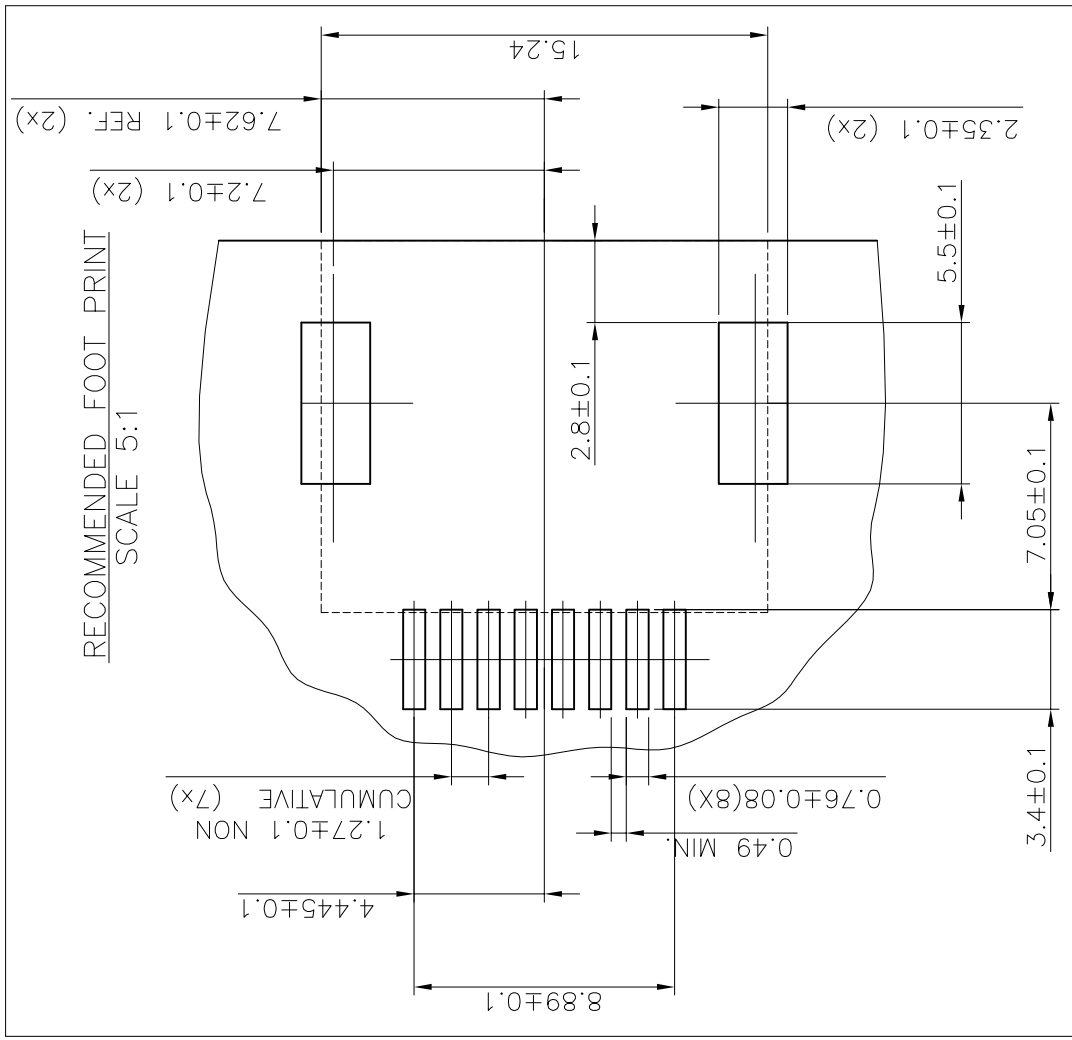
1

A

B

C

D



**CUSTOMER COPY FOR REFERENCE ONLY**

mat'l. code		surface	tolerance	projection	product family
ISO 1302		ISO 406	ISO 1101		MOD JACK
tolerances unless otherwise specified		angles		mm	title
±0.13		linear		scale 2:1	SMT RA JACK
±2°		D LEGRAND		04.10.18	8 POS OUTSIDE
engl P NIZZI		04.10.18		04.10.18	dwg no
chr D LEGRAND		04.10.18		04.10.18	73304
appd P.NZ		04.10.18		04.10.18	sheet 3 of - size
revision				CUSTOMER Drawing	
sheet					
index					
sheet					
index					



Fcconnect.com



Copyright FCJ

PDM: Rev:J

STATUS Released

Printed: Oct 01, 2010

form: A4

1

2