

Military DC-DC Converters

Series LFAxxDA Dual



New Version Aluminum package

Isolated Regulated 65 Watts each channel, Wide Input Range/18-36 VDC

Fully Regulated, Short Circuit Protected
Parallel Operation Available

Features:

- Dual isolated outputs
- Short circuit protection
- Input voltage protection
- Thermal, over temp. shutdown
- Line regulation
- Load regulation
- No external components required
- Hi density, hi efficiency design
- Remote shutdown
- Trim capabilities
- Fixed frequency-100 Khtz

Typical Characteristics:

Frequency: 100 Khtz

Base plate: Max. +85° C

Operating temperature: See thermal chart: -40° C to +85° C base plate, -55° C to +85° C base plate.

Test conditions: 25° C ambient

Isolation Base Input: 2121 VDC

Isolation Input Output: 4242 VDC

Isolation Output to Base: 1000 VDC

Storage temperature: -55° C to +105° C

SERIES LFA: -40°C to +85°C Operating Temperature

Surge -- Meets MIL STD 704

Vibration -- Meets MIL STD 202 Method 204 Cond. D

Humidity -- Meets MIL STD 202 Method 106

Shock -- Meets MIL STD 202 Method 213 Cond. I

Altitude -- Meets MIL STD 202 Method 105 Cond. D

Selected MIL STD 883 Options also Available

Stabilization Bake -- MIL STD 883 Method 1008 24 Hrs TA=125° C

Burn In -- MIL STD 883 Method 1015 160 Hrs at 90° C, case

Temperature Cycle -- MIL STD 883 Method 1010 Cond. B

The PICO LFAxxDA Series of high power DC-DC Converters, allow a wide input voltage of 18-36 VDC, while maintaining a regulated output. They are fully safeguarded for over voltage, over temperature and continuous short circuit protection.

The availability of Dual Isolated Outputs, small size, and the capability of parallel operations as standard features should reduce your design and

component costs, while the fixed frequency operation helps parallel connections for higher power requirements.

This high density unit is assembled in full Aluminum package in the USA with PICO quality and component selection, allowing it to meet the most stringent Military requirements.



Series LFAxxDA
Dual, Isolated Output
New Version MIL STD Aluminium Package
Mechanical Configurations

SERIES LFAxxDA

TOP VIEW

Overall length: 2.400
 Pin spacing: .500
 Pin diameter: Ø0.040 (10 PINS)
 Mounting hole diameter: Ø0.080 (4 PINS)

BOTTOM VIEW

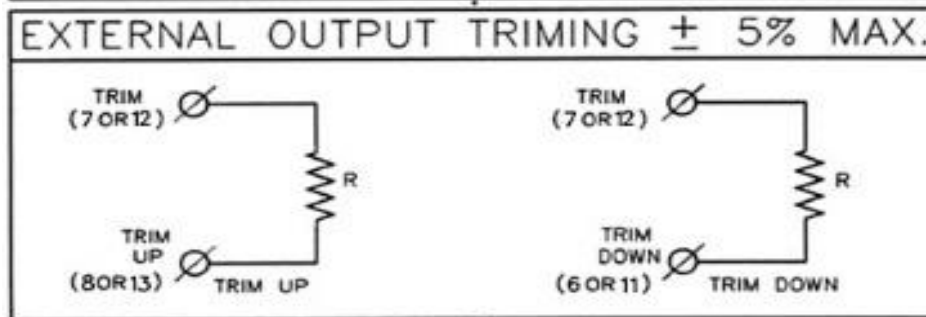
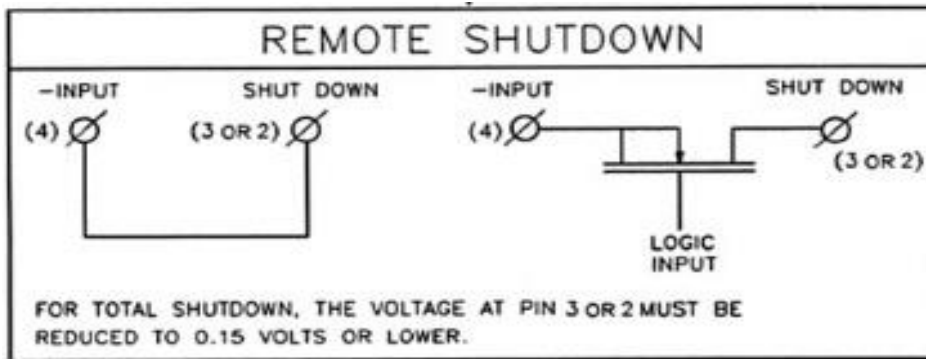
Overall width: 2.300
 Pin spacing: .600
 Pin diameter: Ø0.080 (4 PINS)

SERIES LP/LF/LM DUAL

Pin NO.	DUAL
1	+INPUT
2	SHUT DOWN 2
3	SHUT DOWN 1
4	-INPUT
5	-OUTPUT 1
6	TRIM DOWN 1
7	TRIM 1
8	TRIM UP 1
9	+OUTPUT 1
10	-OUTPUT 2
11	TRIM DOWN 2
12	TRIM 2
13	TRIM UP 2
14	+OUTPUT 2

Typical Weight: 110 Grams
 Dimensions in Inches

Typical Weight: 110 Grams; Dimensions in Inches
 Note: The recommended torque for mounting screws is 6 to 9 In-Lbs.



***Typical Resistance Range for Trim Up and Trim Down**

%	1	2	3	5
Resistance				
Trim				
Trim Up	9.5M	4.8M	3.2M	2M
Trim Down	500K	250K	160K	93K

*These units are typical resistance values, as each individual unit will vary slightly.
 Use of trim pot to determine resistance value is recommended.
 Use 1/2 watt minimum power rating resistor.

For immediate engineering assistance or to place an order:
Call Toll Free: 800-431-1064

PICO Electronics, Inc.

143 Sparks Ave. Pelham, NY 10803-1837

Tel: 914-738-1400 or Fax: 914-738-8225