



## UA8316

Preliminary

**LINEAR INTEGRATED CIRCUIT**

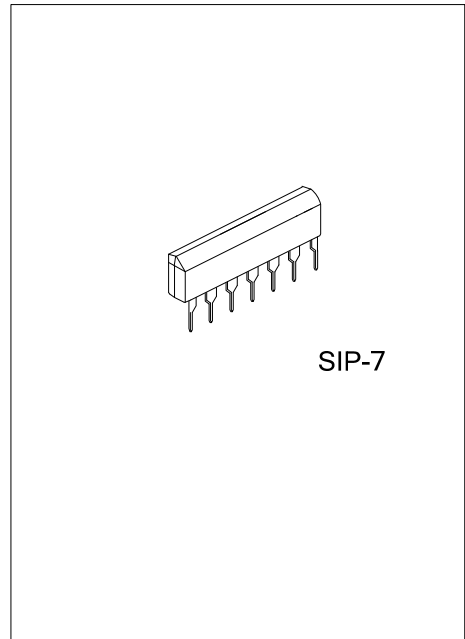
### IGBT GATE DRIVER

#### DESCRIPTION

Integrating IGBT gate drive circuits on a single chip, The UTC **UA8316** is a dedicated IC and a high current can directly drive IGBT.

#### FEATURES

- \* A high current can directly drive IGBT
- \* Can directly control from a microcontroller  
Source current: -200mA (max), sink current 1A (max)
- \* Protect the IGBT gate at power on via a diode



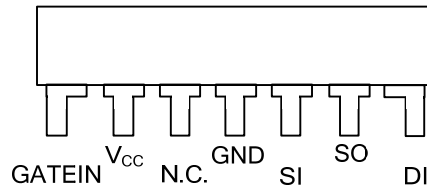
#### ORDERING INFORMATION

Ordering Number		Package	Packing
Lead Free	Halogen Free		
UA8316L-G07-T	UA8316G-G07-T	SIP-7	Tube

Note: xx: Output Voltage, refer to Marking Information.

<p>UA8316L-G07-T</p> <p>(1)Packing Type (2)Package Type (3)Lead Free</p>	<p>(1) T: Tube (2) G07: SIP-7 (3) G: Halogen Free, L: Lead Free</p>
--	---

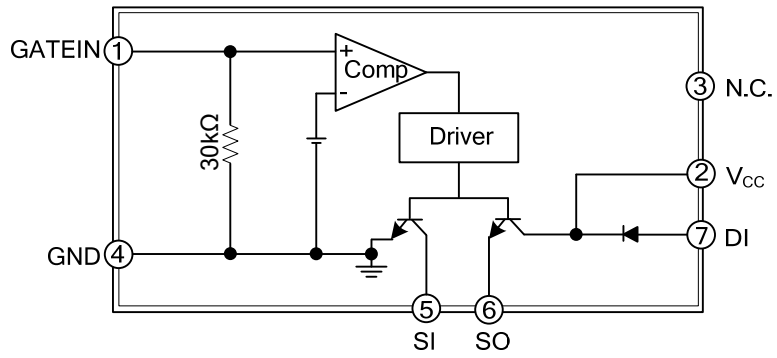
■ PIN CONFIGURATION



■ PIN DESCRIPTION

PIN NO.	PIN NAME	DESCRIPTION
1	GATEIN	Gate Signal Input
2	V <sub>CC</sub>	Power Supply
3	N.C.	Not Connected
4	GND	Ground
5	SI	IGBT Gate Drive (Sink Side)
6	SO	IGBT Gate Drive (Source Side)
7	DI	IGBT Gate Protector Diode

■ BLOCK DIAGRAM



■ ABSOLUTE MAXIMUM RATING (T<sub>A</sub>=25°C, Unless otherwise specified)

PARAMETER	SYMBOL	RATINGS	UNIT
Collector Supply Voltage	V <sub>CC</sub>	25	V
Input Voltage	V <sub>IN</sub>	GND-0.3~V <sub>CC</sub> +0.3	V
Power Dissipation (Note 2)	P <sub>D</sub>	925	mW
Operating Temperature	T <sub>OPR</sub>	-20~+85	°C
Storage Temperature	T <sub>STG</sub>	-55~+150	°C

Note: 1. Absolute maximum ratings are those values beyond which the device could be permanently damaged.

Absolute maximum ratings are stress ratings only and functional device operation is not implied.

2. When T<sub>A</sub>>25°C, P<sub>D</sub> decreases 7.4mW per degree.

■ ELECTRICAL CHARACTERISTICS (T<sub>A</sub>=25°C, Unless otherwise specified, V<sub>CC</sub>=20V)

PARAMETER	SYMBOL	TEST CONDITIONS	MIN	TYP	MAX	UNIT
<b>SUPPLY VOLTAGE BLOCK</b>						
Operating Supply Voltage Range	V <sub>CC</sub>		7		24	V
Current Consumption 1	I <sub>CC1</sub>	V <sub>CC</sub> =20V, GATEIN="H", No Load	0.7	1.25	1.9	mA
Current Consumption 2	I <sub>CC2</sub>	V <sub>CC</sub> =20V, GATEIN="L", No Load	4.2	6.25	8.8	mA
<b>GATEIN PIN</b>						
Input Dynamic Range	V <sub>IN</sub> GATEIN		0		V <sub>CC</sub> -2.2	V
Threshold Voltage 1	V <sub>TH</sub> GATE1	GATE Signal L→H		2.63	3	V
Threshold Voltage 2	V <sub>TH</sub> GATE2	GATE Signal H→L	1.5	2.27		V
Input Current	I <sub>IN</sub> GATE	V <sub>IN</sub> =5V	125	167	249	μA
Input Frequency (Reference)	F <sub>IN</sub> GATE	When Load C=5600pF, R=10kΩ Connected			50	KHz
<b>SI PIN</b>						
"L" Level Output Voltage 1	V <sub>OL</sub> SI1	VGATEIN=0V, I <sub>OL</sub> =30mA			0.7	V
"L" Level Output Voltage 2	V <sub>OL</sub> SI2	VGATEIN=0V, I <sub>OL</sub> =1A			2	V
"L" Level Output Voltage 3	V <sub>OL</sub> SI3	V <sub>CC</sub> =7V, VGATEIN=0V, I <sub>OL</sub> =30mA			1	V
"L" Level Output Voltage 4 (Output Voltage At Low Supply Voltage)	V <sub>OL</sub> SI4	2V≤V <sub>CC</sub> <7V, VGATEIN=0V, No Load			1	V
"L" Level Output Voltage 5 (Output Voltage At Low Supply Voltage)	V <sub>OL</sub> SI5	2V≤V <sub>CC</sub> <7V, VGATEIN=0V, I <sub>OL</sub> =30mA			2	V
Off Leakage Current	I <sub>OFF</sub> SI	VGATEIN=6V, V <sub>IN</sub> =20V	-1		1	μA
<b>SO PIN</b>						
"H" Level Output Voltage 1	V <sub>OH</sub> SO1	VGATEIN=6V, I <sub>OH</sub> =-30mA	V <sub>CC</sub> -2			V
"H" Level Output Voltage 2	V <sub>OH</sub> SO2	VGATEIN=6V, I <sub>OH</sub> =-200mA	V <sub>CC</sub> -5			V
Off Leakage Current	I <sub>OFF</sub> SO	VGATEIN=0V, V <sub>IN</sub> =0V	-1		1	μA
<b>DI PIN</b>						
Input Clamp Voltage 1	V <sub>F</sub> DI1	I <sub>IN</sub> =500mA			V <sub>CC</sub> +1.5	V
Input Clamp Voltage 2	V <sub>F</sub> DI2	V <sub>CC</sub> =0V, I <sub>IN</sub> =300mA			V <sub>CC</sub> +1.0	V

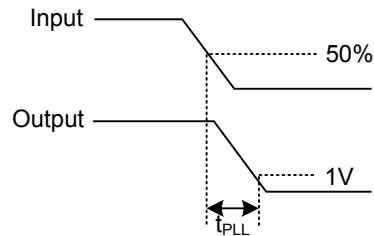
■ AC CHARACTERISTICS (V<sub>CC</sub>=20V, T<sub>A</sub>=25°C, Unless otherwise specified)

PARAMETER	SYMBOL	TEST CONDITIONS	MIN	TYP	MAX	UNIT
Propagation Delay Time 1	t <sub>PLL</sub>	See Test Circuit Diagram			2	μs
Propagation Delay Time 2	t <sub>PHH</sub>	See Test Circuit Diagram			2	μs
Output Fall Time	t <sub>F</sub>	See Test Circuit			0.5	μs

■ AC CHARACTERISTICS TEST CONDITIONS

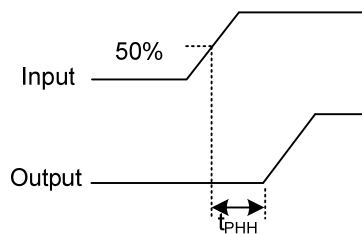
A. Propagation delay time 1 ( $t_{PLL}$ )

Time from input of "L" level to GATEIN pin until output reaches 1V



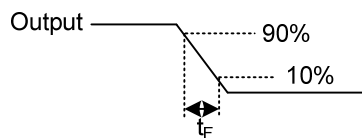
B. Propagation delay time 2 ( $t_{PHH}$ )

Time from input of "H" level to GATEIN pin until output starts to rise

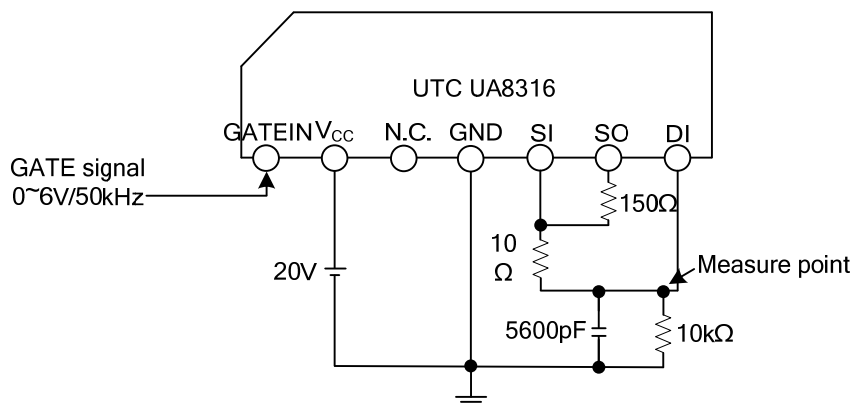


C. Output fall time ( $t_F$ )

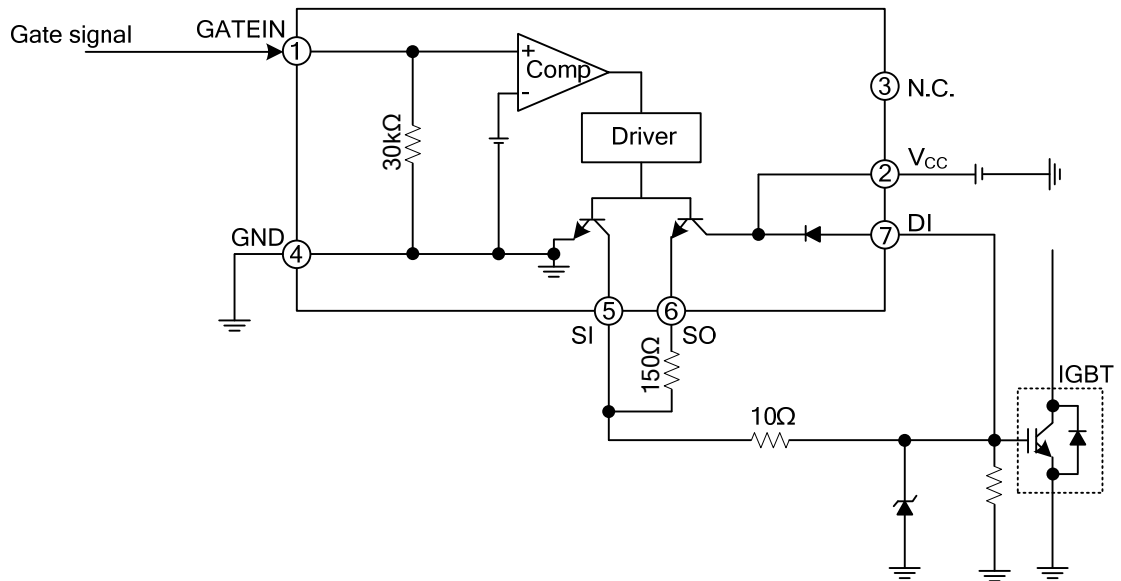
Output fall time from 90% to 10%



■ TEST CIRCUIT



■ TYPICAL APPLICATION CIRCUIT



UTC assumes no responsibility for equipment failures that result from using products at values that exceed, even momentarily, rated values (such as maximum ratings, operating condition ranges, or other parameters) listed in products specifications of any and all UTC products described or contained herein. UTC products are not designed for use in life support appliances, devices or systems where malfunction of these products can be reasonably expected to result in personal injury. Reproduction in whole or in part is prohibited without the prior written consent of the copyright owner. The information presented in this document does not form part of any quotation or contract, is believed to be accurate and reliable and may be changed without notice.