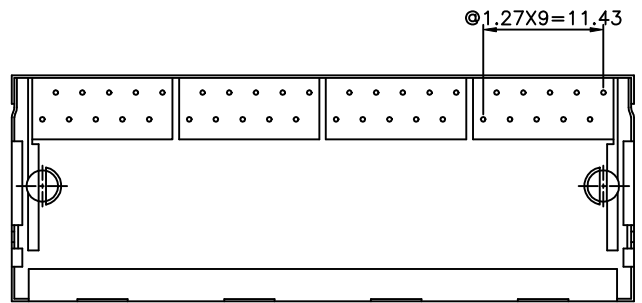
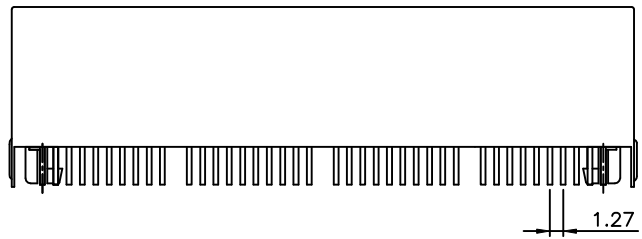
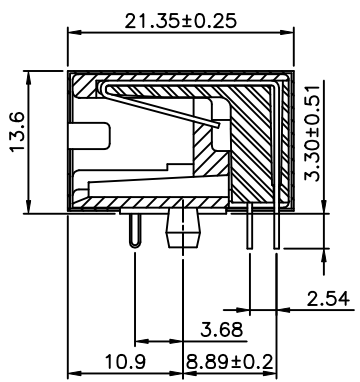
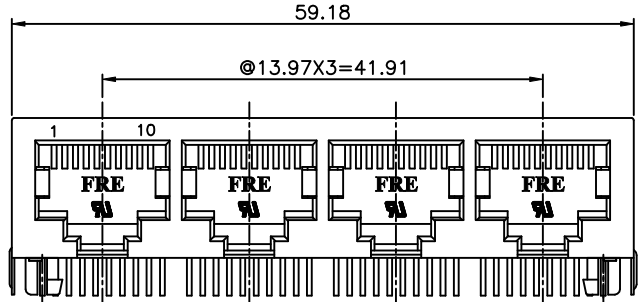


REVISION RECORD				
REV	ECO	DESCRIPTION	DRFT	CHKD



**NOTES:**

ELECTRICAL:

- VOLTAGE RATING : 125 VAC RMS.
- CURRENT RATING : 1.5 AMP.
- CONTACT RESISTANCE : 45 MILLIOHMS MAX.
- INSULATION RESISTANCE: 1000 MEGOHMS MIN @ 500 VDC.
- DIELECTRIC STRENGTH : 1000 VAC RMS 60Hz, 1MIN.

MECHANICAL:

- HOUSING MATERIAL : PBT+30%.G.F UL94V-0.
- INSERT : PBT+30%.G.F UL94V-0.
- CONTACT MATERIAL : PHOSPHOR BRONZE t=0.35mm.
- PLATING : GOLD PLATING OVER NICKEL.
- OPERATING LIFE : 750 CYCLES MIN.
- PCB RETENTION PRE-SOLDER : 1 LB MIN.
- PCB RETENTION POST-SOLDER: 10 LBS MIN.

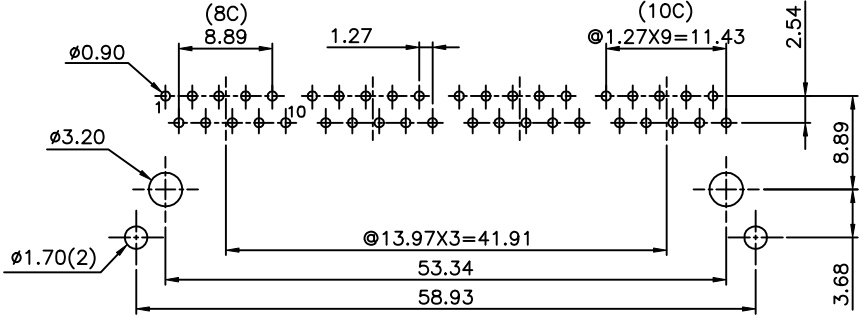
ENVIRONMENTAL:

- STORAGE : -40°C TO +85°C.
- OPERATION: 0°C TO 70°C.
- WAVE SOLDERING TEMPERATURE: 230°C~250°C (5~10 SECONDS)

MATES WITH MODULAR PLUG CONFORMING TO FCC PART 68, SUBPART F.  
 UL & CUL FILE NO. E163191  
 PART NUMBER: E590X-1XC42X-L

8-8C      1-3u"      2-6u"  
 1-10C      3-15u"      4-30u"  
                  5-50u"

3- TIN PLATING  
 5- NICKEL PLATING  
 C- GOLD PLATING 3u"



PC Board Layout Component Side Shown

DETACHED LISTS	MM (INCH)	DFTO JAMY	DATE 8/24/05	FULL RISE ELECTRONIC CO., LTD	
	TOLERANCES EXCEPT AS NOTED	CHKDSAMMY	DATE 2005/08/25		
	MM	MFO	DATE	TITLE 20.57 PCB JACK 10P	
	.0 ±0.2 ±	APPVLLUSHENG	DATE 2005/08/25		
.00 ±0.15 ±	MATERIAL :		DRAWING NO. GE593B19-LC		
.000 ±0.075 ±	ANGLES ± 0.5		/PART NO. SEE NOTE		
THIRD ANGLE PROJECTION	FINISH :		SIZE A3		
	SCALE : 2 : 1		REV 0		
	DO NOT SCALE DRAWING		SHEET OF		