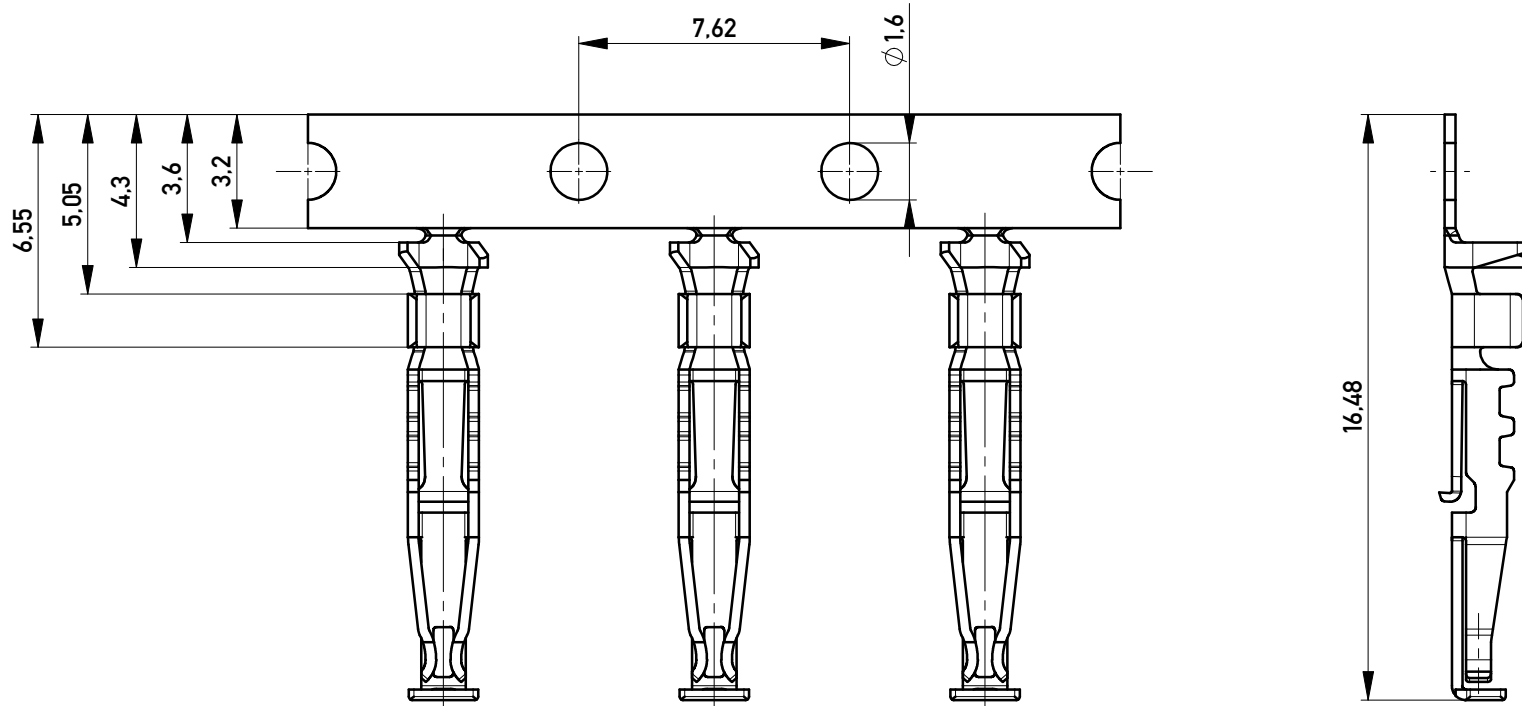
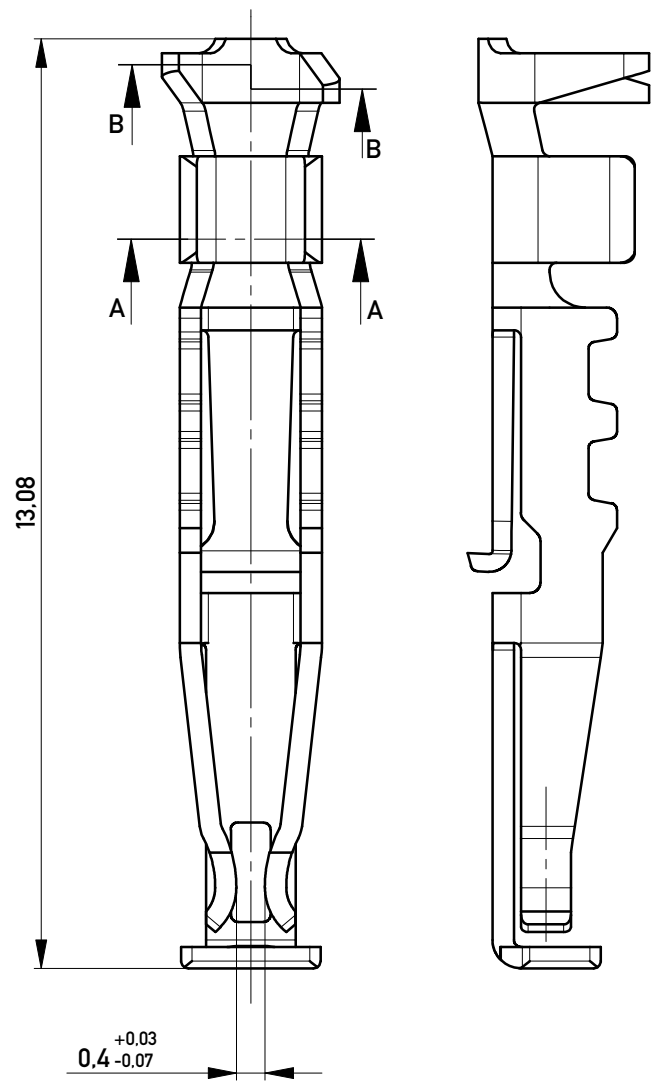


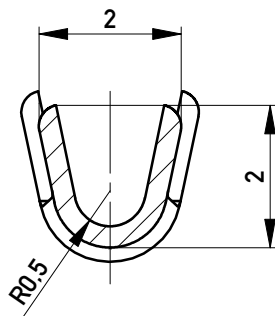
Federkontakte am Band



Federkontakt vereinzelt

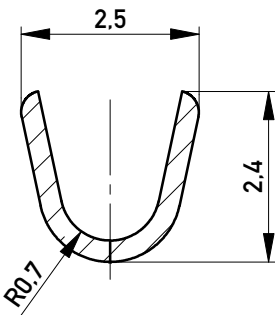


Schnitt A-A M 10:1

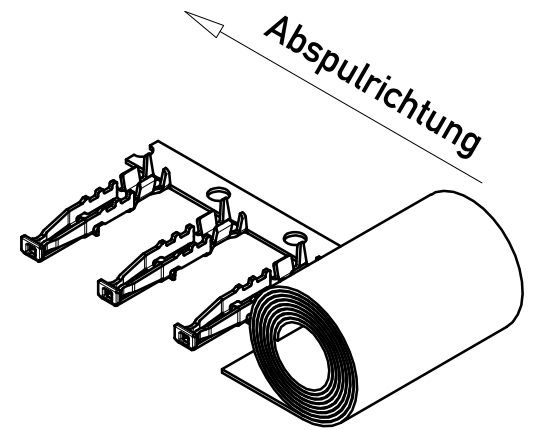


Drahtcrimp

Schnitt B-B M 10:1



Isolationscrimp



¹ AWG 20 für Isolationsdurchmesser < 1,5mm

AWG 20-22 ¹	500	Ø130	137	
Leiterquerschnitt <i>wire cross section</i>	Menge	Spulen- durchmesser	Anforder- ungsstufe	Bemerkung

Copyright by ERNI GmbH Proprietary notice pursuant to ISO 16016 to be observed.	Information:	Tolerances	Scale 2:1 All Dimensions in mm
	All rights reserved. Only for Information. To ensure that this is the latest version of this drawing, please contact one of the ERNI companies before using.	Subject to modification without prior notice. Drawing will not be updated.	Designation Federkontakte 2,54 SRC-A BA1 <i>Spring contact 2,54 SRC-A</i>
f Index	10.04.2013 Date	www.ERNI.com	100700280001 Class SRCBUT
			K A3