

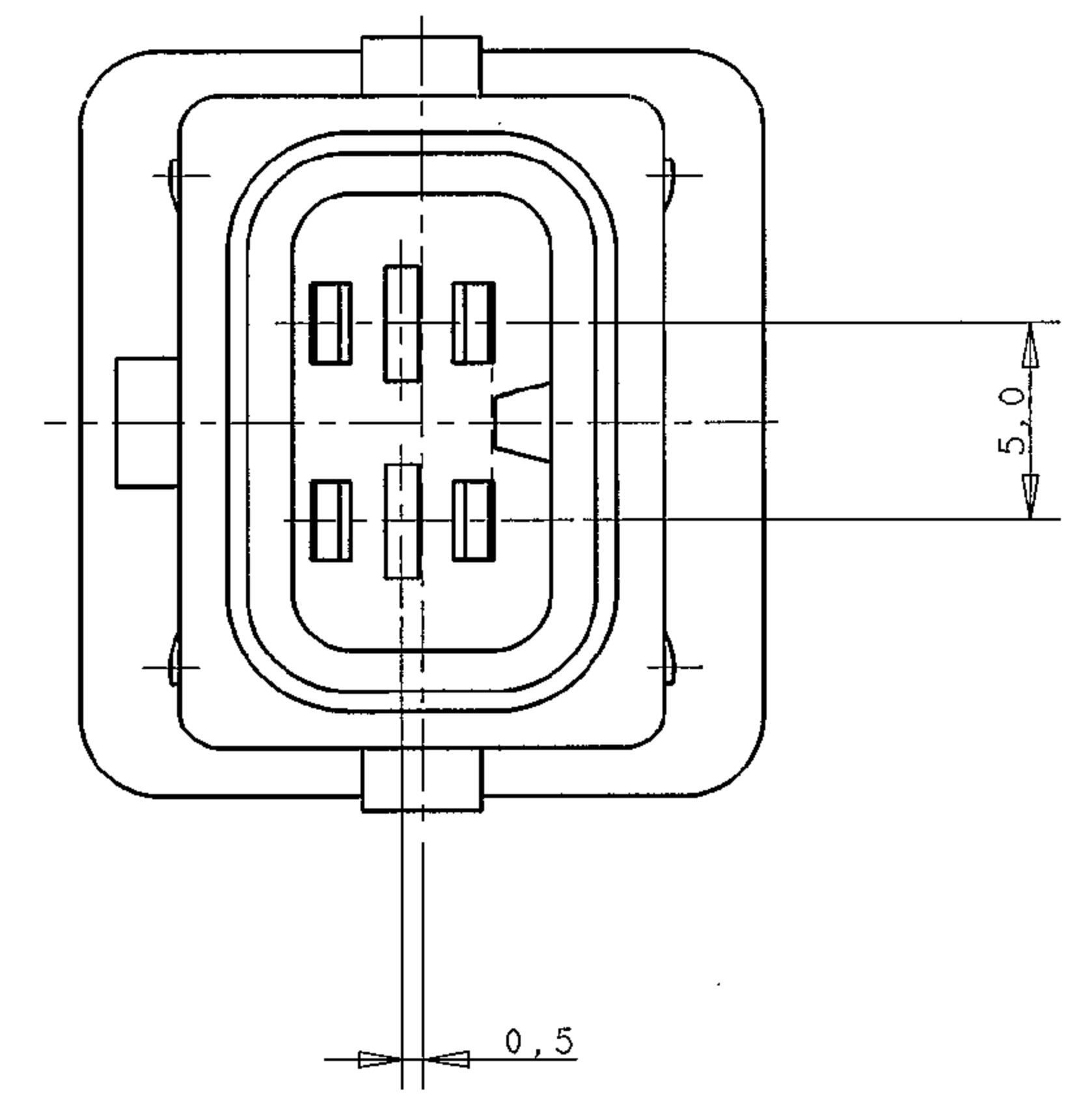
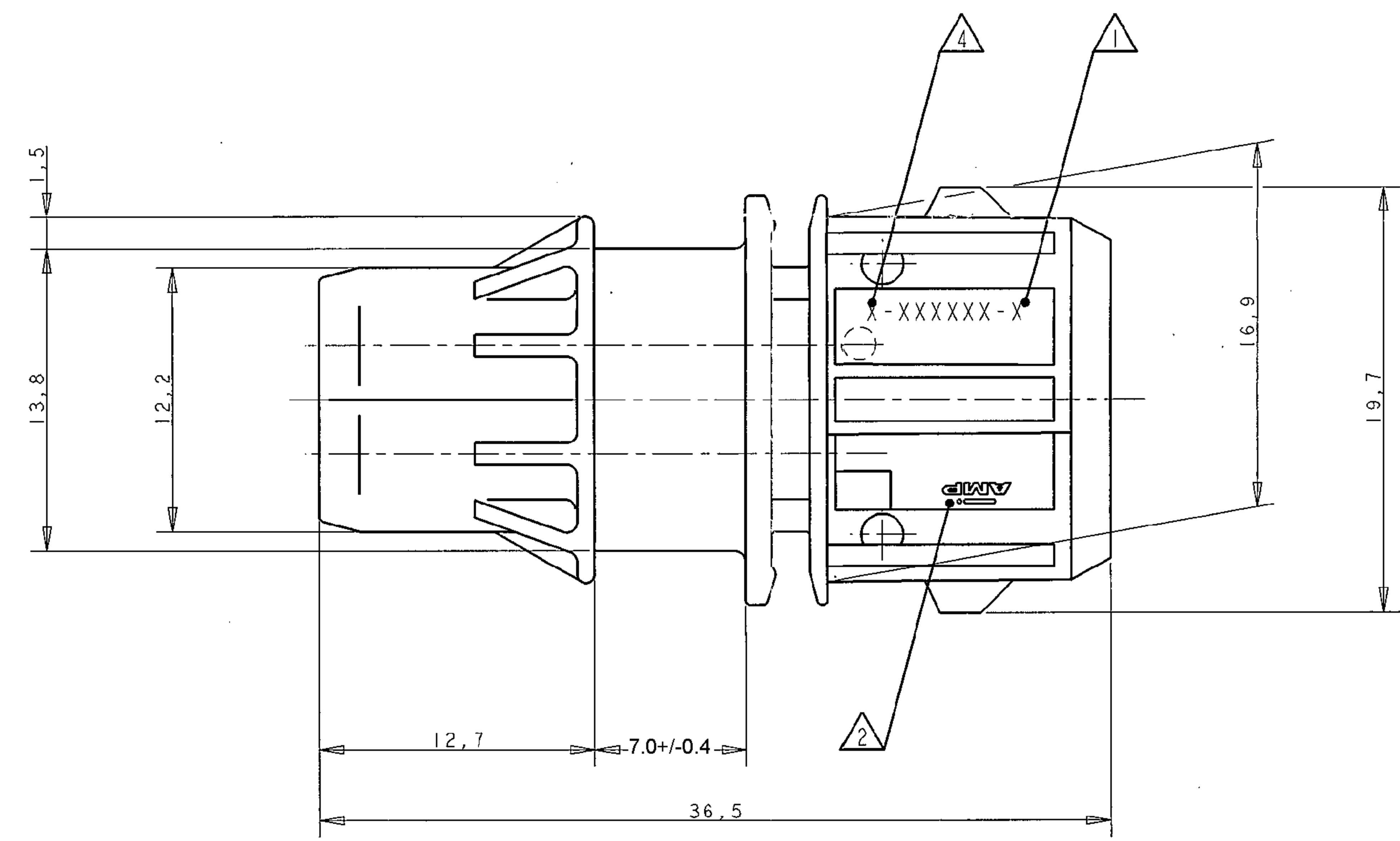
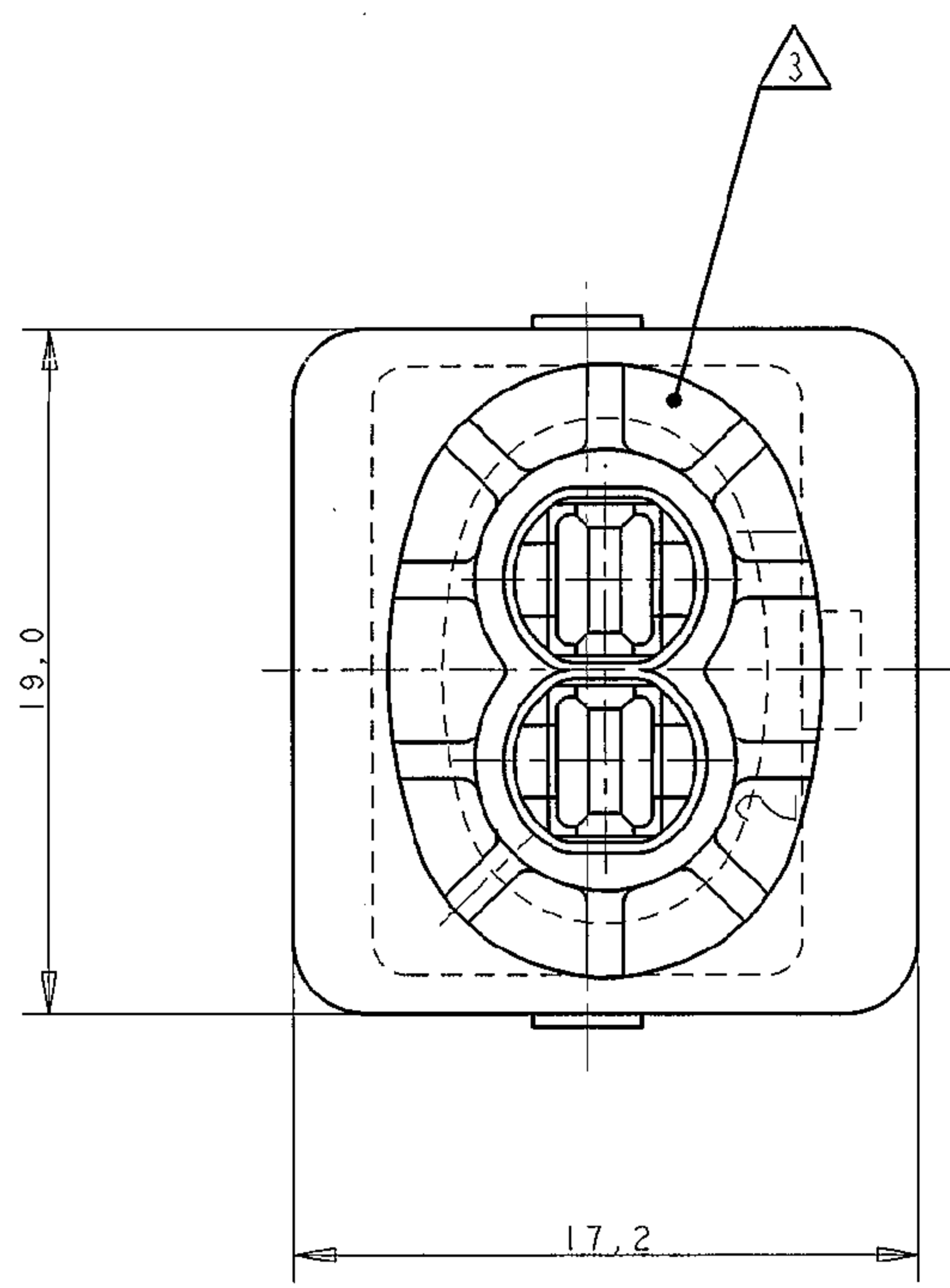
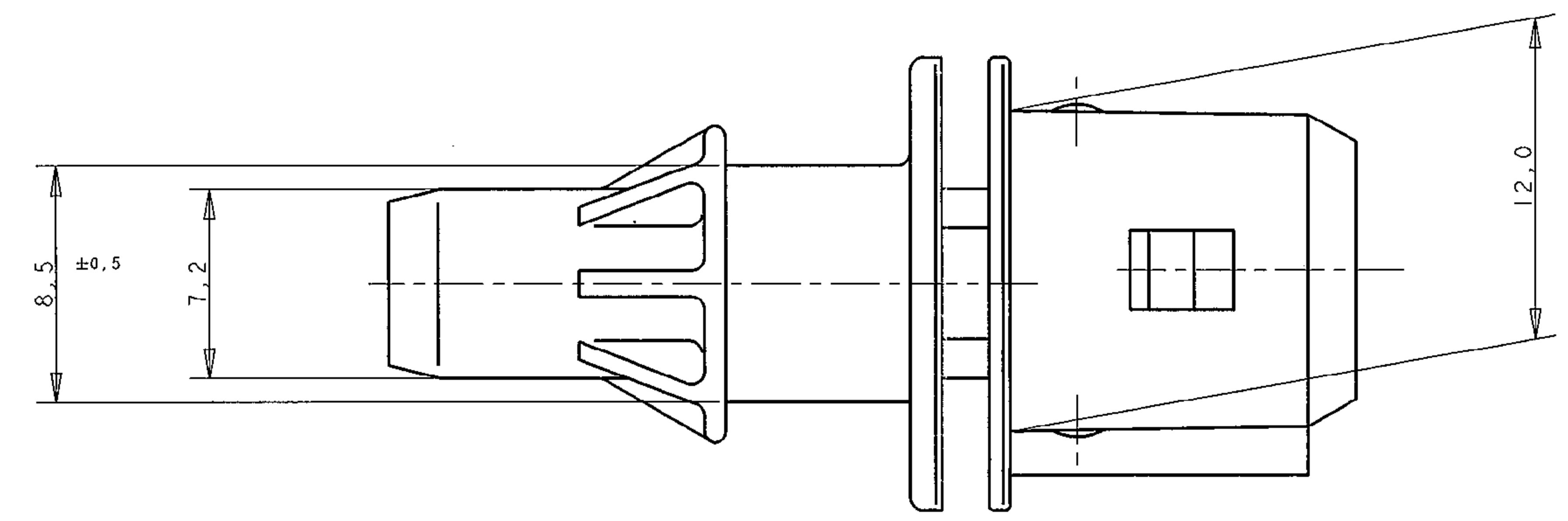
DO NOT SCALE  
DIMENSIONS IN mm

METRIC

THIRD ANGLE  
PROJECTION

NOTES:

- ▲ PARTNUMBER IDENTIFICATION.
- ▲ AMP TRADE MARK.
- ▲ CAVITY IDENTIFICATION.
- ▲ POCKET IDENTIFICATION.
- 5 FITS TO HOUSING JR TIMER 282189-1 AND 827551-1.



				BLACK	PBT	106462-1
				FINISH	MATERIAL	PARTNUMBER
				CUSTOMER DRAWING		FOR REFERENCE ONLY WILL NOT BE UPDATED
E	ECR-07-007645	M.H	M.G	29/03/07	© COPYRIGHT 19... BY AMP HOLLAND B.V. ALL INTERNATIONAL RIGHTS RESERVED. AMP PRODUCTS MAY BE COVERED BY U.S. AND FOREIGN AND/OR PATENTS PENDING.	
D	EB00-0466-00	PB	CK	22 09 00	THIS DRAWING IS UNPUBLISHED RELEASED FOR PUBLICATION	
C	EH-1163-95	JvL	RoFB	29-09-95	AMP HOLLAND B.V. 's-Hertogenbosch, The Netherlands.	
B	EH-0960-94	JvL	RoFB	22-12-94	AMP	
A	EH-0430-94	DK	RoFB	23-06-94	NAME 2 POS. 2.8mm TAB HOUSING	
0	EH-0927-93	DK	RoFB	-		
LTR.	REVISION RECORD	DR.	CHK.	DATE		
DR.:	D. KESSLER	CHK.:	M. v DRIEL	APP.:	M. v DRIEL	DWG.No. 106462
DATE:		DATE:	5 SEP 00	DATE:	5 SEP 00	REV. LTR. E
						SHEET 1 OF 1
						A2