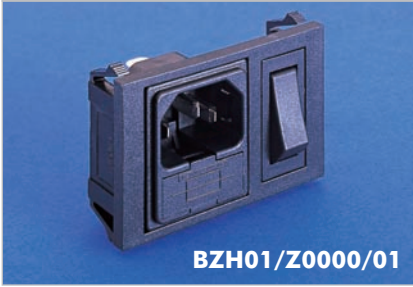
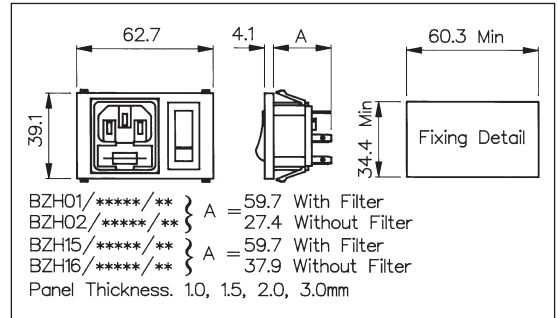


C14 IEC Fused Inlet - Horizontal

HORIZONTAL MODULE ARRANGEMENT



- Fused Inlet with 2.8mm or 6.3mm tags
- Single Pole Switch Variations
- Filtered Inlet Option
- Options of I/O marked switches



How to Order

**BZH xx / xxxxx / xx**

Type of Inlet / Outlet	Filtered or Non Filtered Inlet	Combination of Other Components
Single Fused C14 Power Inlet (cold condition), 2.8 or 6.3mm tabs: <b>01</b> = PF0011/63 <b>02</b> = PF0011/28	Z0000 = Non Filtered Axxxx = Standard Bxxxx = Medical (Twin Fuse Version only)	Single Pole Switch: <b>01</b> = S.P. Switch  Single Pole Neon Switch: <b>02</b> = S.P. Red Neon Switch <b>08</b> = S.P. Green Neon Switch  Neon Indicator: <b>03</b> = Red Neon Indicator  Single Pole High Inrush Switch: <b>46</b> = S.P. High Inrush Switch  Single Pole Switch Marked I/O: <b>69</b> = S.P. Switch (I/O)  Single Pole Neon Switch Marked (I/O): <b>71</b> = S.P. Red Neon Switch (I/O) <b>74</b> = S.P. Green Neon Switch (I/O)  Single Pole High Inrush Switch Marked (I/O): <b>98</b> = S.P. High Inrush Switch (I/O)
Twin Fused C14 Power Inlet (cold condition), 2.8 or 6.3mm tabs: <b>15</b> = PF0033/63 <b>16</b> = PF0033/28	For Filtered inlet use 6th to 9th characters from filter ordering code see pages 127-129.  E.g. BZH01/ <b>A0620</b> /01	

Note: For technical details of individual components please see page 106

# Mouser Electronics

Authorized Distributor

Click to View Pricing, Inventory, Delivery & Lifecycle Information:

Bulgin:

[BZH01/Z0000/01](#) [BZH01/Z0000/03](#)