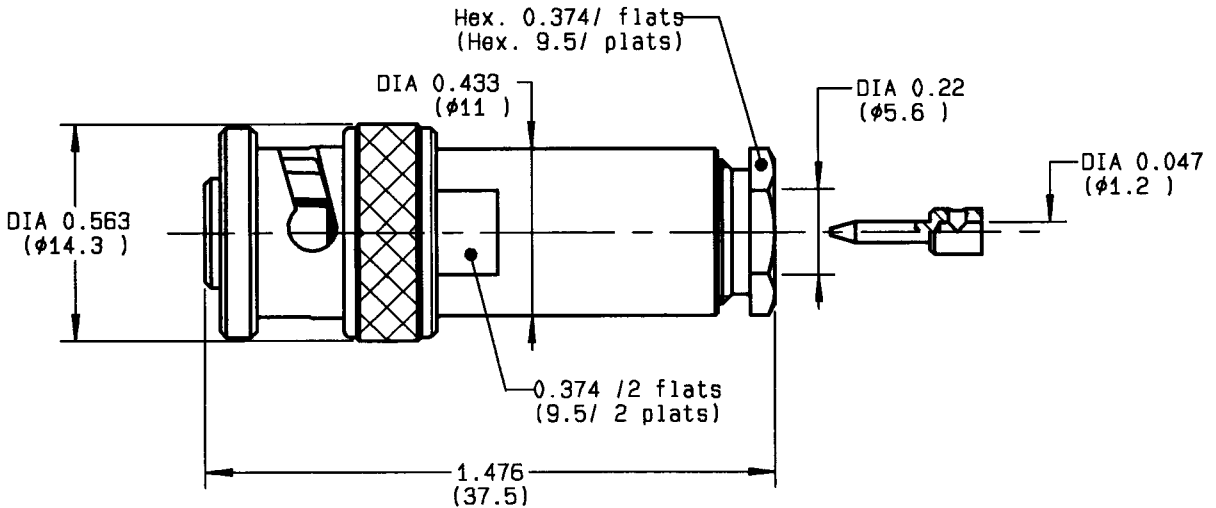




STRAIGHT PLUG CABLE CLAMP
CABLE 5/50



CABLES : RG58 RG141 RG142 RG223 KX15 KX23

CHARACTERISTICS

NOMINAL IMPEDANCE	50 Ω
FREQUENCY RANGE	0-2 GHz
TEMPERATURE RATING	-55/+155 °C
VSWR	1.2 + .2 x F(GHz)Maxi
RF INSERTION LOSS	- √F(GHz) dB Maxi
VOLTAGE RATING	- Vrms Max
DIELECTRIC WITHSTANDING VOLTAGE	6000 Vrms min
INSULATION RESISTANCE	- MΩ min
HERMETIC SEAL	- cc/s - Atm.cm3/s
LEAKAGE (pressurized only)	- psi - MPa
WEIGHT	0.7143 Oz 20 g

STANDARDISATION

CABLE RETENTION	20.21	lb min
	90	N
CENTER CONTACT RETENTION		
Axial force - mating end	0	lb min
	NA	N
Axial force - opposite end	0	lb min
	NA	N
Torque (Min)	0	Inch.oz
	-	cm.N
RECOMMENDED TORQUES		
Mating	0	inch.lb
	-	cm.N
Panel nut	0	inch.lb
	-	cm.N
Clamp nut	13.27	inch.lb
	150	cm.N

CONSTRUCTION

CONNECTOR PARTS	MATERIALS	FINISH
BODY	BRASS	NICKEL
OUTER CONTACT	BRASS	NICKEL
CENTER CONTACT	BRASS	SILVER
INSULATOR	PTFE	-
-	-	-
-	-	-
-	-	-
-	-	-
-	-	-
-	-	-

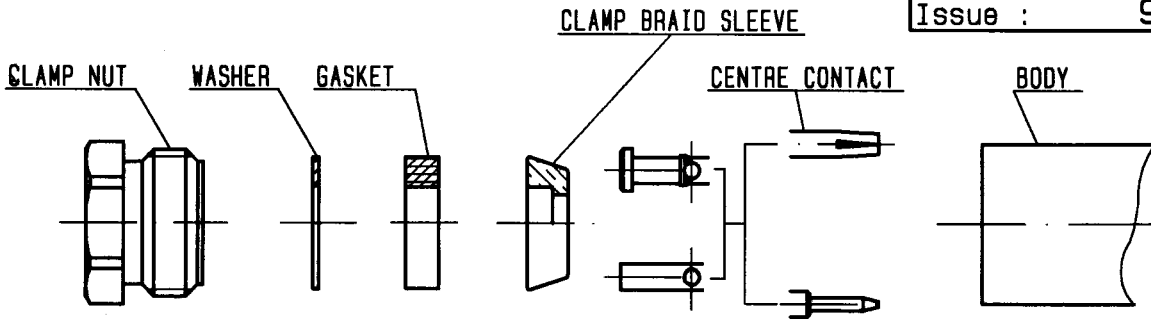
ISSUE	REVISION No	DESCRIPTION	BY	DATE
.
.
.
.

Initiated on 02/02/94

The information given here is subject to change without notice. Design changes may be in order to improve the product.



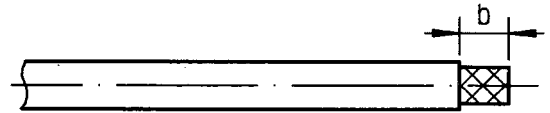
Approval by - Trigue P



①

Strip the cable .

-
-
-
-



Stripping	a	b	c	d	e
inch	0.098	0.591	0	0	0.453
mm	2.5	15	-	-	11.5

②

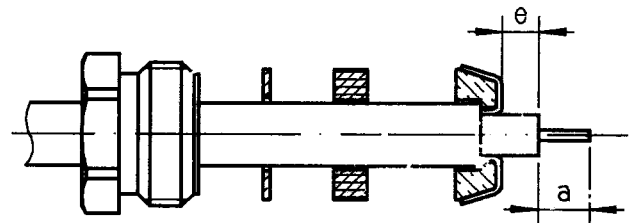
Slide the clamp nut , the washer and the gasket onto the cable .

Slide clamp braid sleeve over braid .

Fold back braid and trim off surplus braid .

Trim back dielectric as shown .

-
-

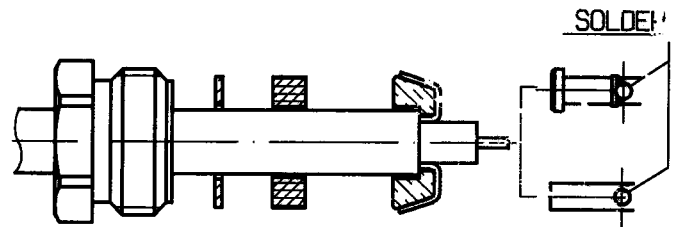


③

Solder the cable inner conductor into centre contact .

Smear the dielectric with insulating silicone grease .

-
-
-
-

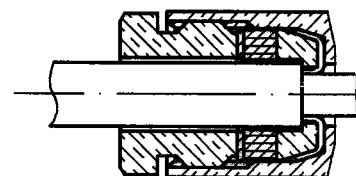


④

Screw sub-assembly into the connector body .

(recommended coupling torque 13.27 in.lb)

-
-



Hex. : 0.374/flats