

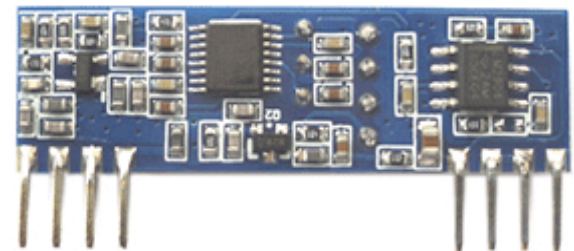
ASK OOK Receiver Module ET-RXB-9

ET-RXB-9 is ASK OOK Receiver Module, it adopts LSI circuit with high frequency and low noise which import from Europe. It has strong antistatic protection, high reliability and competitive price. Easy pass kinds of FCC or CE certification.

It has ability to restrain the radiation, can work with several module (one transmitter module and several receiver module) at the same time, and have no interference to each other, and don't influence the receiving distance.

Key Feature

- ◆ Modulation Mode : ASK / OOK
- ◆ Operating Frequency : 433.92 Mhz
- ◆ Operating Voltage : 4.5~5.5 V
- ◆ Operating Current : 9.6 mA
- ◆ Data Rate : 5 Kbps
- ◆ Sensitivity : -114 dbm
- ◆ Operating Temperature : -30~+85 °C
- ◆ Working Distance : 300 m
- ◆ Dimension : 43*12.3*5 mm



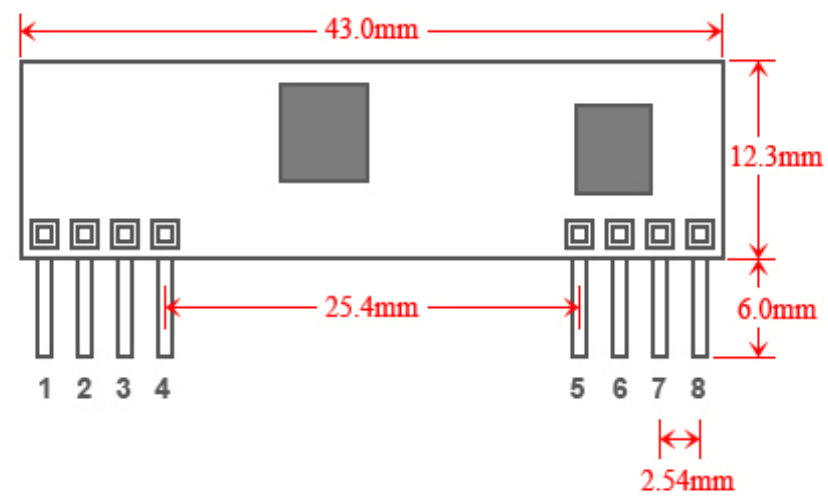
Application

- ◆ Car security system
- ◆ Remote keyless entry
- ◆ Garage door controller
- ◆ Home security
- ◆ Wireless mouse
- ◆ Automation system

Electrical Characteristics

Parameter	Symbol	Condition	Specification			Unit
			Min	Typical	Max	
Operating frequency	Fc		433.82	433.92	434.02	MHz
Modulation mode			ASK			
Sensitivity		1 Kbps / 50Ω		-114		dBm
Bandwidth				200		KHz
Turn on time	Ton				9	ms
Operating Voltage	VCC		4.5	5	5.75	V
Operating current	IRC				9.6	mA
Operating temperature			-30		85	°C

Pin Dimension



1. ANT 2. GND 3. GND 4. VCC 5. VCC 6. DATA 7. DATA 8. GND