

This document is the property of and embodies CONFIDENTIAL and PROPRIETARY information of FCI. No part of the information shown on this document may be used in any way or disclosed to others without the written consent of FCI.
Copyright FCI.



FCIconnect.com

FCI CONFIDENTIAL

List of "SFW__R-5/6STE1LF" customer document

| DOCUMENT NO. | LIST |
|--------------|---|
| SC-SFW12 | SPEC. |
| JSA95866 | CAT.NO.TABLE FOR 1mm SPACING SMT CONNECTOR (SFW__R-5/6ST__LF) |
| JSA95867 | 1mm SPACING SMT CONNECTOR (SFW__R-5ST__LF) |
| JSA95868 | 1mm SPACING SMT CONNECTOR (SFW__R-6ST__LF) |
| JSA95869 | CAT.NO.TABLE FOR PLASTIC TAPE PACKAGED 1mm SPACING SMT CONNECTOR (SFW__R-5/6STE1LF) |
| JSA95870 | PLASTIC TAPE PACKAGED 1mm SPACING SMT CONNECTOR (SFW__R-5STE1LF) |
| JSA95871 | PLASTIC TAPE PACKAGED 1mm SPACING SMT CONNECTOR (SFW__R-6STE1LF) |
| JSA91675 | RECOMMENDED CABLE (CIC) (SFW__R-5/6ST__) |

| | | | | | | | | |
|-------------|----------------|------|----------|---|----------------------------------|----------------|--|------------|
| mat'l. code | | | | surface ISO 1302 <input checked="" type="checkbox"/> | tolerance ISO 406 ISO 1101 | projection | product family 58RF | CODE JP |
| ltr | ecn no | dr | date | tolerances, unless otherwise specified | | | title | |
| A | J05-0055 | H.T | '05/2/4 | angles | linear | | 1mm SPACING CIC CONNECTOR DOCUMENT LIST (Cat. No. : SFW__R-5/6STE1LF) | |
| B | J06-039B | H.T | '9/26/06 | | | scale \times | dwg no sheet 1 of 1 size | |
| | | dr | | | | | JSA 96339 A4 | |
| | | enr | | | | | type Product Customer Drawing | |
| | | chr | | | | | | |
| | | appd | | | | | | |
| sheet index | revision sheet | B | 1 | | | | | Rev. B |

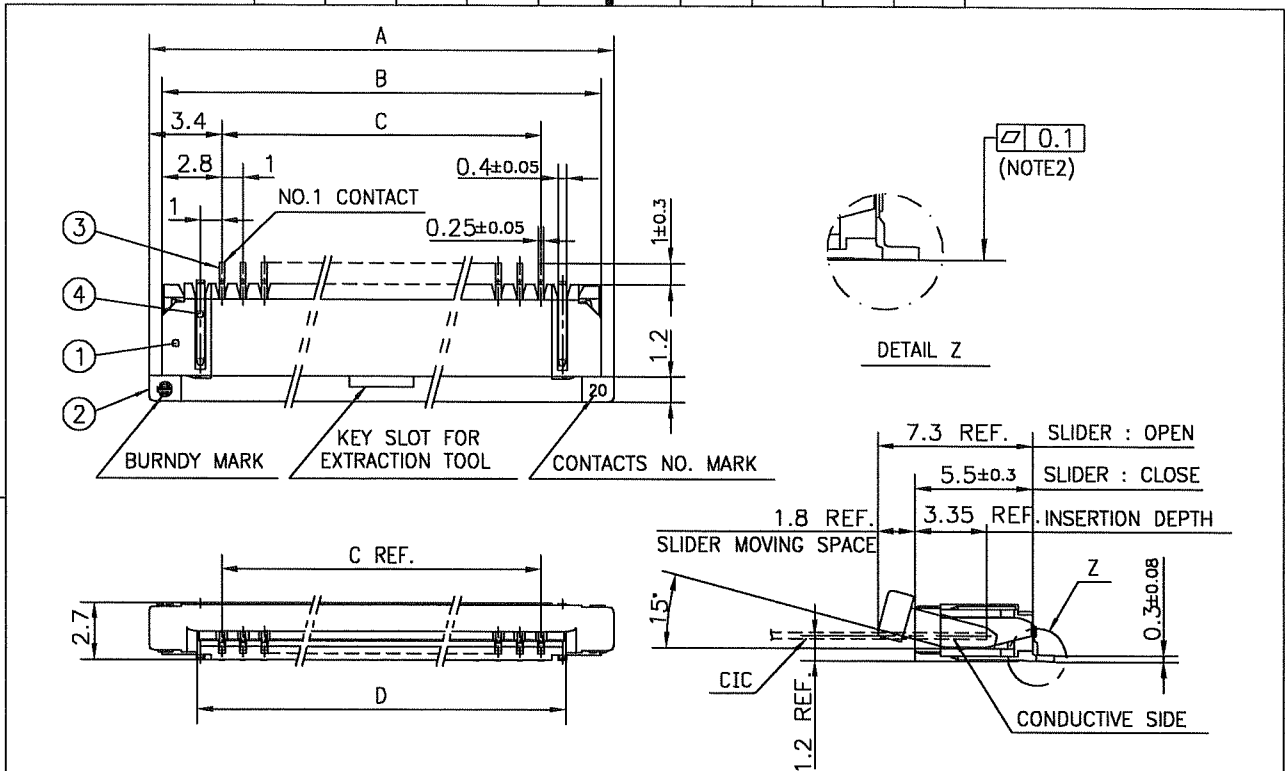
form: A4

1

2

FCI CONFIDENTIAL

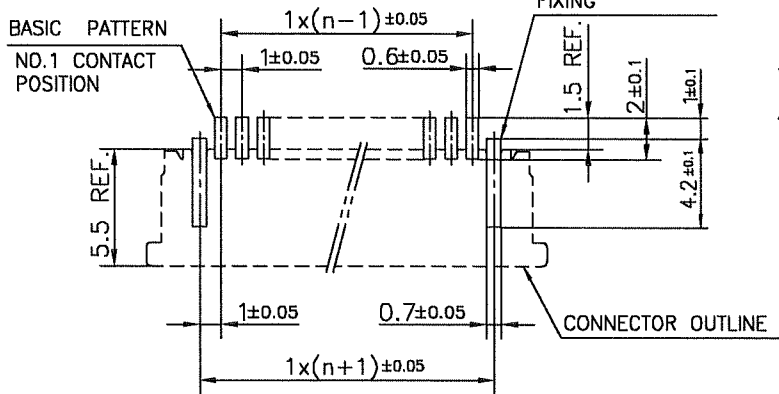
This document is the property of and embodies CONFIDENTIAL and PROPRIETARY information of FCI. No part of the information shown on this document may be used in any way or disclosed to others without the written consent of FCI.
Copyright FCI



| PT. NO. | PARTS NAME | MATERIAL | Q'TY | NOTE |
|---------|----------------|--------------------------------------|------|-------------|
| 1 | HOUSING | PPS RESIN GLASS REINFORCED (UL94V-0) | 1 | COLOR:BROWN |
| 2 | SLIDER | PPS RESIN GLASS REINFORCED (UL94V-0) | 1 | COLOR:BEIGE |
| 3 | CONTACT | PHOSPHOR BRONZE | n | PLATING:TIN |
| 4 | MOUNTING PLATE | | 2 | |

n : NO. OF CONTACTS
NOTES

RECOMMENDED PC BOARD LAYOUT
(COMPONENT SIDE)



- THIS PRODUCT IS THE CONNECTOR USED FOR CIC AND COPES WITH AUTOMATIC MOUNTING (SMT).
- FLATNESS FOR CONTACT TERMINAL HOUSING MUST BE WITHIN TOLERANCE IN Z PORTION DETAILED DRAWING.
- THIS PRODUCT IS LOWER CONTACT TYPE CONNECTOR.
- THIS PRODUCT MEETS EUROPEAN UNION DIRECTIVES AND OTHER COUNTRY REGULATIONS AS DESCRIBED IN GS-22-008
- THE HOUSING WILL WITHSTAND EXPOSURE TO 260°C PEAK TEMPERATURE FOR 10 SECONDS IN A REFLOW SOLDERING OVEN.

| | | | | | | |
|-------------|----------------|-----------------------|----------------------------------|---------------------------------------|--|------------|
| mat'l. code | | surface ISO 1302 ✓ | tolerance ISO 406 ISO 1101 | projection | product family 58RF | CODE JP |
| ltr | ecn no | dr | date | tolerances unless otherwise specified | title | |
| AA | J04-0180 | H.T | 7/2/'04 | ±0.2 | 1mm SPACING SMT CONNECTOR (Cat. No. SFW__R-5ST__LF) | |
| AB | J05-0055 | H.T | 2/4/'05 | angles linear | mm | |
| AC | J05-0736 | H.T | 10/28/'05 | | scale X | |
| AD | J06-0398 | H.T | 9/26/'06 | dr engr chr appd | dwg no sheet 1 of 1 size A4 | |
| | | | | type Product Customer Drawing | | |
| sheet index | revision sheet | AD | 1 | | | Rev. AD |

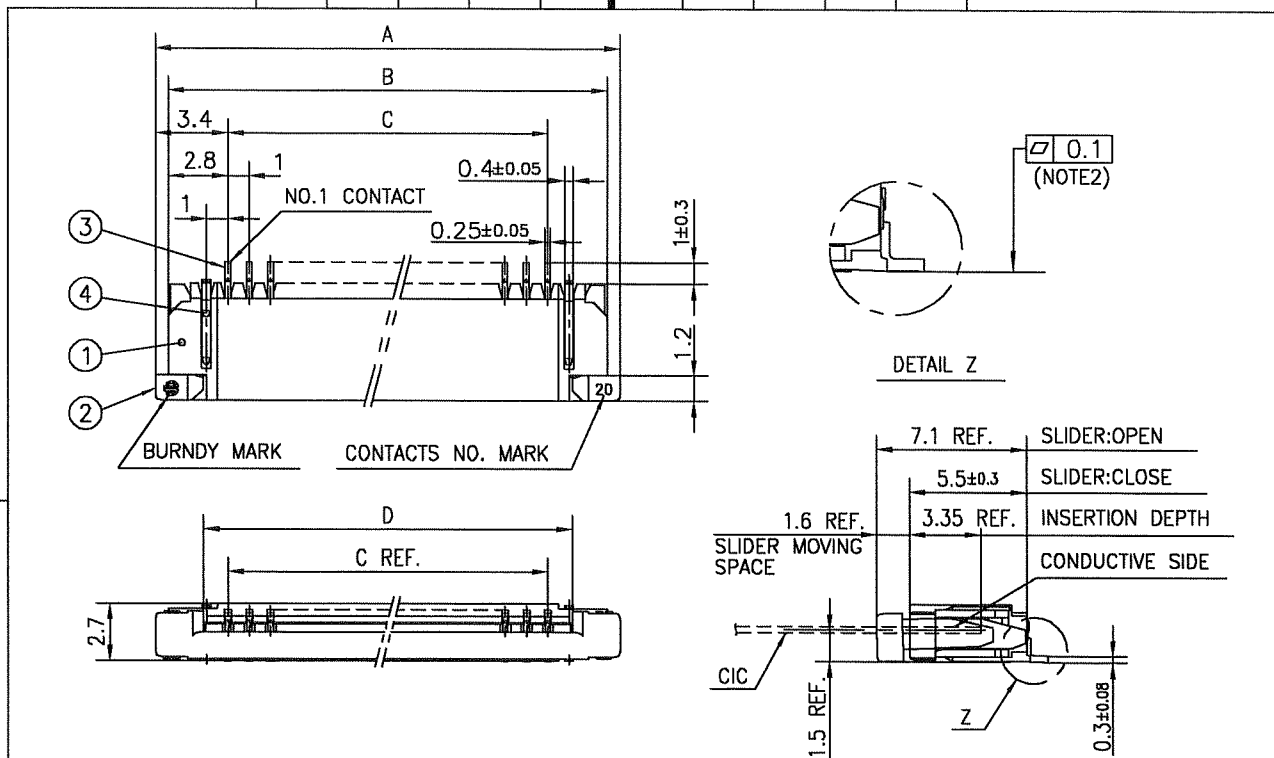
SC-SFW12 form: A4 JSA95866

FCI CONFIDENTIAL

This document is the property of and embodies CONFIDENTIAL and PROPRIETARY information of FCI. No part of the information shown on this document may be used in any way or disclosed to others without the written consent of FCI.
Copyright FCI



FCIconnect.com



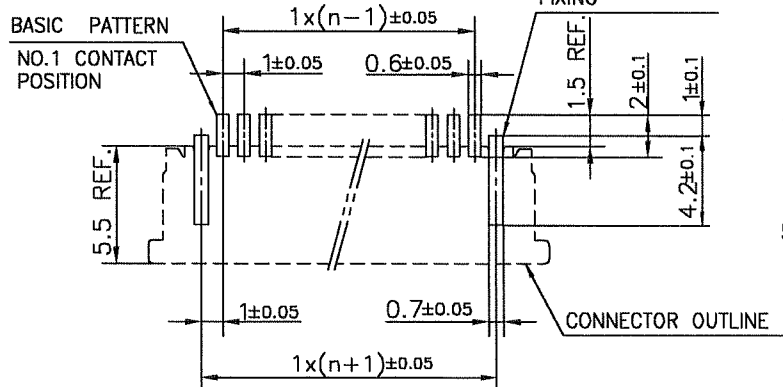
| PT. NO. | PARTS NAME | MATERIAL | Q'TY | NOTE |
|---------|----------------|--------------------------------------|------|-------------|
| 1 | HOUSING | PPS RESIN GLASS REINFORCED (UL94V-0) | 1 | COLOR:BROWN |
| 2 | SLIDER | | 1 | COLOR:BEIGE |
| 3 | CONTACT | PHOSPHOR BRONZE | n | PLATING:TIN |
| 4 | MOUNTING PLATE | | 2 | |

n : NO. OF CONTACTS

NOTES

1. THIS PRODUCT IS THE CONNECTOR USED FOR CIC AND COPES WITH AUTOMATIC MOUNTING (SMT).
2. FLATNESS FOR CONTACT TERMINAL HOUSING MUST BE WITHIN TOLERANCE IN Z PORTION DETAILED DRAWING.
3. THIS PRODUCT IS UPPER CONTACT TYPE CONNECTOR.
4. THIS PRODUCT MEETS EUROPEAN UNION DIRECTIVES AND OTHER COUNTRY REGULATIONS AS DISCRIBED IN GS-22-008
5. THE HOUSING WILL WITHSTAND EXPOSURE TO 260°C PEAK TEMPERATURE FOR 10 SECONDS IN A REFLOW SOLDERING OVEN.

RECOMMENDED PC BOARD LAYOUT (COMPONENT SIDE)

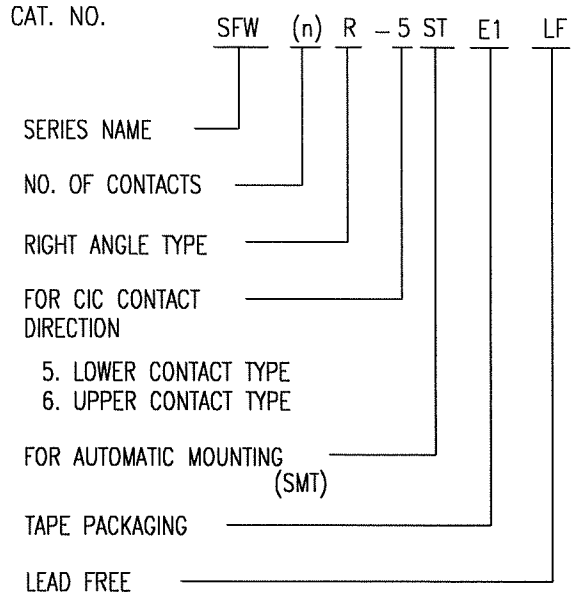


| | | | | | | | | |
|-------------|----------------|-----|-----------|---------------------------------------|----------------------------|----------------|---|---------|
| mat'l. code | | | | surface ISO 1302 ✓ | tolerance ISO 406 ISO 1101 | projection | product family 58RF | CODE JP |
| ltr | ecn no | dr | date | tolerances unless otherwise specified | | mm | title | |
| AA | J04-0180 | H.T | 7/2/'04 | angles | linear ±0.2 | | 1mm SPACING SMT CONNECTOR (Cat. No. SFW__R-6ST__LF) | |
| AB | J05-0055 | H.T | 2/4/'05 | | | scale \times | dwg no | |
| AC | J05-0736 | H.T | 10/28/'05 | | | | sheet 1 of 1 | |
| AD | J06-0398 | H.T | 9/26/'06 | dr | <i>H. Hoshino</i> 9/26/06 | | JSA 95868 | |
| | | | | enrg | <i>H. Hoshino</i> 9/26/06 | | size A4 | |
| | | | | chr | <i>R. Shouji</i> 9/27/06 | | type Product Customer Drawing | |
| | | | | appd | <i>S. Hoshino</i> 10/31/06 | | | |
| sheet index | revision sheet | AD | 1 | | | | | Rev. AD |

SC-SFW12 JSA95866 form: A4

CAT. NO. & DIMENSIONS

| NO. OF CONTACTS (n) | CAT. NO. (NOTE2) | DIMENSIONS (NOTE3) | | |
|---------------------|------------------|--------------------|---------|---------|
| | | E ± 5 | F ± 0.3 | G ± 0.1 |
| 4 | SFW4R-5/6STE1LF | 20.4 | 16 | — |
| 5 | SFW5R-5/6STE1LF | 28.4 | 24 | — |
| 6 | SFW6R-5/6STE1LF | 28.4 | 24 | — |
| 7 | SFW7R-5/6STE1LF | 28.4 | 24 | — |
| 8 | SFW8R-5/6STE1LF | 28.4 | 24 | — |
| 9 | SFW9R-5/6STE1LF | 28.4 | 24 | — |
| 10 | SFW10R-5/6STE1LF | 28.4 | 24 | — |
| 11 | SFW11R-5/6STE1LF | 28.4 | 24 | — |
| 12 | SFW12R-5/6STE1LF | 28.4 | 24 | — |
| 13 | SFW13R-5/6STE1LF | 36.4 | 32 | 28.4 |
| 14 | SFW14R-5/6STE1LF | 36.4 | 32 | 28.4 |
| 15 | SFW15R-5/6STE1LF | 36.4 | 32 | 28.4 |
| 16 | SFW16R-5/6STE1LF | 36.4 | 32 | 28.4 |
| 17 | SFW17R-5/6STE1LF | 48.4 | 44 | 40.4 |
| 18 | SFW18R-5/6STE1LF | 48.4 | 44 | 40.4 |
| 19 | SFW19R-5/6STE1LF | 48.4 | 44 | 40.4 |
| 20 | SFW20R-5/6STE1LF | 48.4 | 44 | 40.4 |
| 21 | SFW21R-5/6STE1LF | 48.4 | 44 | 40.4 |
| 22 | SFW22R-5/6STE1LF | 48.4 | 44 | 40.4 |
| 23 | SFW23R-5/6STE1LF | 48.4 | 44 | 40.4 |
| 24 | SFW24R-5/6STE1LF | 48.4 | 44 | 40.4 |
| 25 | SFW25R-5/6STE1LF | 48.4 | 44 | 40.4 |
| 26 | SFW26R-5/6STE1LF | 48.4 | 44 | 40.4 |
| 27 | SFW27R-5/6STE1LF | 48.4 | 44 | 40.4 |
| 28 | SFW28R-5/6STE1LF | 60.4 | 56 | 52.4 |
| 29 | SFW29R-5/6STE1LF | 60.4 | 56 | 52.4 |
| 30 | SFW30R-5/6STE1LF | 60.4 | 56 | 52.4 |



NOTES

1. THIS PRODUCT IS THE CONNECTOR USED FOR CIC AND COPEs WITH AUTOMATIC MOUNTING (SMT).
2. THIS CATALOG NO. INDICATES PLASTIC TAPE PACKAGED CONNECTOR.
3. SEE PART DRAWINGS FOR DIMENSIONS E~G.

| | | | | | | | | | | | | | |
|--------------------------|--|--|--|--|--|----------------------------|--|----------------|--|--|--|---------|--|
| mat'l. code | | | | surface ISO 1302 <input checked="" type="checkbox"/> | | tolerance ISO 406 ISO 1101 | | projection | | product family 58RF | | CODE JP | |
| ltr ecn no dr date | | | | tolerances unless otherwise specified | | angles linear | | mm | | title CAT. NO. TABLE FOR PLASTIC TAPE PACKAGED 1mm SPACING SMT CONNECTOR (CAT.NO. SFW__R-5/6STE1LF) | | | |
| AA J05-0055 H.T. 2/4/05 | | | | | | | | scale \times | | dwg no sheet 1 of 1 size | | | |
| AB J06-0398 H.T. 9/26/06 | | | | | | | | | | JSA 95869 A4 | | | |
| sheet index | | | | revision AB | | | | | | type Product Customer Drawing | | | |
| 1 | | | | 1 | | | | | | Rev. AB | | | |

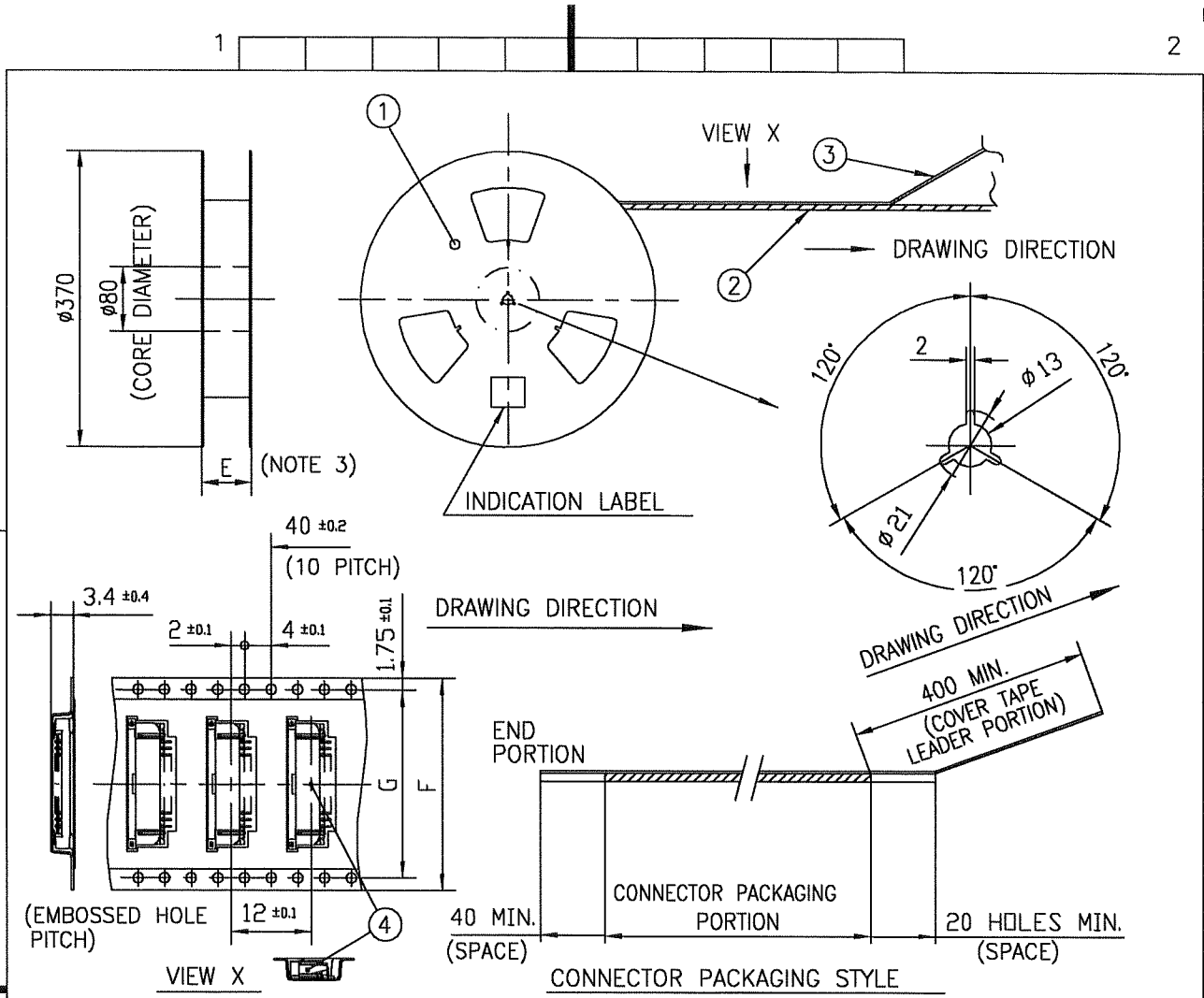
SC-SFW12 form: A4 JSA95866 95870 95871

FCI CONFIDENTIAL
 This document is the property of and embodies CONFIDENTIAL and PROPRIETARY information of FCI. No part of the information shown on this document may be used in any way or disclosed to others without the written consent of FCI.
 Copyright FCI
 FCI
 FCIconnect.com

FCI CONFIDENTIAL

FCI
FCconnect.com

This document is the property of and embodies CONFIDENTIAL and PROPRIETARY information of FCI. No part of the information shown on this document may be used in any way or disclosed to others without the written consent of FCI. Copyright FCI.



| PT. NO. | PARTS NAME | CAT. NO. | MATERIAL | Q'TY | NOTE |
|---------|-----------------------|---------------|------------------|-------|--------------------|
| 1 | REEL | _____ | CARDBOARD | 1 | COLOR:WHITE |
| 2 | PLASTIC (EMBOSS) TAPE | _____ | PET | _____ | COLOR:TRANSPARENCY |
| 3 | COVER | _____ | POLYESTER | _____ | COLOR:TRANSPARENCY |
| 4 | CONNECTOR | SFW__R-5ST_LF | SEE ATTACHED DWG | 2000 | LOWER CONTACT TYPE |

- NOTES
1. THIS IS PLASTIC TAPE PACKAGED CONNECTOR USED FOR CIC AND COPEs WITH AUTOMATIC MOUNTING (SMT).
 2. SEE JIS C 0806 (PACKING OF ELECTRONIC COMPONENTS ON CONTINUOUS TAPES (SURFACE MOUNTING DEVICES)) FOR SHAPE AND DIMENSIONS OF PLASTIC (EMBOSS) TAPE AND REEL.
 3. E DIMENSION IS PORTION OF THE CORE.

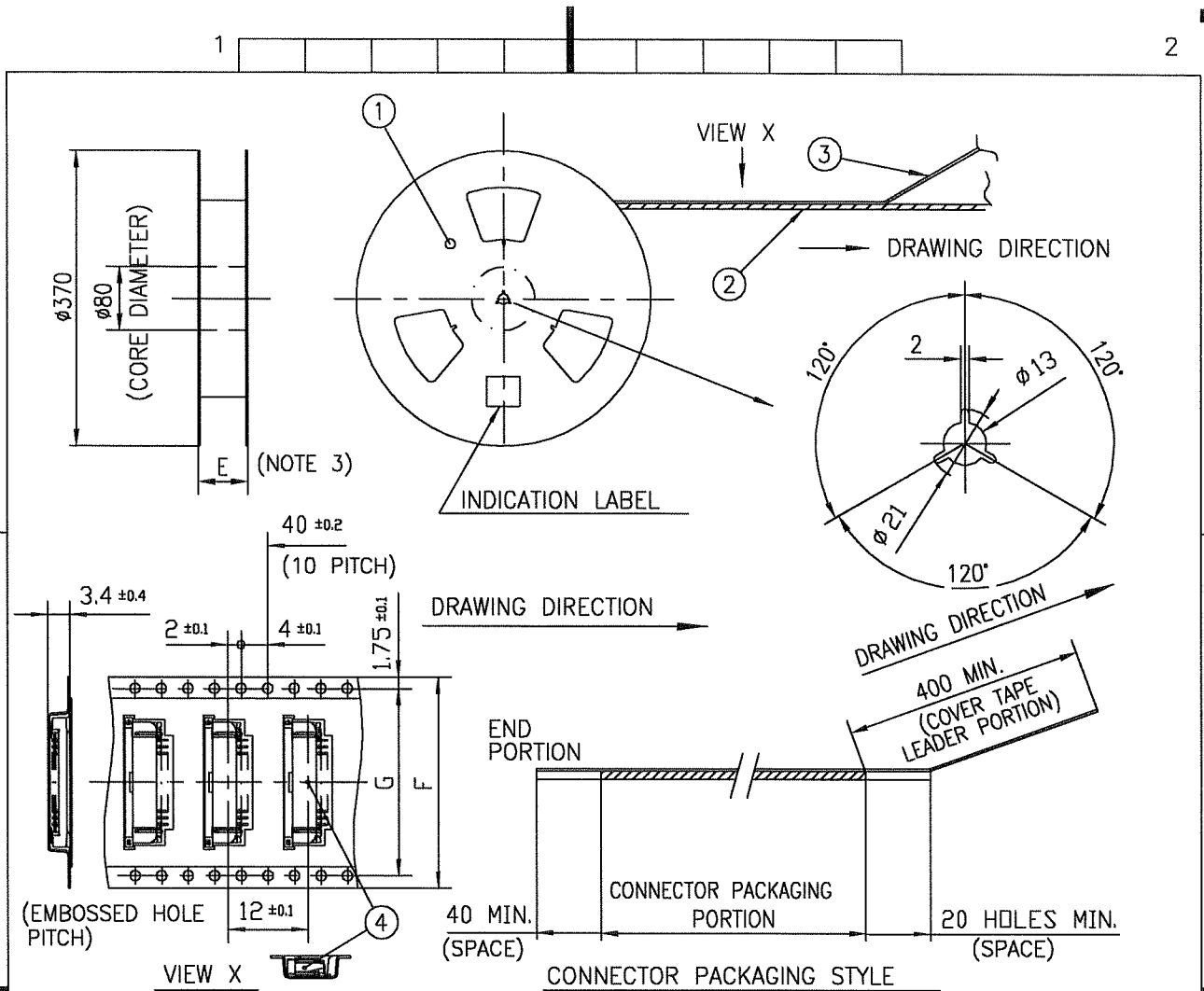
| | | | | | | | | | | | |
|-------------|----------------|--------------------|---------|--|--------|------------|--|-------------------------------|--|--------------|---------|
| mat'l. code | | surface ISO 1302 ✓ | | tolerance ISO 406 ISO 1101 | | projection | | product family 58RF | | CODE JP | |
| ltr | ecn no | dr | date | tolerances, unless otherwise specified | | mm | | title | | | |
| AA | J05-0055 | H.T. | 2/4/05 | angles | linear | ±5 | | PLASTIC TAPE PACKAGED | | | |
| AB | J06-0398 | H.T. | 9/26/06 | ±5' | | mm | | 1mm SPACING SMT CONNECTOR | | | |
| | | | | | | scale X | | (CAT. NO. SFW__R-5STE1LF) | | | |
| | | | | dr | engr | FCI | | dwg no | | sheet 1 of 1 | size |
| | | | | chr | appd | | | JSA 95870 | | | A4 |
| | | | | | | | | type Product Customer Drawing | | | |
| sheet index | revision sheet | AB | 1 | | | | | | | | Rev. AB |

SC-SFW12 form: A4 JSA95869

FCI CONFIDENTIAL



This document is the property of and embodies CONFIDENTIAL and PROPRIETARY information of FCI. No part of the information shown on this document may be used in any way or disclosed to others without the written consent of FCI.
Copyright FCI.



| PT. NO. | PARTS NAME | CAT. NO. | MATERIAL | Q'TY | NOTE |
|---------|-----------------------|----------------|------------------|------|--------------------|
| 1 | REEL | --- | CARDBOARD | 1 | COLOR:WHITE |
| 2 | PLASTIC (EMBOSS) TAPE | --- | PET | --- | COLOR:TRANSPARENCY |
| 3 | COVER | --- | POLYESTER | --- | COLOR:TRANSPARENCY |
| 4 | CONNECTOR | SFW__R-6ST__LF | SEE ATTACHED DWG | 2000 | UPPER CONTACT TYPE |

NOTES

1. THIS IS PLASTIC TAPE PACKAGED CONNECTOR USED FOR CIC AND COPES WITH AUTOMATIC MOUNTING (SMT).
2. SEE JIS C 0806 (PACKING OF ELECTRONIC COMPONENTS ON CONTINUOUS TAPES (SURFACE MOUNTING DEVICES)) FOR SHAPE AND DIMENSIONS OF PLASTIC (EMBOSS) TAPE AND REEL.
3. E DIMENSION IS PORTION OF THE CORE.

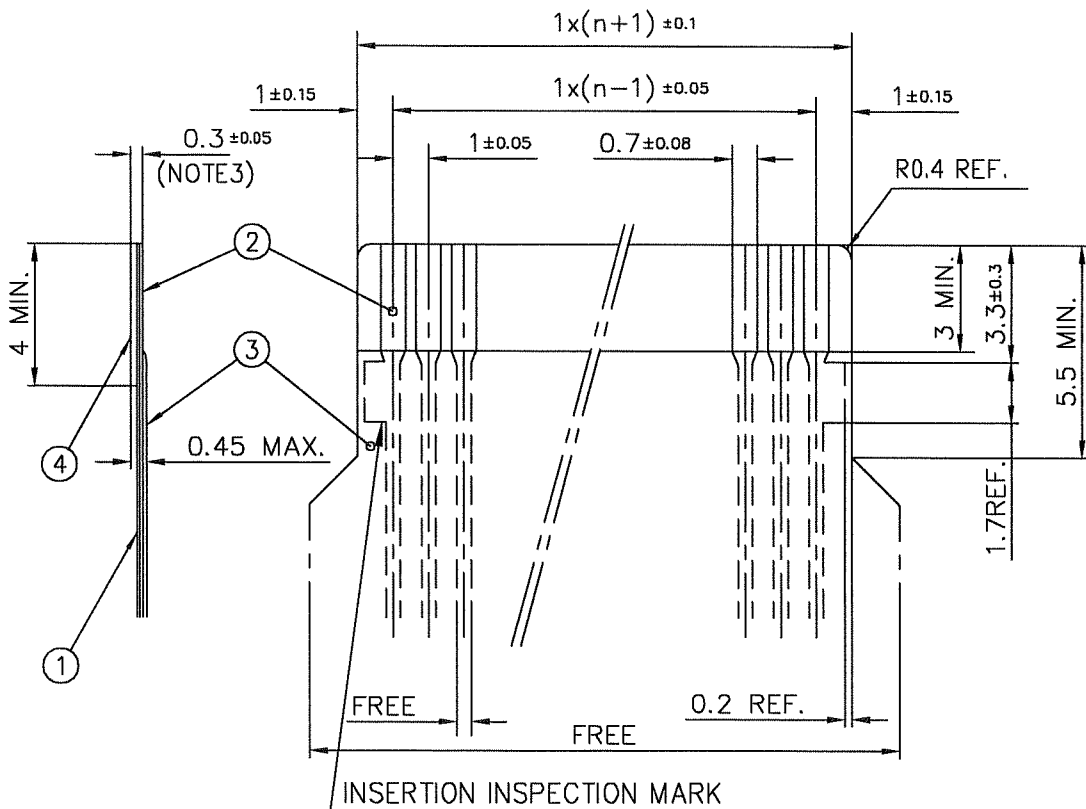
| | | | | | | | | | | | |
|-------------|----------------|--------------------|---------|---------------------------------------|--------|------------|--|--|--|--------------------------|--|
| mat'l. code | | surface ISO 1302 ✓ | | tolerance ISO 406 ISO 1101 | | projection | | product family 58RF | | CODE JP | |
| ltr | ecn no | dr | date | tolerances unless otherwise specified | | mm | | title | | | |
| AA | J05-0055 | H.T. | 2/4/05 | angles | linear | mm | | PLASTIC TAPE PACKAGED 1mm SPACING SMT CONNECTOR (CAT.NO. SFW__R-6STE1LF) | | | |
| AB | J06-0398 | H.T. | 9/26/06 | ±5° | | scale X | | dwg no | | sheet 1 of 1 size | |
| | | | | dr | | FCI | | JSA 95871 | | A4 | |
| | | | | enr | | | | type | | Product Customer Drawing | |
| | | | | chr | | | | | | Rev. | |
| | | | | app | | | | | | AB | |
| sheet index | revision sheet | AB | 1 | | | | | | | | |

FCI CONFIDENTIAL

This document is the property of and embodies CONFIDENTIAL and PROPRIETARY information of FCI. No part of the information shown on this document may be used in any way or disclosed to others without the written consent of FCI. Copyright FCI.

RECOMMENDED CABLE (CIC)

n: NO. OF CONDUCTOR



| PT. NO. | PARTS NAME | MATERIAL | THICKNESS (μm) | |
|---------|-----------------|---------------------------------|-----------------------------|-----|
| | | | | |
| 1 | BASE FILM | POLYESTER OR EQUAL | 75 | 25 |
| 2 | CONDUCTOR | CARBON PASTE OVER SILVER PASTE | 10 MIN. | |
| 3 | OVERLAY | POLYIMIDE OR POLYESTER OR EQUAL | — | |
| 4 | SUPPORTING TAPE | POLYESTER OR POLYIMIDE OR EQUAL | 188 | 250 |

- NOTES
1. NO BURR AT EACH PORTION.
 2. NO PEELING IN COMMON USE.
 3. TOTAL THICKNESS LIMIT OF EACH MATERIAL (INCLUDING ADHESIVE AGENT) IS SPECIFIED.

| | | | | | | | | | |
|-------------|----------------|------|----------|---|----------------------------------|----------------|---|------------|---------|
| mat'l. code | | | | surface ISO 1302 <input checked="" type="checkbox"/> | tolerance ISO 406 ISO 1101 | projection | product family 58RF | CODE JP | |
| ltr | ecn no | dr | date | tolerances, unless otherwise specified | | mm | title RECOMMENDED CABLE (Cat. No. SFW__R-5/6__) | | |
| 1 | — | — | 4/12/'93 | angles | linear | | dwg no JSA 91675 | | |
| AA | J05-0055 | H.T. | 2/4/'05 | | | scale \times | sheet 1 of 1 | size A4 | |
| AB | J06-0398 | H.T. | 9/26/'06 | | | | type Product Customer Drawing | | |
| | | | | dr | <i>H. H. H.</i> | 9/26/06 | | | |
| | | | | enr | <i>H. H. H.</i> | 9/26/06 | | | |
| | | | | chr | <i>R. Shouji</i> | 9/27/06 | | | |
| | | | | appd | <i>S. Kudaru</i> | 10/31/06 | | | |
| sheet index | revision sheet | AB | 1 | | | | | | Rev. AB |