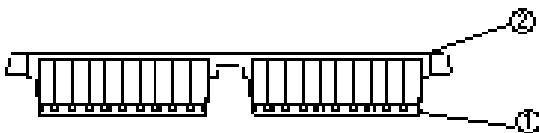
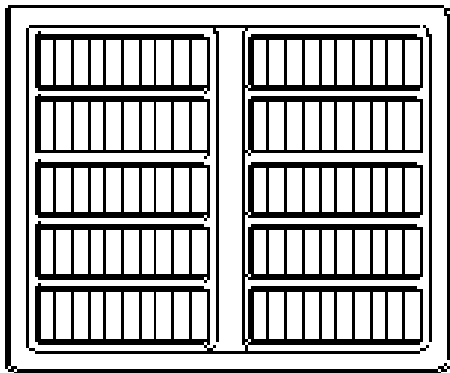
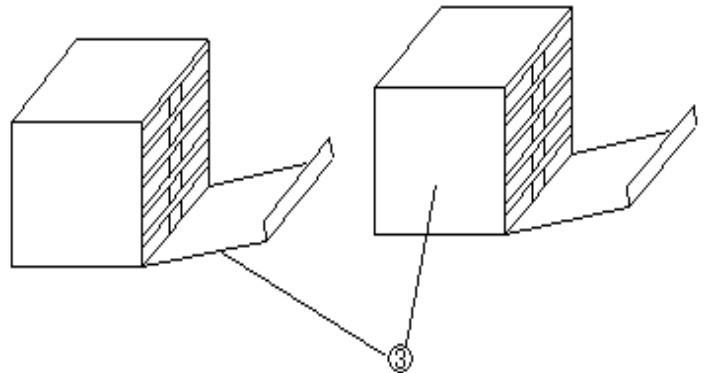


OJ / OJE PACKAGE SPEC (OJ / OJE PACKING CONDITION)

1.Inner Package

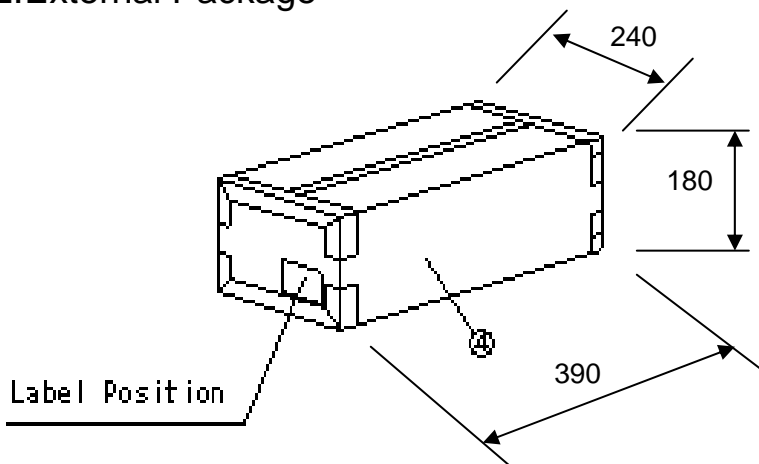


100 pcs / 1Tray
(Material : PVC)



100 pcs / 1Tray x 10Trays
Total : 1,000 pcs

2.External Package



Total : 1,000 pcs / Shipping Box
Gross : 7.28 kg

Dimensions unit : mm

ITEM No	DESCRIPTION	AMP PART No.	QTY.
①	TRAY	3-1440806-6	10
②	LID	3-1440806-7	10
③	INSIDE CARTON	3-1440806-2	2
④	OUTSIDE CARTON	3-1440806-4	1