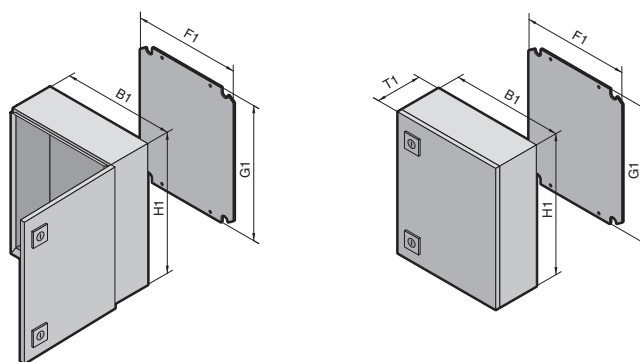


Compact enclosures AE

Width: 380 – 800, height: 500 – 1000



Compact enclosures AE 1.2

Material:
Sheet steel

Surface finish:
Enclosure and door:
Dipcoat-primed,
powder-coated on the outside in
textured RAL 7035
Mounting plate: Zinc-plated

Protection category:
to EN 60 529/10.91:
IP 56,
IP 66 for AE 1038.500,
AE 1338.500, AE 1045.500,
AE 1050.500, AE 1350.500,
AE 1060.500, AE 1360.500,
Complies with NEMA 4.

Supply includes:
Enclosure of all-round solid construction, single door,
1 gland plate in the enclosure base,
r/h door hinge,
may be swapped to opposite side,
with 2 cam locks,
foamed-in door seal,
zinc-plated mounting plate.

Approvals,
see page 26.
Detailed drawing,
see page 1083.

Width (B1) in mm	Packs of	380	380	400	500	500	500	600	600
Height (H1) in mm		600	600	500	500	500	700	600	600
Depth (T1) in mm		210	350	210	210	300	250	210	350
Mounting plate width (F1) in mm		334	334	354	449	449	449	549	549
Mounting plate height (G1) in mm		570	570	475	470	470	670	570	570
Mounting plate thickness in mm		2.5	2.5	2.0	2.5	2.5	3.0	2.5	2.5
Model No. AE	1	1038.500	1338.500	1045.500	1050.500	1350.500	1057.500	1060.500	1360.500
Weight (kg)		15.6	19.4	13.0	16.8	19.6	31.2	22.8	28.4

Width (B1) in mm	Packs of	600	600	600	600	760	760	800
Height (H1) in mm		760	760	800	1000	760	760	1000
Depth (T1) in mm		210	350	250	250	210	300	300
Mounting plate width (F1) in mm		549	549	549	539	704	704	739
Mounting plate height (G1) in mm		730	730	770	955	730	730	955
Mounting plate thickness in mm		3.0	3.0	3.0	3.0	3.0	3.0	3.0
Model No. AE	1	1076.500	1376.500	1058.500	1090.500	1077.500	1073.500	1180.500
Weight (kg)		32.1	36.0	34.2	50.5	40.0	44.5	57.0

Lock systems

Standard double-bit lock insert may be exchanged for 27 mm lock inserts, type A, see page 888, lock cylinder, plastic handles and T handles, type B, see page 886 – 889.

To order enclosures in textured RAL 7032 please add extension .600 to the Model No., and for primed enclosures use extension .800. Delivery times available on request.



Metal gland plates,
pre-punched,
Model No. see page 968.



Plastic wiring plan pocket,
screw-fastened,
Model No. see page 897.