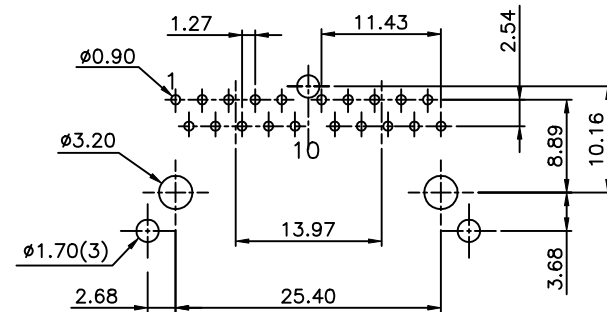
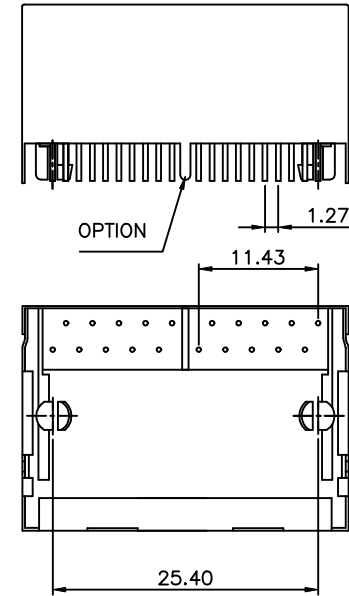
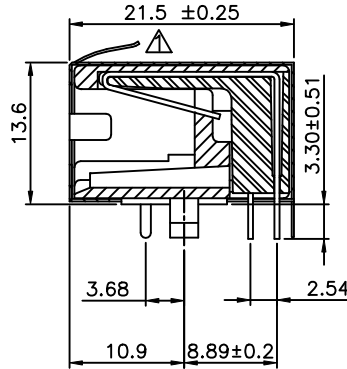
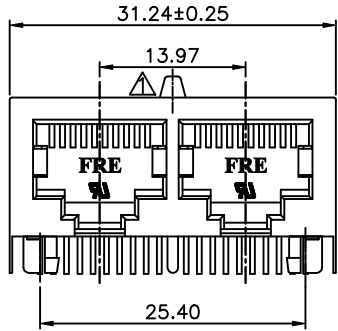


A1RFRD10

REVISION RECORD				
REV	ECO	DESCRIPTION	DRFT	CHKD
△		ADD PART NO.	QIANFU	7/23/04'



NOTES:

ELECTRICAL:

- VOLTAGE RATING : 125 VAC RMS.
- CURRENT RATING : 1.5 AMP.
- CONTACT RESISTANCE : 35 MILLIOHMS MAX.
- INSULATION RESISTANCE: 1000 MEGOHMS MIN @ 500 VDC.
- DIELECTRIC STRENGTH : 1000 VAC RMS 60Hz, 1MIN.

MECHANICAL:

- HOUSING MATERIAL : GLASS FILLED POLYESTER UL94V-0.
- CONTACT MATERIAL : PHOSPHOR BRONZE ϕ 0.46mm.
- PLATING : GOLD PLATING OVER NICKEL.
- OPERATING LIFE : 750 CYCLES MIN.
- PCB RETENTION PRE-SOLDER : 1 LB MIN.
- PCB RETENTION POST-SOLDER: 10 LBS MIN.

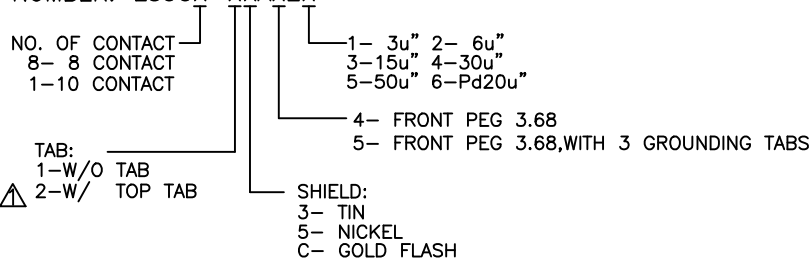
ENVIRONMENTAL:

- STORAGE : -40°C TO +85°C.
- OPERATION: 0°C TO 70°C.

MATES WITH MODULAR PLUG CONFORMING TO
FCC PART 68, SUBPART F.

CUL FILE NO. E163191

PART NUMBER: E590X-XXAX2X



PC Board Layout Component Side Shown

DETACHED LISTS	MM (INCH)	DFTO CHI	DATE 12/20/00'	FULL RISE ELECTRONIC CO., LTD		
	TOLERANCES EXCEPT AS NOTED	CHKD SAMMY	DATE 2004/7/23			
	MM	MFO	DATE	TITLE 20.57 PCB JACK		
	.0 ±0.20	APPV'L CZH	DATE 2004/7/23			
.00 ±0.15	MATERIAL :	DRAWING NO. GE593A97		SIZE	REV	
.000 ±0.075	ANGLES ±	QTY :	/PART NO. SEE NOTE		A3	1
THIRD ANGLE PROJECTION	FINISH :	SCALE : 2:1	DO NOT SCALE DRAWING		SHEET X	OF Y