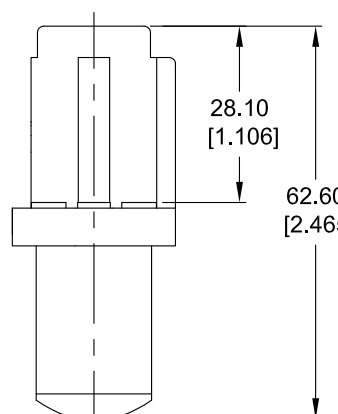
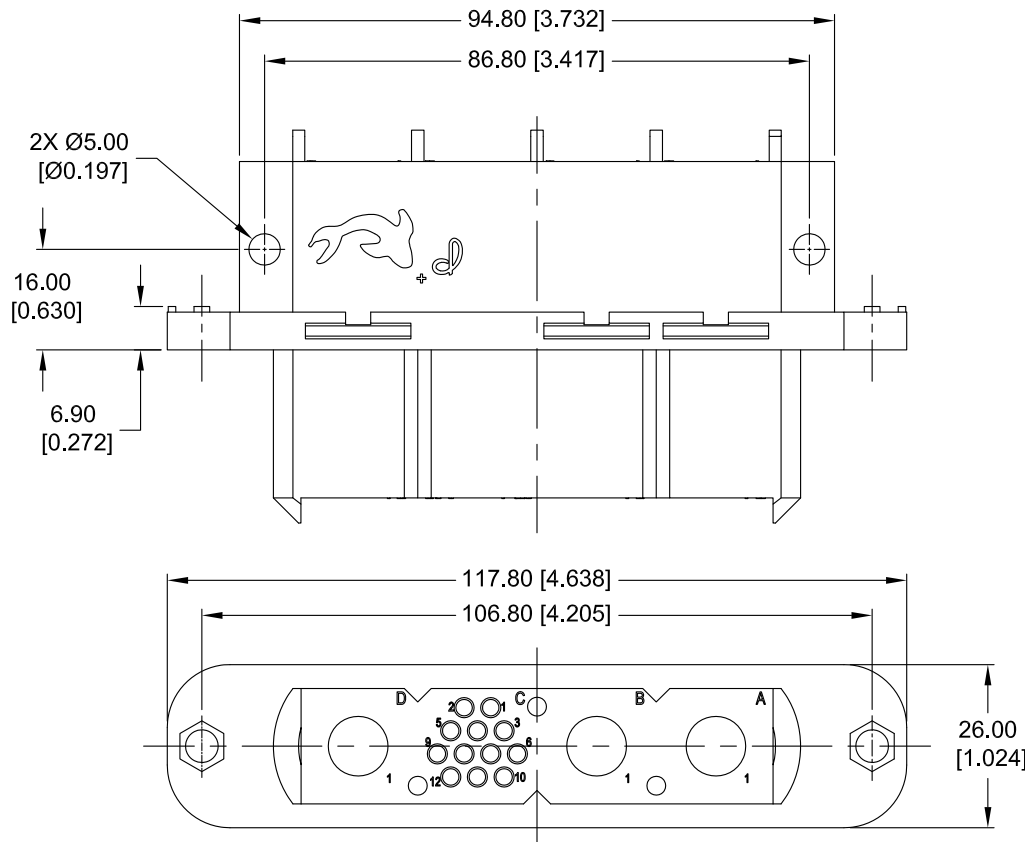


POSITRONIC ASIA PTE. LTD. BELIEVES THE DATA ON THE DRAWING TO BE RELIABLE. SINCE THE TECHNICAL INFORMATION IS GIVEN FREE OF CHARGE, THE USER EMPLOYS SUCH INFORMATION AT HIS OWN DISCRETION AND RISK. POSITRONIC ASIA PTE. LTD. ASSUMES NO RESPONSIBILITY FOR RESULTS OBTAINED OR DAMAGES INCURRED FROM USE OF SUCH INFORMATION IN WHOLE OR IN PART.

DATE	REV	REVISION RECORD	DRN	CKD	APP
17 FEB 09	NC	PA ECO 09028	KD	HM	NK



DRAWING NO.	PART NUMBER	REMARKS
ASK21910-1	GG8868F10	-
ASK21910-2	GG8868F10/AA	RoHS COMPLIANT PER RoHS DIRECTIVE 2002/95/EC OF 27 JAN 2003.



POSITRONIC ASIA PTE. LTD.
 3014A UBI ROAD 1, #07-01. SINGAPORE 408703.
 Tel: (65) 6842-1419 / Fax: (65) 6842-1421 / Email: singapore@connectpositronic.com

 GENERAL TOL. LINEAR : ±0.38 [0.015] ANGULAR : ±5°	SERIES	SCALE	DRAWN	CHECKED	APPROVED
	GG	NTS	KD	HM	NK
UNLESS OTHERWISE SPECIFIED, ALL DIMENSIONS ARE IN MILLIMETERS [INCHES]	TITLE		REV.		
	GG8868F10 GG8868F10/AA		DATE	DRAWING NUMBER	SHEET 01 OF 01
		17 FEB 09	ASK21910-*	NC	

NOTES:

- MATERIALS AND FINISHES:
 INSULATOR: GLASS FILLED NYLON 6-6, UL 94V-0. COLOR: GOLD.
 CONTACTS: PRECISION MACHINED COPPER ALLOY WITH GOLD FLASH OVER NICKEL.
 CONTACTS ORDERED SEPARATELY.