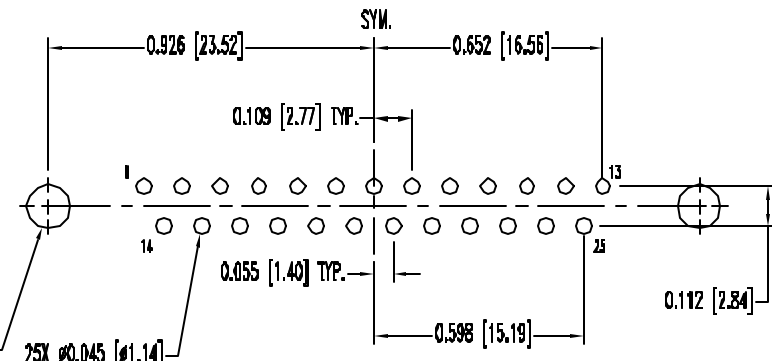
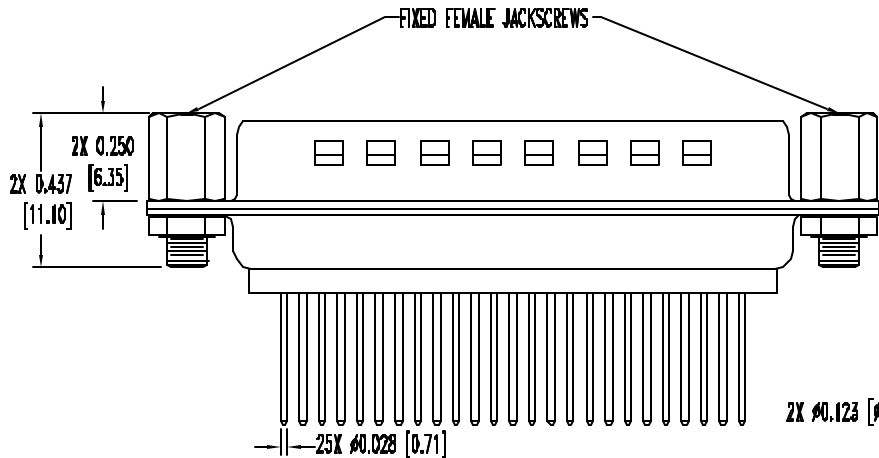
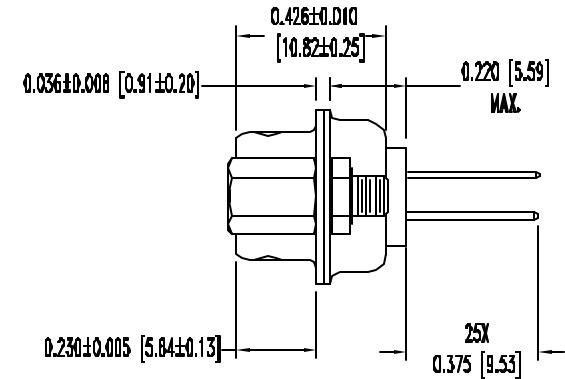
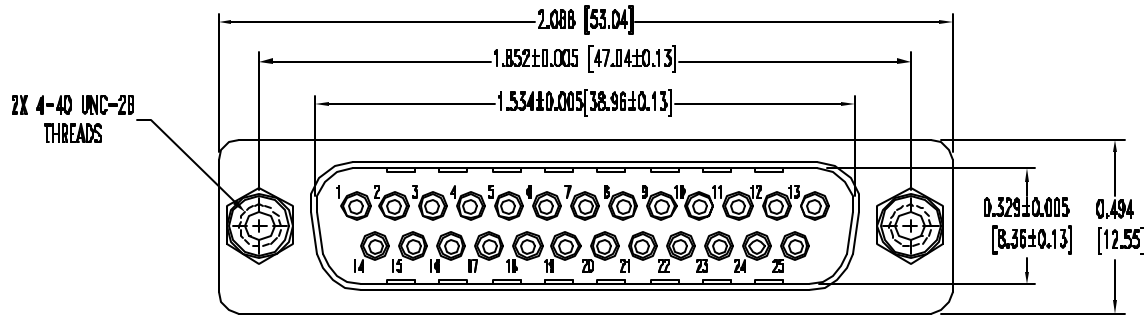


POSITRONIC INDUSTRIES BELIEVES THE DATA ON THIS DRAWING TO BE RELIABLE, SINCE THE TECHNICAL INFORMATION IS GIVEN FREE OF CHARGE, THE USER EMPLOYEES SUCH INFORMATION AT HIS OWN DISCRETION AND RISK. POSITRONIC INDUSTRIES ASSUMES NO RESPONSIBILITY FOR RESULTS OBTAINED OR DAMAGES INCURRED FROM USE OF SUCH INFORMATION IN WHOLE OR IN PART.

SK3841

DATE	REV	REVISION RECORD	APP	DR	CK
7-17-01	NC	ECO 18046		ME	



NOTES:

1. MATERIALS AND FINISHES:

- INSULATOR: GLASS FILLED DAP PER ASTM-D-5948, TYPE SDG-F, UL 94V-0, ASTM E-595, NASA-PP-1124, GREEN COLOR.
- CONTACTS: PRECISION-MACHINED BRASS ALLOY, 0.000050 [1.27μ] GOLD OVER COPPER PLATE.
- SHELLS: BRASS, 0.000050 [1.27μ] GOLD OVER COPPER PLATE.
- JACKSCREW SYSTEMS: BRASS, 0.000050 [1.27μ] GOLD OVER COPPER PLATE.

2. ELECTRICAL CHARACTERISTICS:

- CONTACT CURRENT RATING: 7.5 AMPERES NOMINAL.
- INITIAL CONTACT RESISTANCE: 0.005 OHMS MAXIMUM.
- INSULATOR RESISTANCE: 5 G OHMS.
- WORKING VOLTAGE: 300 V r.m.s.

- 3. TEMPERATURE RANGE: -55°C TO +125°C.
- 4. DIMENSIONS ARE IN INCHES [MILLIMETERS].

CONTACT HOLE PATTERN

		POSITRONIC INDUSTRIES INC. www.connectpositronic.com	
		SCALE N.T.S.	DRAWN BY M. ENBA
DECIMAL TOL. ± 0.015 [0.38]	SND SERIES	APPROVED BY	
WF # 378B	TITLE SND25M3200TD		
ANGULAR TOL. ± 5°	DATE 7-17-01	DRAWING NUMBER SK3841	REV. NC