

LL-41 MELF SMD



1 Amp Schottky Rectifier

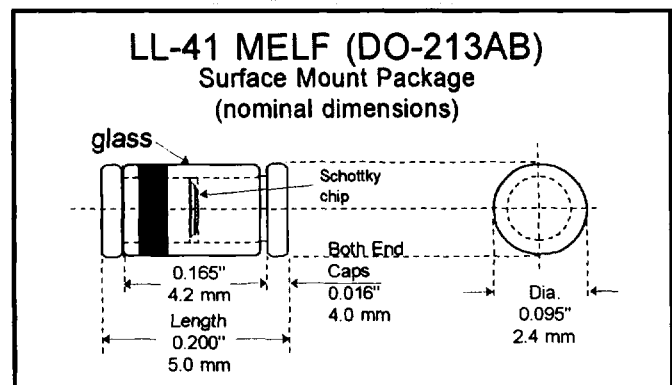
Use Advantages

Low forward voltage drop. Low cost replacement for SMB (same footprint). Fast switching due to majority carrier conduction which results in high operating efficiencies because of low power loss.

Used in low voltage power supplies, high frequency inverters and converters, surge protection and steering diode applications. May also be used in small efficient motors such as those used in CD ROMs or hard disk drives, where space is a major consideration.

Features

- Humidity proof glass
- Thermally matched system
- High surge capability
- No applications restrictions
- Sigma Bond™ plated contacts
- 100% guaranteed solderability
- Six Sigma quality
- DO-41 leaded glass package available



| Absolute Maximum Ratings | Symbol | Value | Unit |
|--|-----------------|-------------|--------------|
| Average Rectified Current at $T_{End\ Cap} = 90\ ^\circ C$ | I_{AV} | 1.0 | Amps |
| Forward Surge Current, one 1/2 cycle @ 60 HRz & $T = 70\ ^\circ C$ | I_{FSM} | 25 | Amps |
| Junction Temperature | T_J | -65 to +125 | $^\circ C$ |
| Storage Temperature Range | T_S | -65 to +150 | $^\circ C$ |
| Thermal Resistance from Junction to Ambient | $R_{\theta JA}$ | 80 | $^\circ C/W$ |

Electrical Characteristics @ 25 °C

| Type | Peak Inverse Voltage (MIN.) (PIV) Volts | Maximum Average Rectified Current (I_O) Amp | Maximum Forward Voltage Drop | | | Maximum Reverse Leakage Current @ PIV | |
|---------|--|--|------------------------------|---------------------------|---------------------------|---------------------------------------|-------------------------|
| | | | (V_F) @ 100mA Volts | (V_F) @ 1.0A Volts | (V_F) @ 3.0A Volts | (I_R) @ 25°C mA | (I_R) @ 100°C mA |
| MBRL115 | 15 | 1.0 | 0.35 | 0.55 | 0.85 | 1.0 | 10 |
| MBRL120 | 20 | 1.0 | 0.35 | 0.55 | 0.85 | 1.0 | 10 |
| MBRL130 | 30 | 1.0 | 0.35 | 0.55 | 0.85 | 1.0 | 10 |
| MBRL140 | 40 | 1.0 | 0.35 | 0.60 | 0.90 | 1.0 | 10 |
| MBRL150 | 50 | 1.0 | 0.35 | 0.60 | 0.90 | 1.0 | 10 |

To order a DO-41 leaded glass package, remove the "L" in the part number.



6 Lake Street
Lawrence, MA
USA 01841

BKCSS030