

# PanPlug™ 28 AWG UTP Modular Plug

## specifications

Category 5e/Class D, 8-position, 8-wire, UTP modular plug shall terminate most 4-pair, 28 AWG, 100 ohm, solid or stranded, unshielded twisted pair cable with maximum conductor insulation diameter of 0.024 in. (0.61mm). Pair manager shall simplify termination and shall provide strain relief for small diameter, 28 AWG cable. Modular plug shall terminate to T568A and T568B wiring schemes.



## technical information

<b>IEC compliance:</b>	IEC 60603-7
<b>RoHS compliance:</b>	Compliant
<b>Conductor termination:</b>	Compatible with most 28 AWG solid or stranded cable cables with 0.140 in. to 0.160 in. (3.55mm to 4.06mm) outer jacket diameter and 0.024 in. (0.61mm) maximum conductor insulation diameter
<b>Operating temperature:</b>	-14°F to 140°F (-10°C to 60°C)
<b>Storage temperature:</b>	-40°F to 158°F (-40°C to 70°C)
<b>Plug Housing:</b>	UL94V-0 rated clear Polycarbonate
<b>Contacts:</b>	Gold plated phosphor bronze

## key features and benefits

<b>Patented tangle-free latch</b>	Prevents snags and provides easy release, saving time and providing reliability on frequent moves, adds, and changes
<b>Robust construction</b>	Rated to 2500 mating cycles

### PanPlug™ UTP Modular Plug

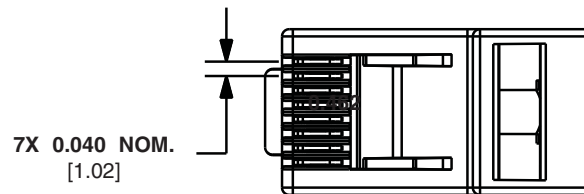
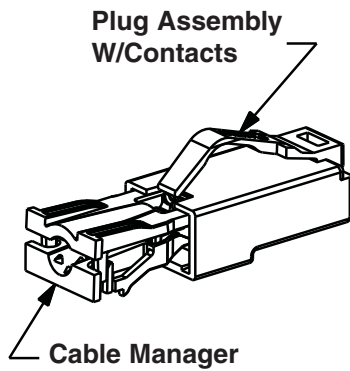
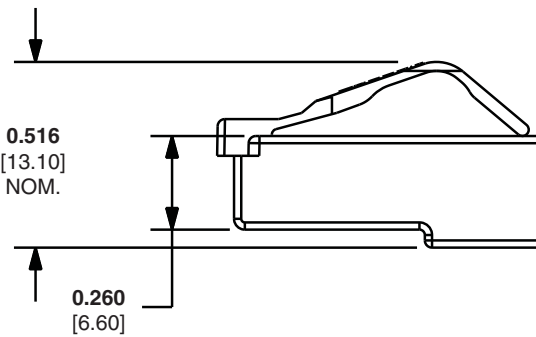
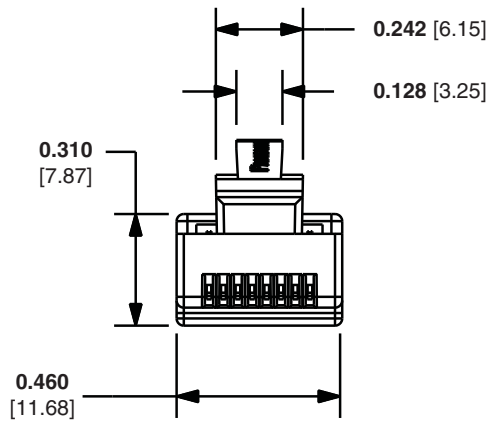
<b>50/pack:</b>	MP528-L
<b>100/pack:</b>	MP528-C
<b>1000/pack:</b>	MP528-M

### Tools and Accessories

<b>Small gauge plug assembly tool:</b>	SGPT
<b>Crimp tool:</b>	MPT5-8AS
<b>Wire prep tool:</b>	WPT-8
<b>Standard RJ45 plug lock-in device:</b>	PSL-DCPLX^
<b>Recessed RJ45 plug lock-in device:</b>	PSL-DCPLRX^

^For colors other than Red, add suffix -BL (Black), -BU (Blue), -GR (Green), -YL (Yellow), -OR (Orange), IW (International White), or -IG (International Gray) to the end of the part number.  
10/package. Add -C for bulk packages of 100.

# PanPlug™ 28 AWG UTP Modular Plug



Dimensions are in inches. [Dimensions in brackets are metric].

## WORLDWIDE SUBSIDIARIES AND SALES OFFICES

PANDUIT CANADA  
Markham, Ontario  
cs-cdn@panduit.com  
Phone: 800.777.3300

PANDUIT EUROPE LTD.  
London, UK  
cs-emea@panduit.com  
Phone: 44.20.8601.7200

PANDUIT SINGAPORE PTE. LTD.  
Republic of Singapore  
cs-ap@panduit.com  
Phone: 65.6305.7575

PANDUIT JAPAN  
Tokyo, Japan  
cs-japan@panduit.com  
Phone: 81.3.6863.6000

PANDUIT LATIN AMERICA  
Guadalajara, Mexico  
cs-la@panduit.com  
Phone: 52.33.3777.6000

PANDUIT AUSTRALIA PTY. LTD.  
Victoria, Australia  
cs-aus@panduit.com  
Phone: 61.3.9794.9020

For a copy of Panduit product warranties, log on to [www.panduit.com/warranty](http://www.panduit.com/warranty)

For more information

Visit us at [www.panduit.com](http://www.panduit.com)

Contact Customer Service by email: [cs@panduit.com](mailto:cs@panduit.com)  
or by phone: 800.777.3300 and reference COSP213

©2011 Panduit Corp.  
ALL RIGHTS RESERVED.

WW-COSP213

10/2011

# Mouser Electronics

Authorized Distributor

Click to View Pricing, Inventory, Delivery & Lifecycle Information:

[Panduit:](#)

[MP528-C](#)