

### Sensitivity Wavelength Range: 800nm ~ 1750nm

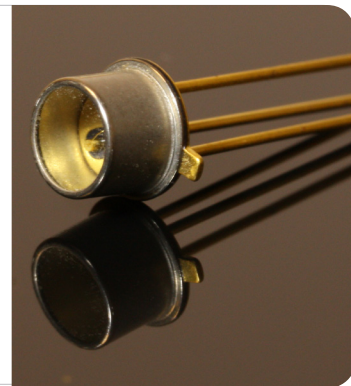
The 1346 series from Marktech, a high sensitivity and high reliability product series, is ideally suited for Optical Communication devices. Custom packaging options for this die are also available.

#### FEATURES

- > High Speed Response
- > TO-46 Metal Can Package
- > Active Area of 1.5mm / High Sensitivity
- > Spectral Range 800nm -- 1750nm

#### APPLICATIONS

- > High Speed Optical Communications
- > Optical LAN
- > Optical Switches
- > Ethernet Fiber Channel



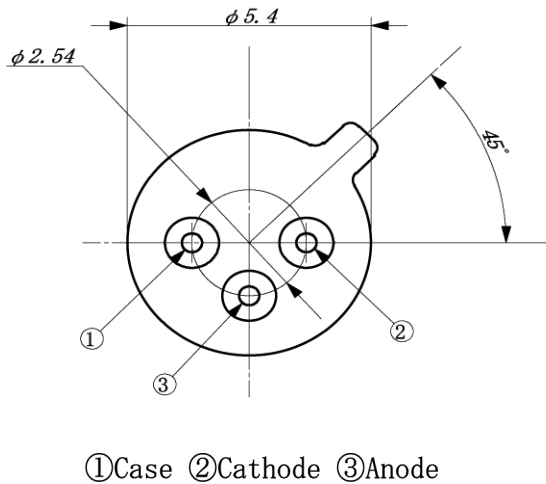
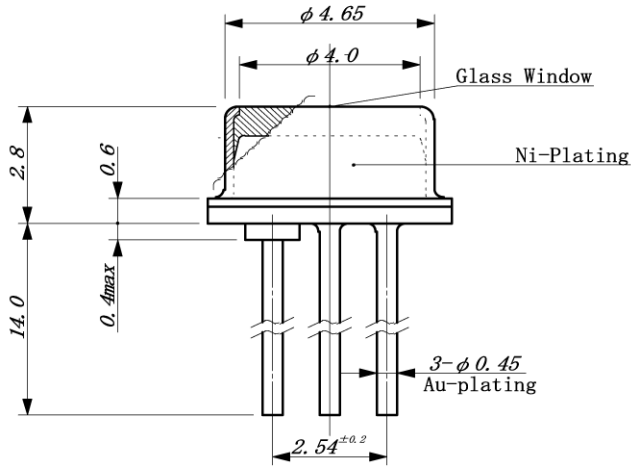
### Absolute Maximum Ratings (Ta=25°C)

| ITEMS                       | SYMBOL | RATINGS    | UNIT |
|-----------------------------|--------|------------|------|
| Active Area                 | Φ      | 1.5        | mm   |
| Operating Temperature Range | Topr   | -40 ~ +85  | °C   |
| Storage Temperature Range   | Tstg   | -40 ~ +125 | °C   |

### Electrical & Optical Characteristics (Ta = 25°C)

| ITEMS                      | SYMBOL | CONDITIONS | MIN | TYP | MAX  | UNIT |
|----------------------------|--------|------------|-----|-----|------|------|
| Breakdown Voltage          | VR     | IR=10μA    | 5   | --  | --   | V    |
| Sensitivity Range          | λ      | VR=0V      | 800 | --  | 1750 | nm   |
| Dark Current               | ID     | VR=2V      | --  | --  | 500  | nA   |
| Junction Capacitance       | Cj     | VR=0V      | --  | 200 | --   | pF   |
| Photo Current at 1300nm *1 | IL     | *2         | --  | 250 | --   | μA   |

\*1: As mounted on TO-46 gold header without resin coating. \*2, VR=5V, Ee=1mW/cm<sup>2</sup>



Unit: mm, Tolerance:  $\pm 0.2$

The information contained herein is subject to change without notice.

2013-02-11