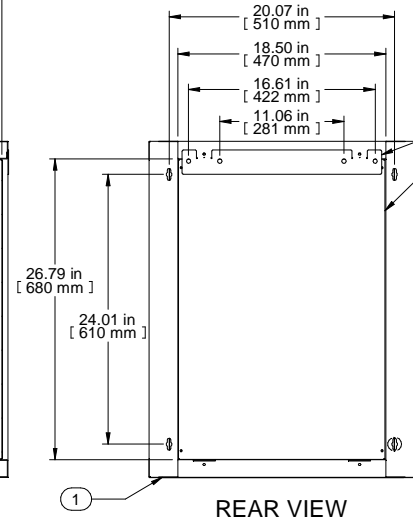
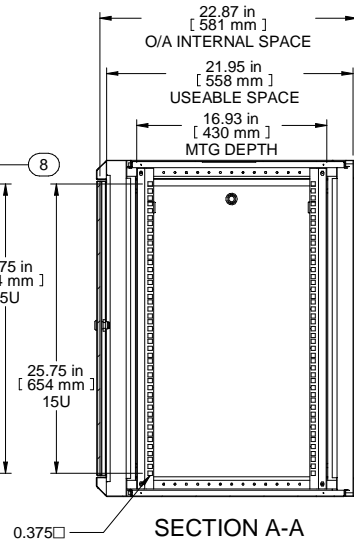
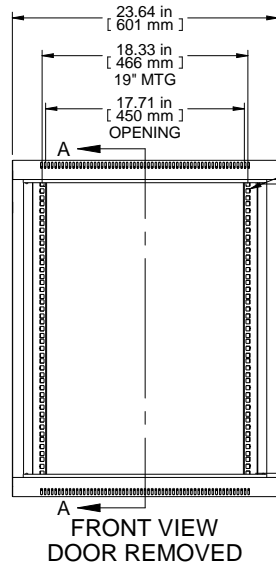
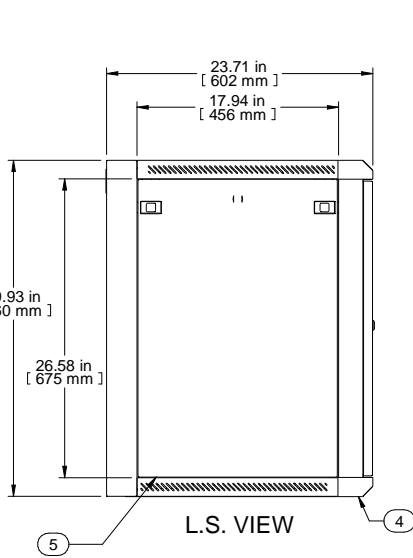
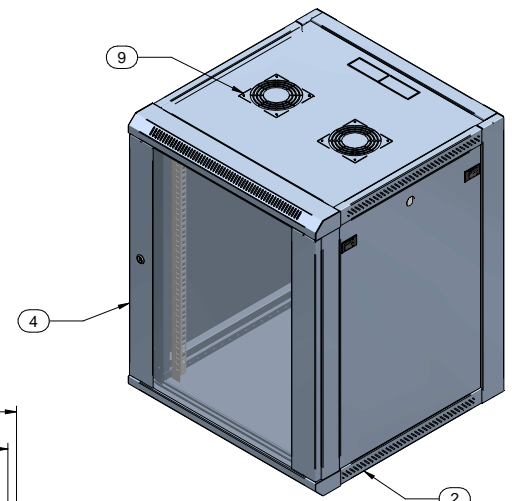
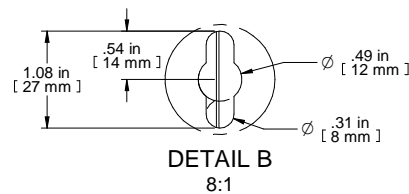
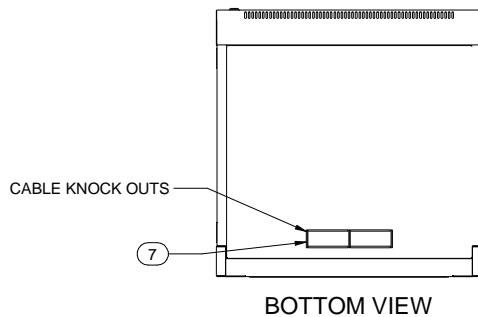


TOP VIEW



Item Number	Title	Quantity
1	REAR FRAME	1
2	SIDE FRAME	2
3	BACK PANEL	1
4	FRONT DOOR ASSEMBLY	1
5	SIDE PANEL	2
6	TOP PANEL	1
7	BOTTOM PANEL	1
8	15U COMBINATION MOUNTING RAIL	4
9	FAN COVER	2
10	WALL MOUNTING BRACKET	1

PART NUMBERS	
WMC1902623BK2	PAINTED BLACK TEXTURED
NOTES	
Shipped knockdown for ease & protection.	



Data subject to change without notice. Isometric drawing not to scale.



www.hammondmfg.com

PART NO.

WMC1902623