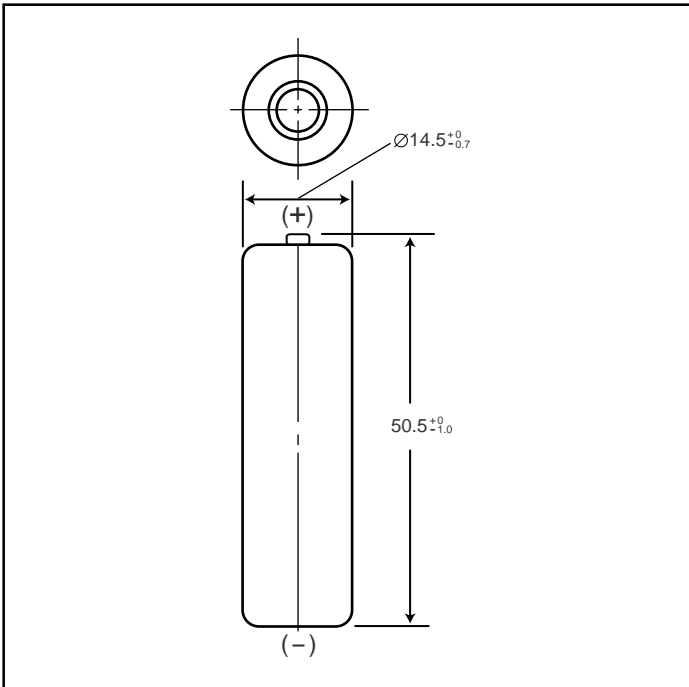


# NICKEL METAL HYDRIDE BATTERIES: INDIVIDUAL DATA SHEET

## HHR210AA/B Cylindrical AA size (HR 15/51)

### Dimensions (with Tube) (mm)



### Specifications

	mm	inch
Diameter	14.5 +0/-0.7	0.57 +0/-0.3
Height	50.5 +0/-1.0	1.99 +0/-0.5
Approximate Weight	Grams	Ounces
	29	1.02

Nominal Voltage		1.2V		
Discharge Capacity*	Average**	2080mAh		
	Rated (Min.)	2000mAh		
Approx. internal Impedance at 1000Hz at charged state.		25mΩ		
Charge	Standard	200mA (0.1It) x 16 hrs.		
	Rapid	1200mA (1It) x 2 hrs.		
Ambient Temperature	Charge	Standard	°C	°F
			0°C to 45°C	32°F to 113°F
	Rapid	0°C to 40°C	32°F to 113°F	
		Discharge		-10°C to 65°C
	Storage	< 1 year	-20°C to 35°C	-4°F to 95°F
		< 3 months	-20°C to 45°C	-4°F to 113°F
< 1 month		-20°C to 55°C	-4°F to 131°F	

\* After charging at 0.1It for 16 hours, discharging at 0.2It.

\*\* For reference only.

Battery performance and cycle life are strongly affected by how they are used. In order to maximize battery safety, please consult Panasonic when determining charge / discharge specs, warning label contents and unit design.

Note: [It] was previously expressed as [C]. [It] is an IEC standard expression for the amount of charge or discharge current and is expressed as:

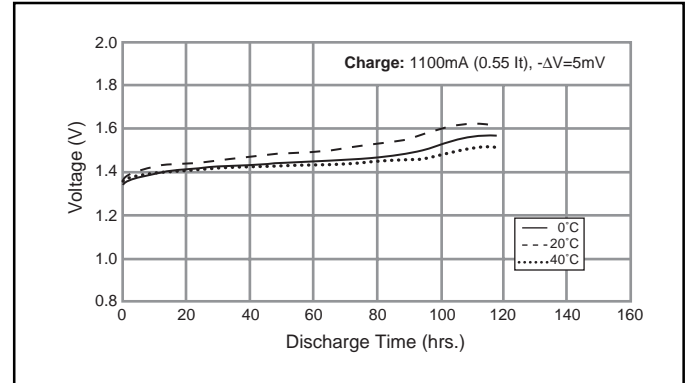
$$It(A) = Cn (Ah)/1h$$

\* [It] is the reference test current in amperes

\* [Cn] is the rated capacity of the cell or battery in Ampere-hours.

n = the time base [hours] for which the rated capacity is declared

### Typical Charge Characteristics



### Typical Discharge Characteristics

